

# Zoom Flex Outdoor Billboard

## ZOOM-FLX-OD-BB

The Zoom™ Flex Outdoor Billboard is a strong, flexible billboard perfect for outdoor promotions and events. Features include sturdy base plates on the inside of the unit and tube frame construction with flexible fiberglass poles near the top, which allow the display to move with the wind. Add sand bags for added stability.



## features and benefits:

- Sturdy and flexible outdoor billboard
- Indoor / outdoor use
- Tubular frame / fiberglass flexible poles
- Choice of single or double-sided graphics
- Kit includes: frame, dye-sublimated graphic
- One year hardware warranty against manufacturer defects
- Wind Rating: 14 MPH

## dimensions:

### Hardware

### Graphic

Assembled unit:  
106" w x 78.74" h x 32" d  
2693mm(w) x 2000mm(h) x 813mm(d)

Refer to related graphic template for more information.

Approximate weight:  
23 lbs / 11 kg

Six month warranty.

Visit:  
<https://www.theexhibitorshandbook.com/download-graphic-templates>

### Shipping

## additional information:

Packing case(s):  
1 OCB-2

Graphic material:  
Dye-sublimation zipper pillowcase fabric

34 - 55" l x 19" h x 8" d  
864 - 1397mm(l) x 483mm(h) x 204mm(d)

When included in a larger kit, a different packaging solution will be listed to accommodate all contents of the kit. Individual packaging no longer provided.

Approximate total shipping weight:  
37 lbs / 17 kg

Washing Instructions:  
Cold water/Gentle Cycle  
Hang Dry/Graphic will shrink in dryer



This product may include the following materials for recycle:  
aluminum, select wood, fabric, cardboard, paper, steel, and plastics.

2 person assembly recommended:



We are continually improving and modifying our product range and reserve the right to vary the specifications without prior notice. All dimensions and weights quoted are approximate and we accept no responsibility for variance. E&OE. See Graphic Templates for graphic bleed specifications.

# Included In Your Kit

Tools, Components, & Connectors



ZOOM-FLX-OD-BB-FT x4



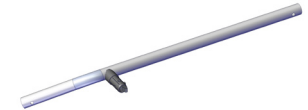
ZOOM-FLX-OD-BB-CENTER CORD



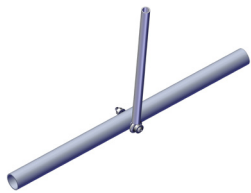
ZOOM-FLX-OD-BB-ROD-C x4



ZOOM-FLX-OD-BB-T3 x2



ZOOM-FLX-OD-BB-T1 x2



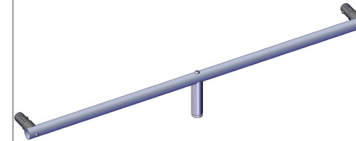
ZOOM-FLX-OD-BB-ASM-4 x2



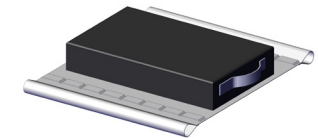
ZOOM-FLX-OD-BB-ROD-A x2



ZOOM-FLX-OD-BB-ASM-2 x2



ZOOM-FLX-OD-BB-ASM-5 x2



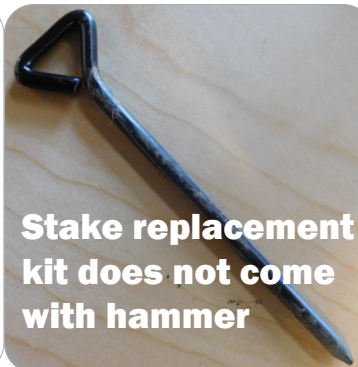
ZOOM-FLX-OD-BB-I-BG x2



ZOOM-FLX-OD-BB-ASM-5 x2

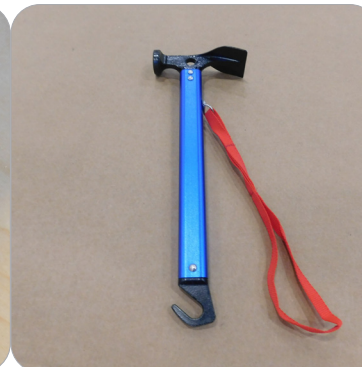


ZOOM-FLX-OD-BB-ROD-D x2



**Stake replacement kit does not come with hammer**

ZOOM-FLX-OD-BB-STAKE-KIT x8



ZOOM-FLX-OD-BB-H x1

# Included In Your Kit

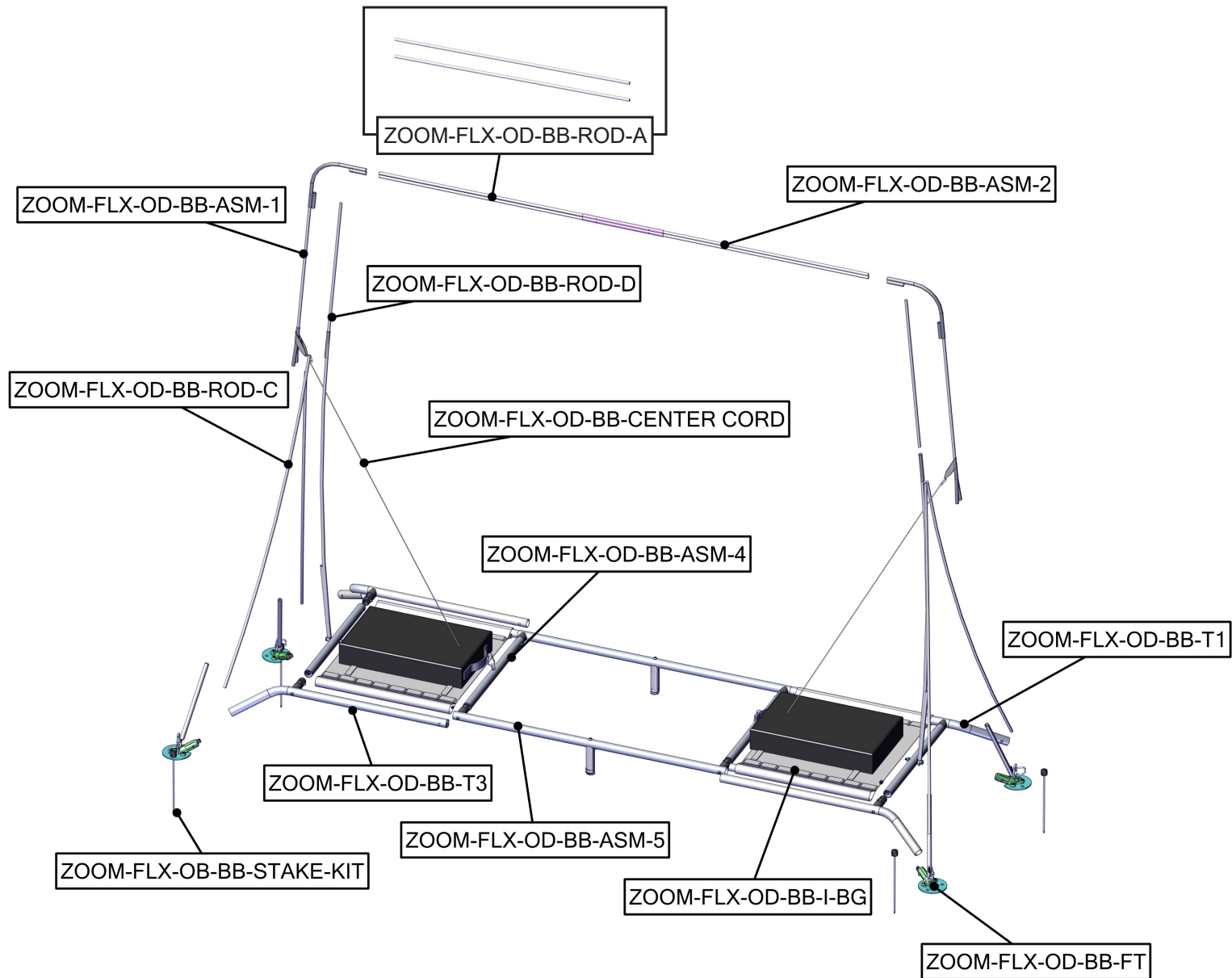


ZOOM-FLEX-OD-BB-G X1

Graphics

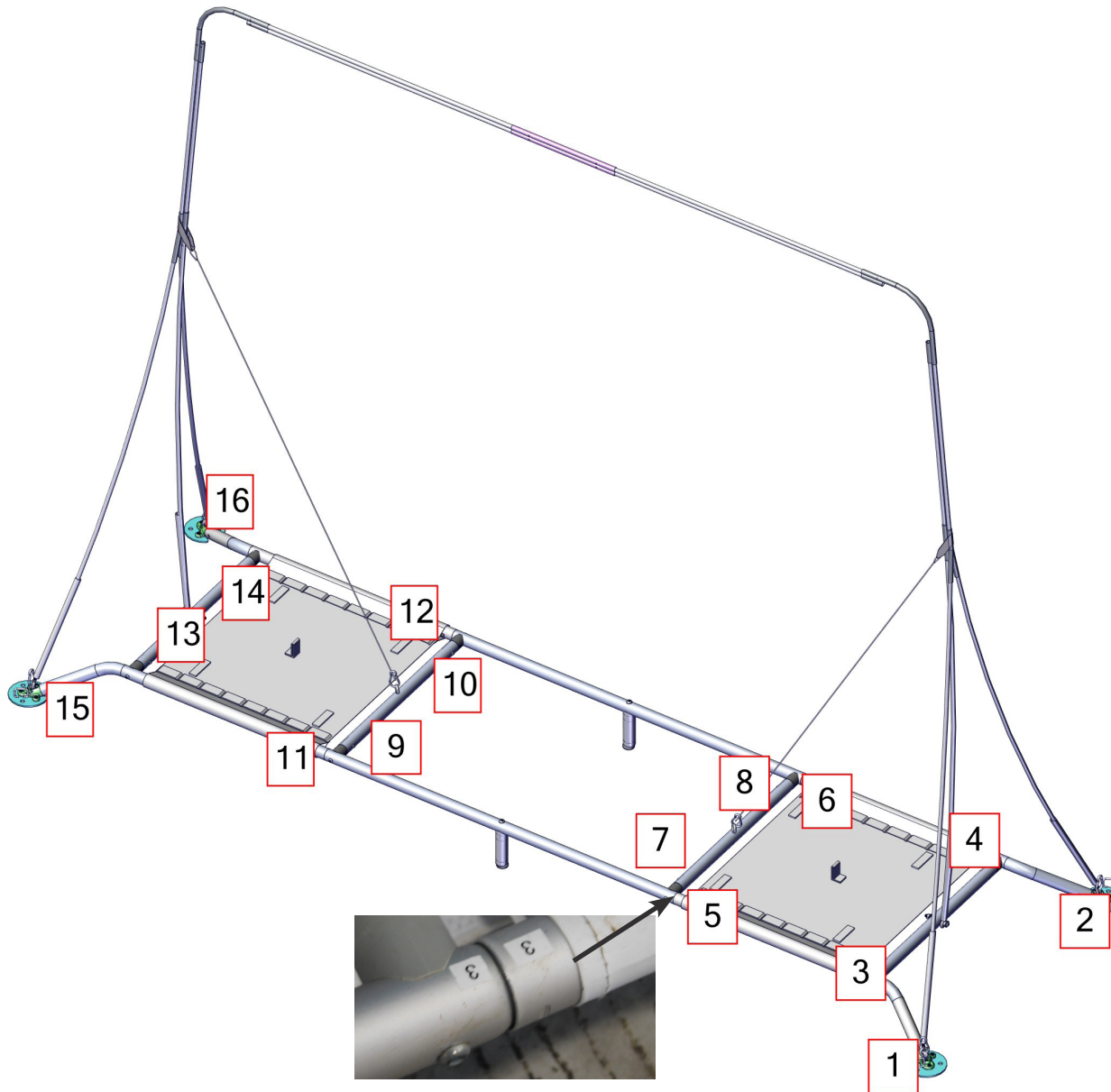
# Exploded View

ZOOM-FLX-OD-BB



# Labeling Diagram

ZOOM-FLX-OD-BB



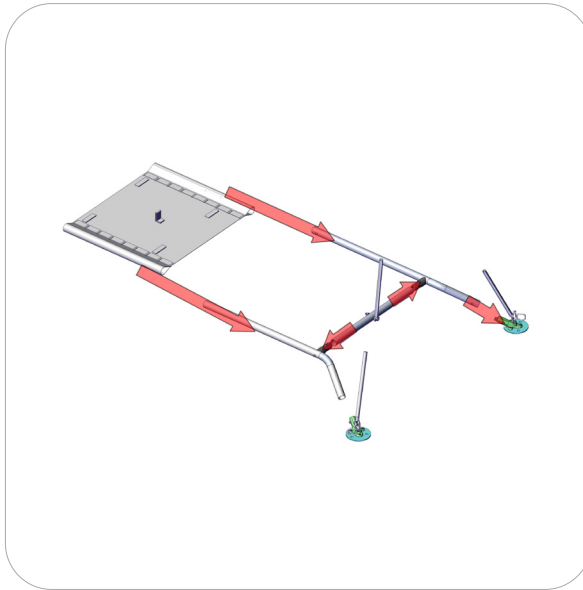
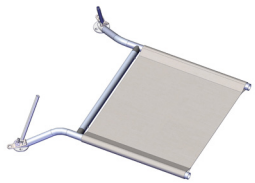
# Kit Assembly

## Step by Step

### Step 1.

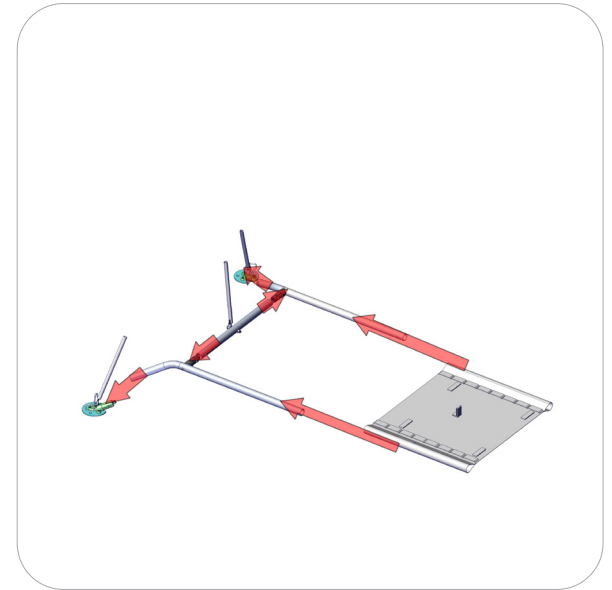
Reference the exploded view and labeling diagram to assemble the right bottom base section (section 1).

Once you have connected the tubes and the feet slide the canvas graphic onto the tubes of the base via the pole pockets.



### Step 2.

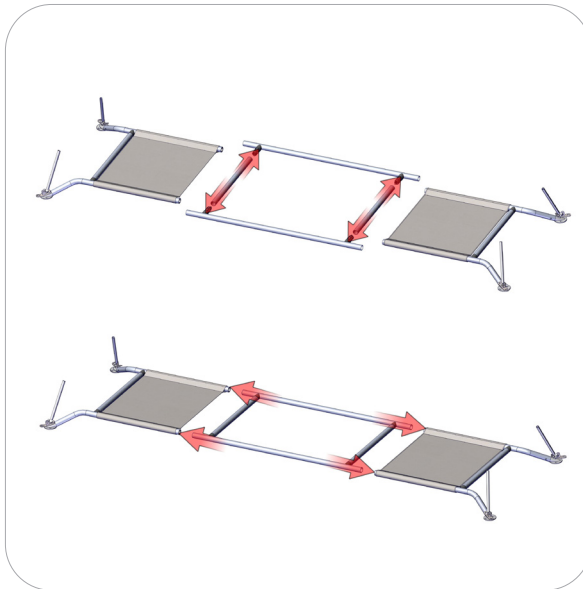
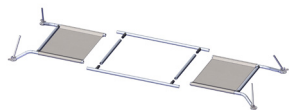
Repeat step 1 to assemble the left bottom base section (section 2).



### Step 3.

Reference the exploded view and labeling diagram to assemble the center section of the base (section 3).

Assemble the base by attaching all 3 sections together.

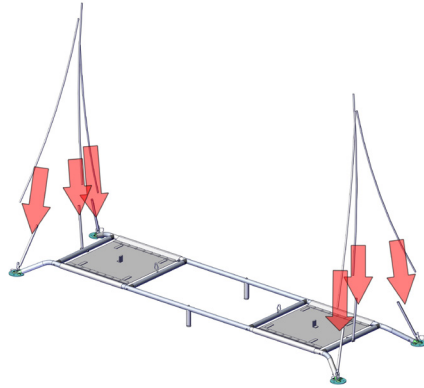
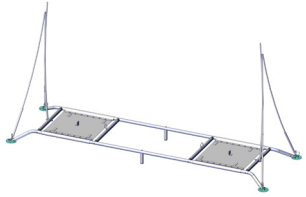


# Kit Assembly

## Step by Step

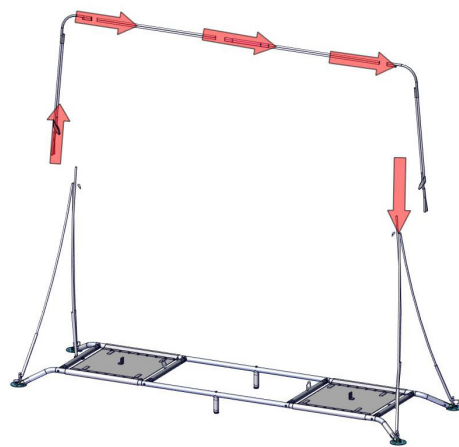
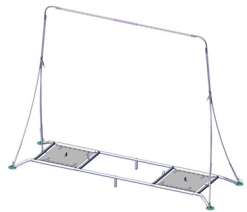
### Step 4.

Gather the 6 Rod C's and insert them into the tubes that are connected to the base of the frame.



### Step 5.

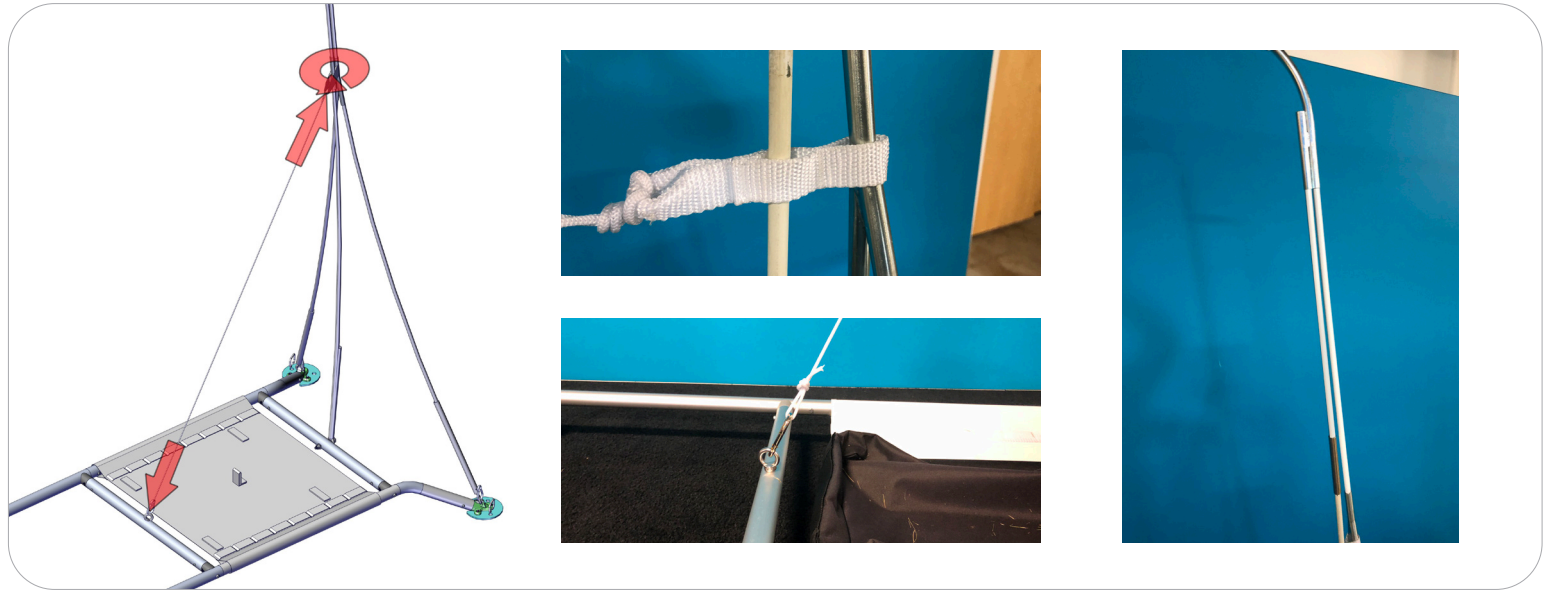
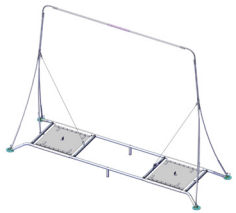
Assemble the top section of fiber rod assemblies 1 & 2 along with the 2 individual rod A's in the sequence shown connecting them to the bottom rods (Rod C's) during this sequence.



### Step 6.

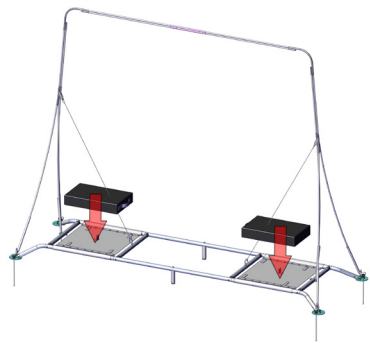
Be sure to insert the top of the middle rod through the open loophole as shown in the images.

Connect Rod D's to the middle Rod C's and the top assembly on both sides as shown.



### Step 7.

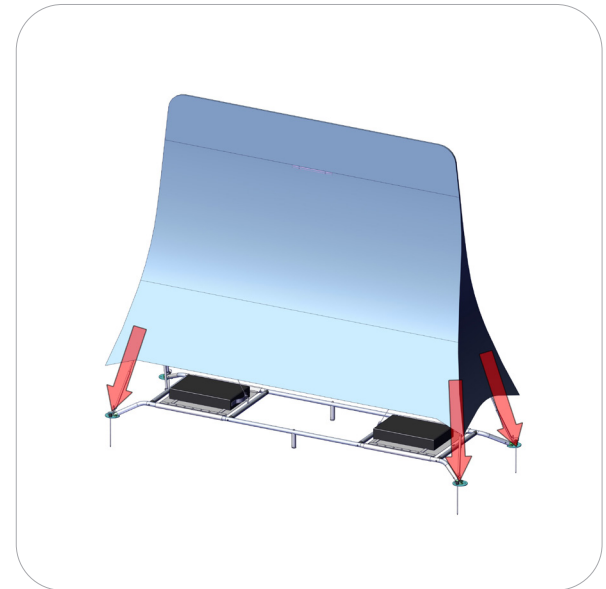
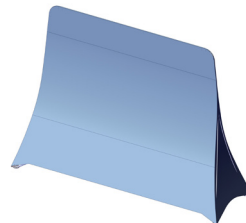
Attach the waterproof bags to the two canvas sections via the buckle straps.



**Each bag can only hold up to 50lbs. max or half full. Any heavier could damage frame**

### Step 8.

Slide the graphic over the frame.



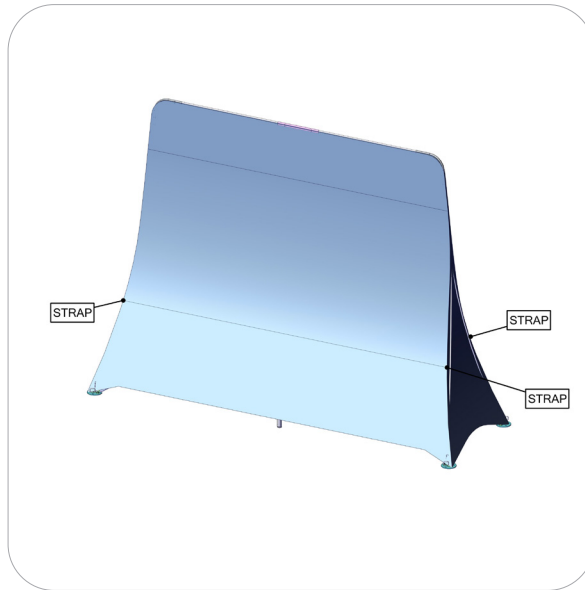


# Kit Assembly

## Step by Step

### Step 9.

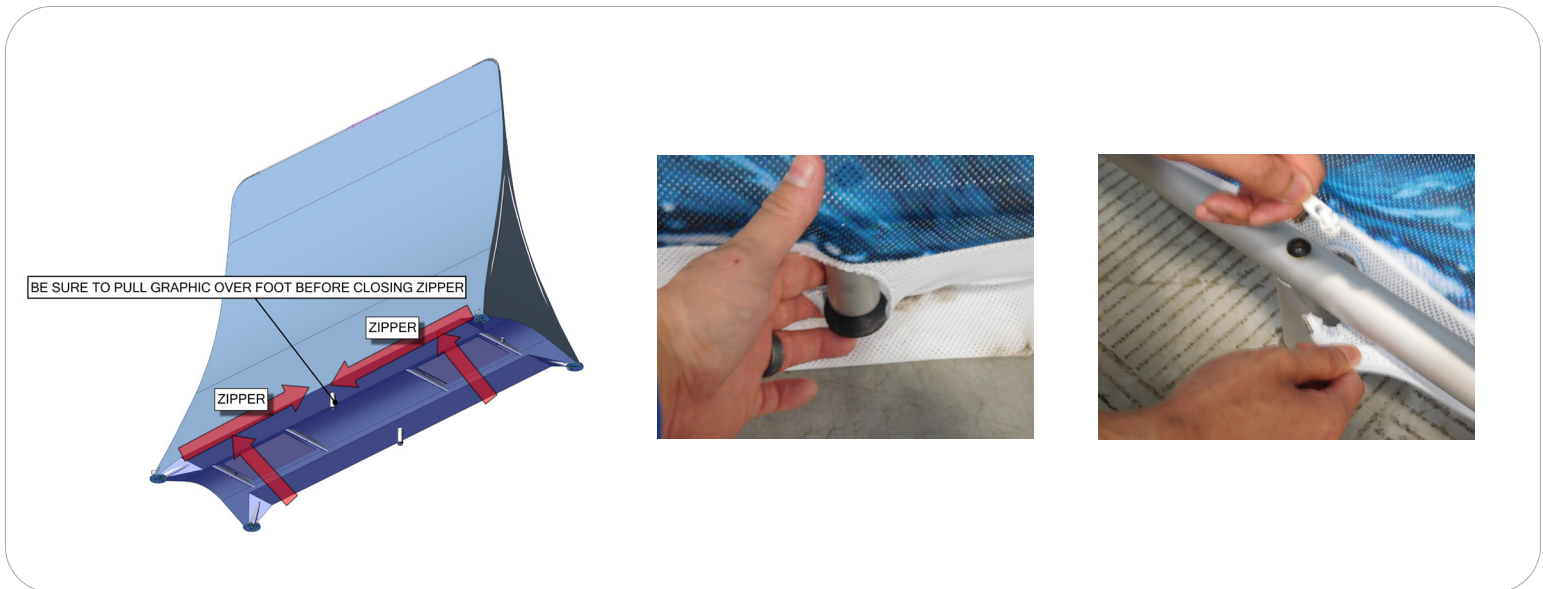
Lay graphic over top of frame then slowly pull down frame. Attach hook and loop strap as shown in picture below. Make sure to leave the straps loose. 2 people suggested for this step to prevent damaging graphic.



### Step 10.

Once graphic is in place, pull hoop straps down and attach to hook on base foot.

When zipping the bottom of the graphic closed, make sure the foot on the back side has been placed through the pre-made hole in the graphic before pulling the graphic to the front.



# Kit Assembly

## Step by Step

### Step 11.

Once in place close the graphic flap with the zipper.

Setup is complete.



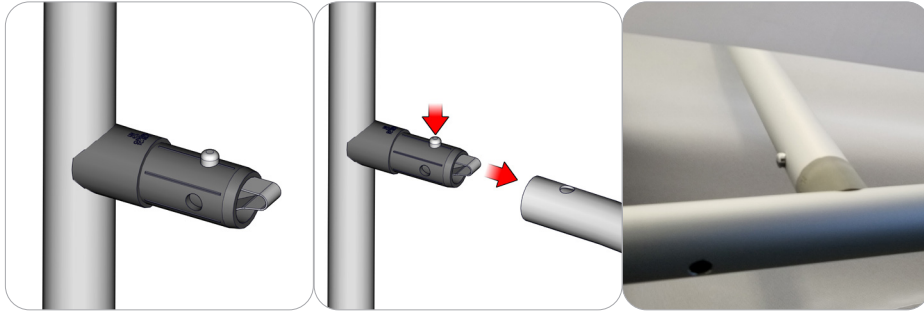
### Step 12. (Optional)

Push/Hammer in stakes through base foot holes to secure in place.



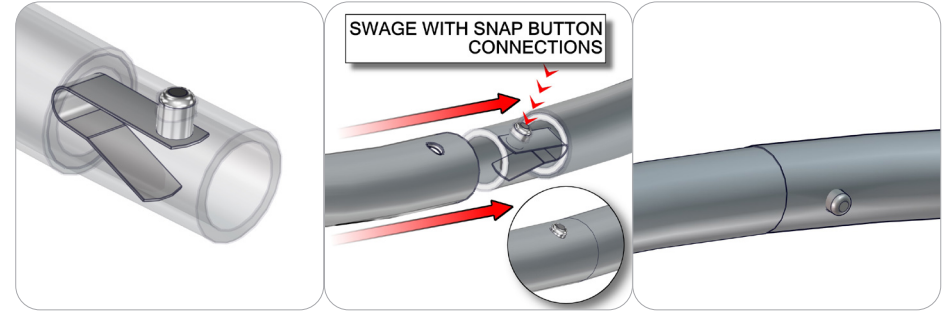
# Connection Methods

## Connection Method 1: TC-30-C



First, gather needed components for assembly. Next press button on TC-30-C, then insert tube into place. Once in place button should snap in place.

## Connection Method 2: PMFC2 / PHFC2



First, press button to insert the swage tube into the proper tube. The button will snap in place. Connection is complete.