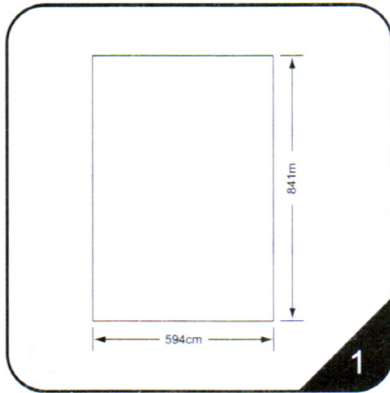


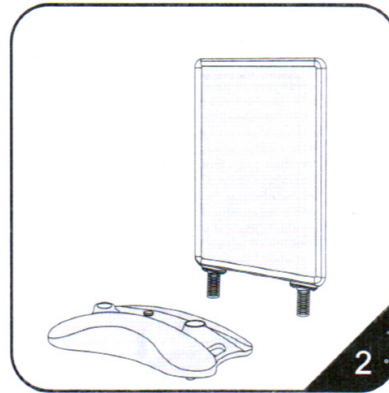
Water Base Snap Frame

- Quick Instructions



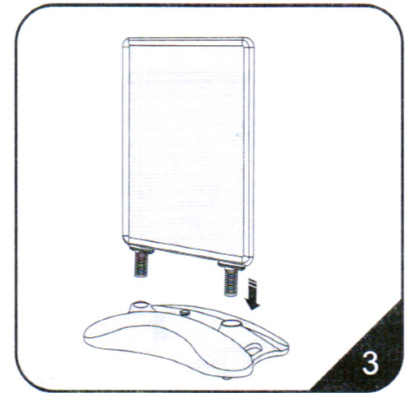
STEP 1

The poster size is 23.38' x 33.11' high.



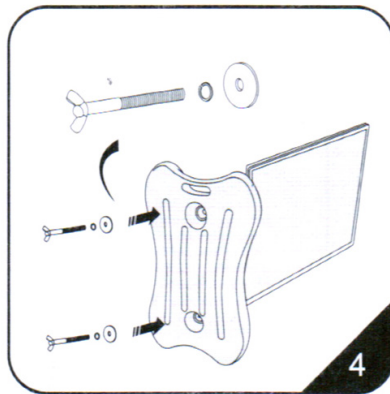
Step 2

The carton will contain a water-fill base and a poster frame.



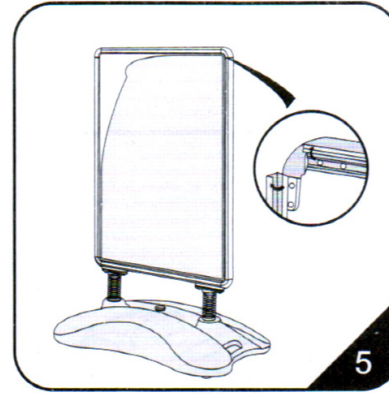
Step 3

Insert the legs of the poster frame into the holes of the water-fill base.



Step 4

Resting the poster frame on the ground, use the fixings shown to attach the water-fill base to the poster frame.



Step 5

Open the poster frame sides and remove the poster cover.



Step 6

Place the poster behind the poster cover and refit. The sign is ready to be moved.



Step 7

Please put water or sand in the base.

