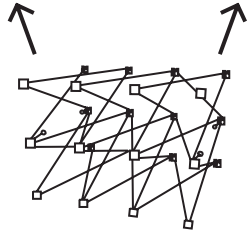


Frame Assembly

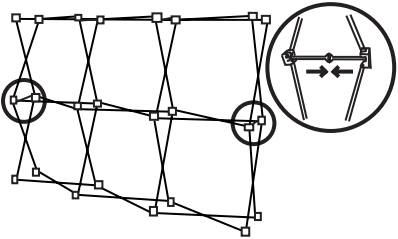
1



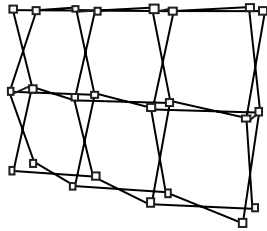
2



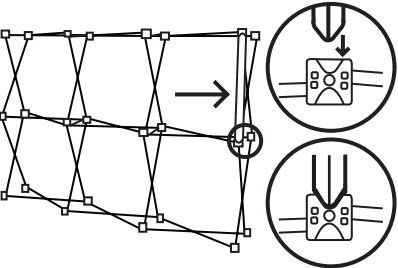
3



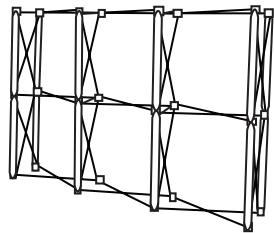
4



5

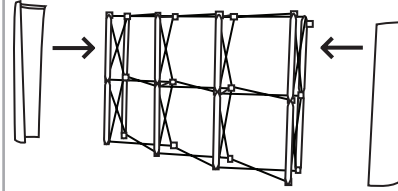


6

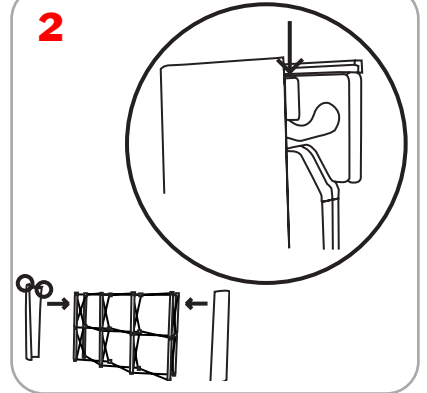


Graphic Application

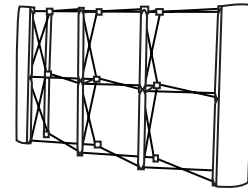
1



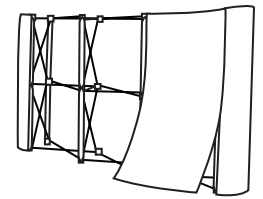
2



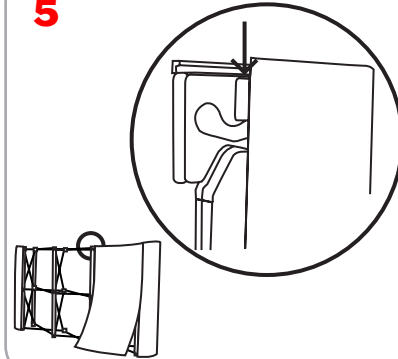
3



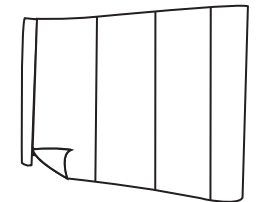
4



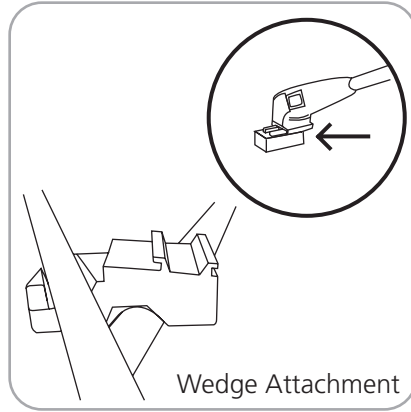
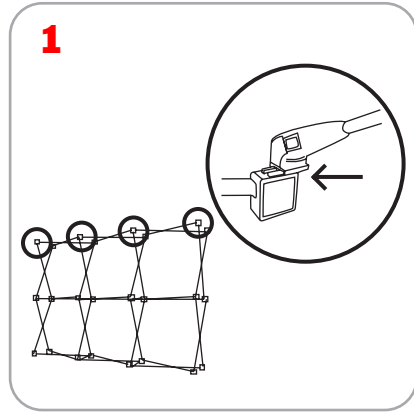
5



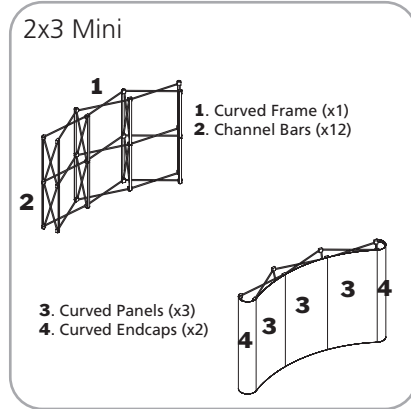
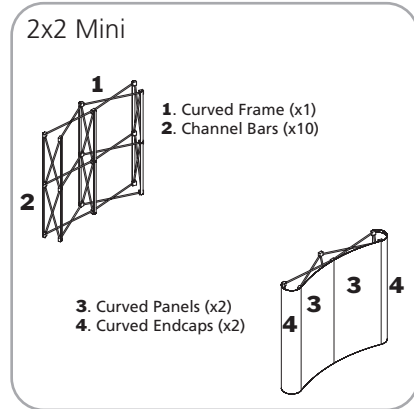
6



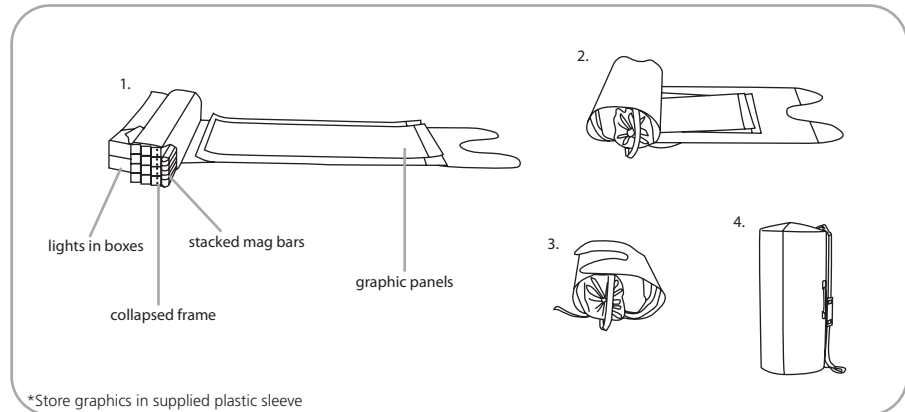
Lights



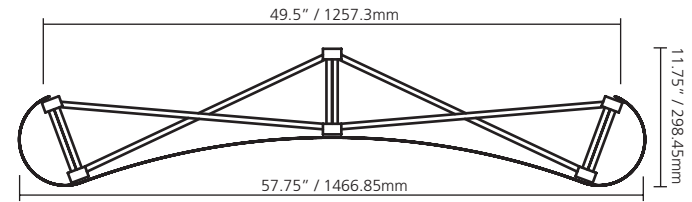
Panel Placement



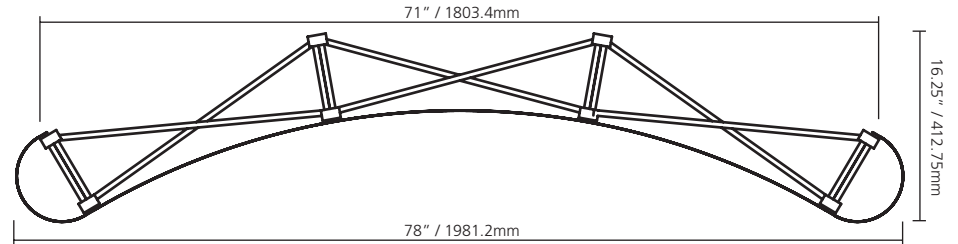
Repacking



2x2 Coyote Mini



3x2 Coyote Mini



2x2 Coyote Mini Kit Includes:

(x1) 2x2 Frame

(x10) Channel Bars

(x2) Endcap Panels

(x2) Front Curved Panels

(x2) Lumina 1 Black Spotlights
(unless another light specified)

(x1) Padded Carry Case

3x2 Coyote Mini Kit Includes:

(x1) 3x2 Frame

(x12) Channel Bars

(x2) Endcap Panels

(x3) Front Curved Panels

(x2) Lumina 1 Black Spotlights
(unless another light specified)

(x1) Padded Carry Case