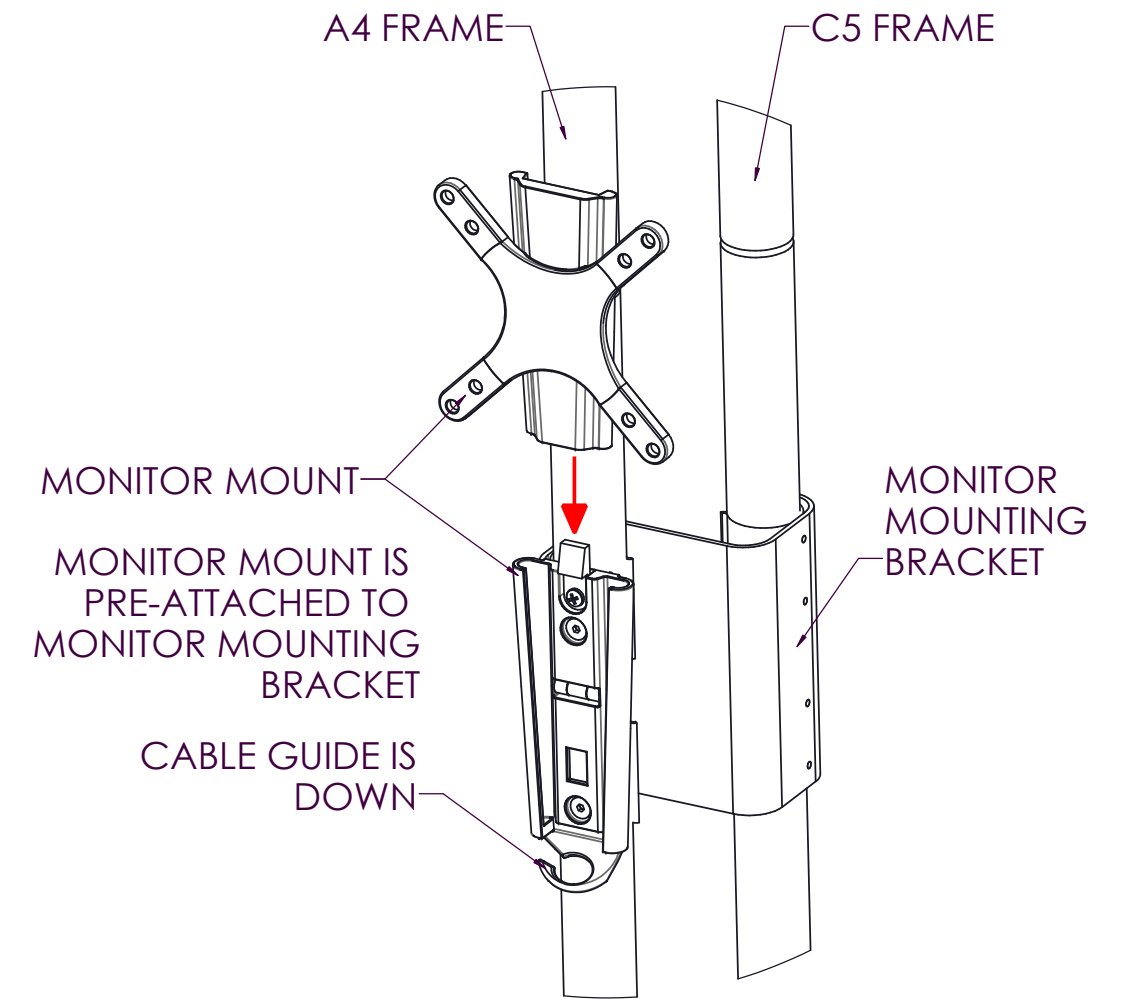
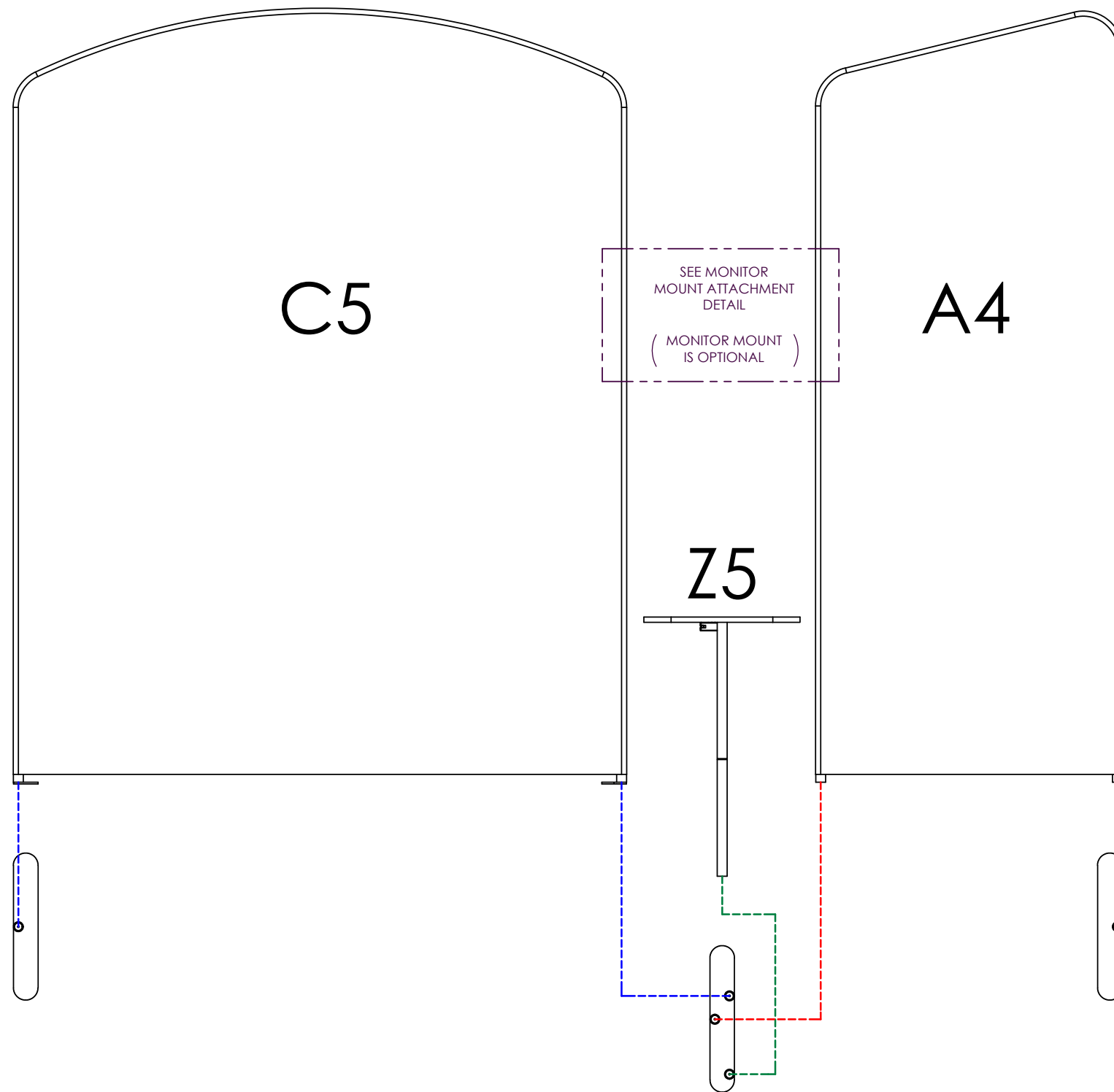


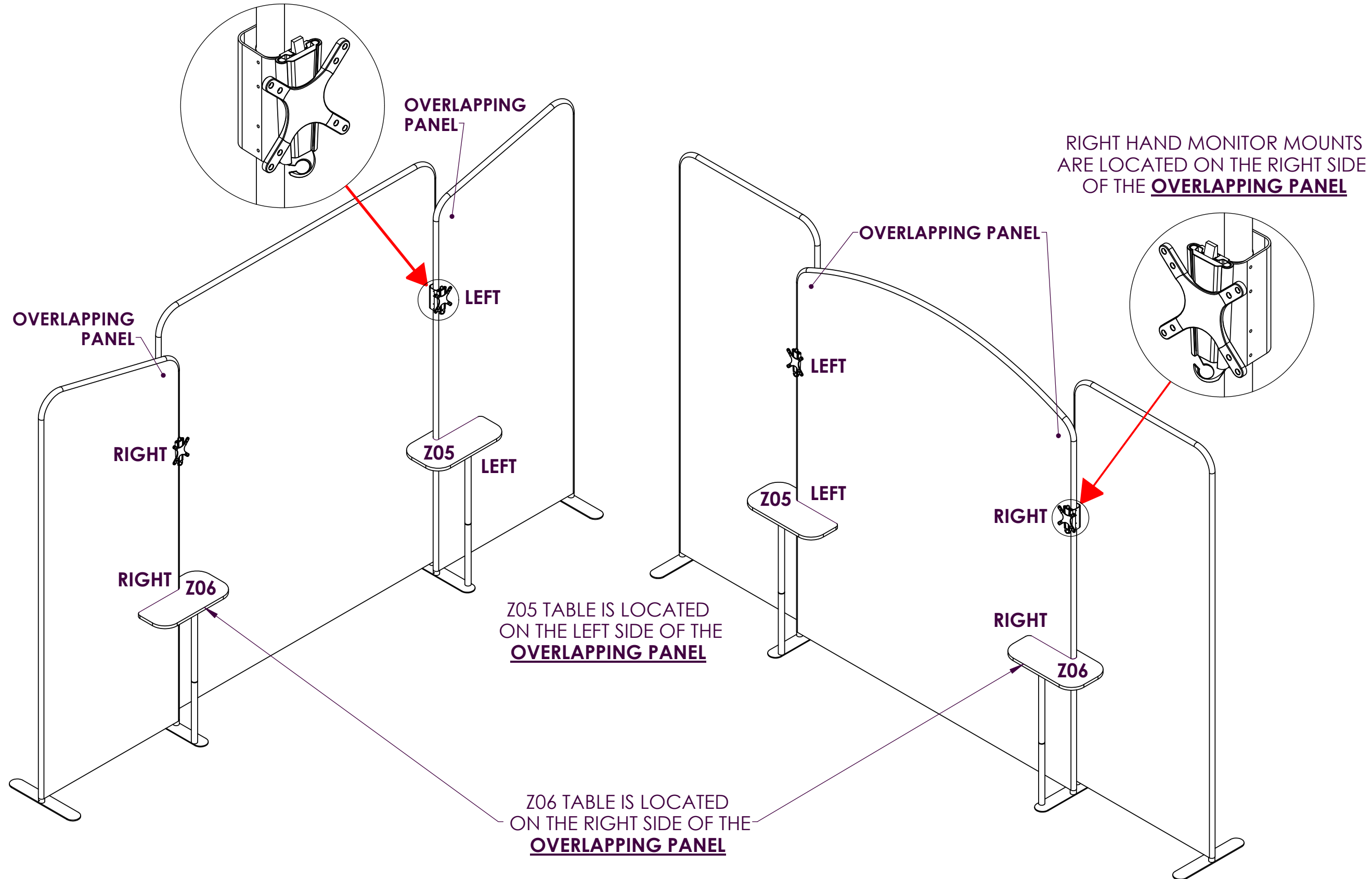
ENSEMBLE KIT ASSEMBLY DIAGRAM

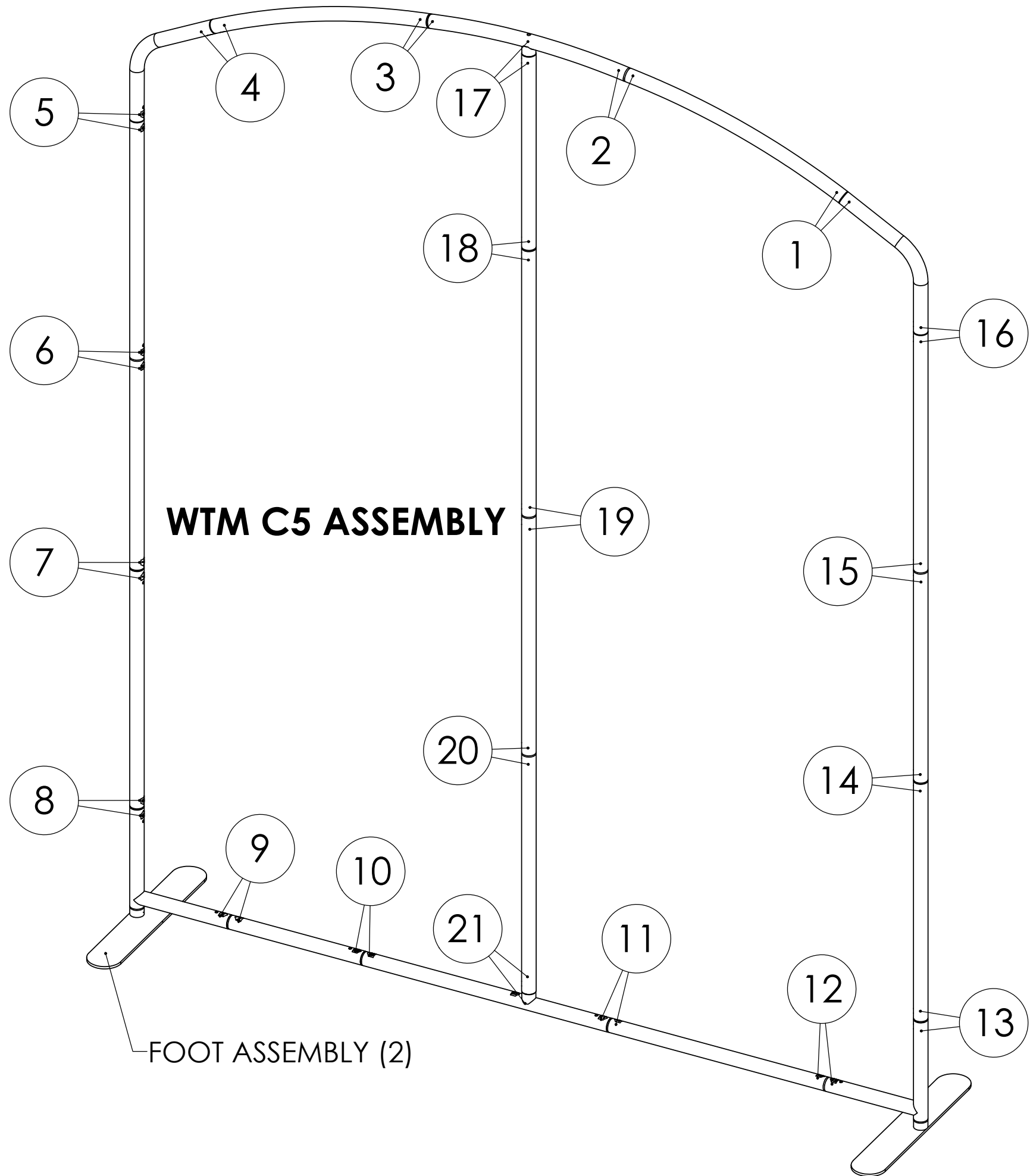


**MONITOR MOUNT
ATTACHMENT
DETAIL**
(MONITOR MOUNT IS OPTIONAL)

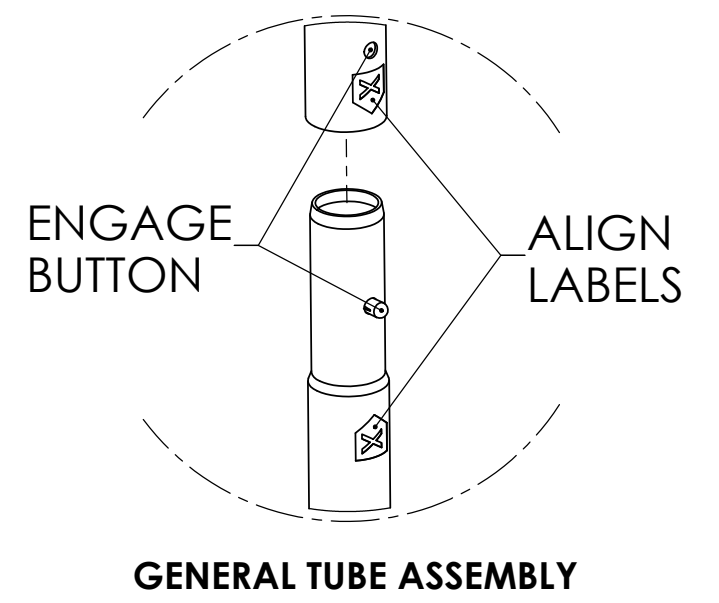
LEFT HAND MONITOR MOUNTS
ARE LOCATED ON THE LEFT SIDE
OF THE OVERLAPPING PANEL

HOW TO DETERMINE IF YOU NEED A LEFT OR RIGHT SIDE MONITOR MOUNT OR TABLE

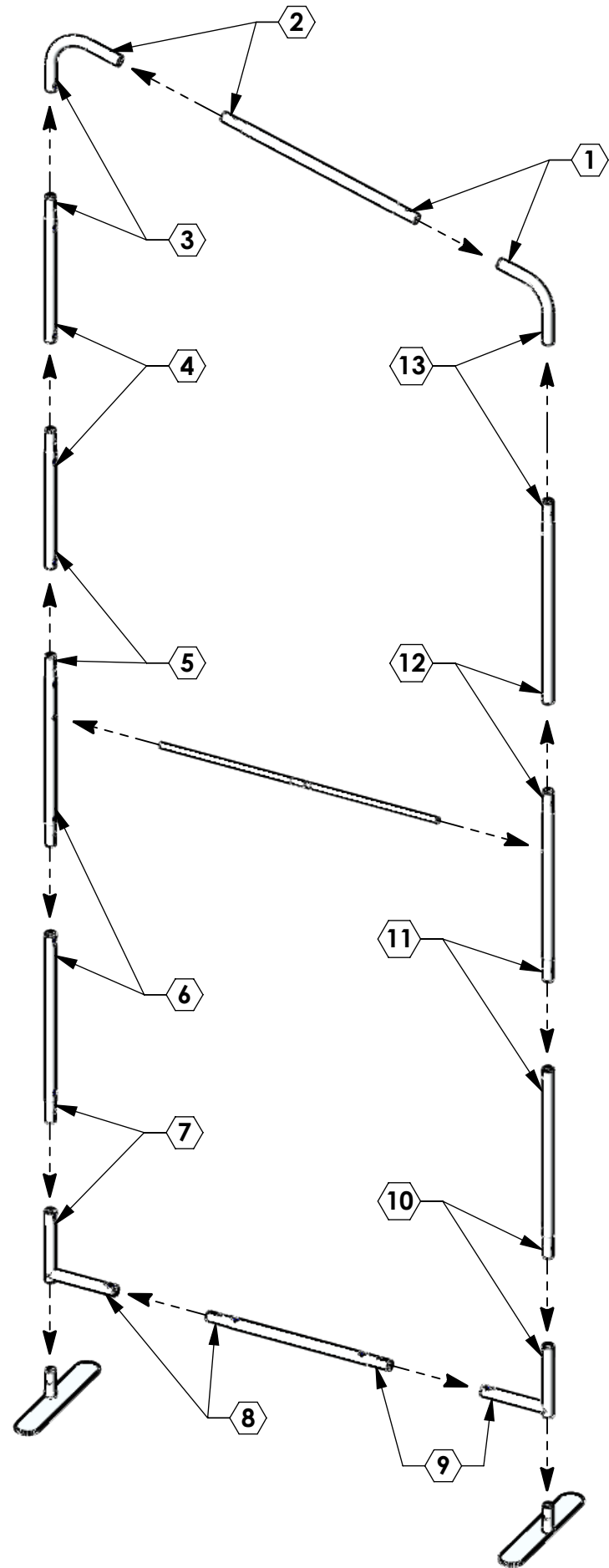




FOOT ASSEMBLY (2)



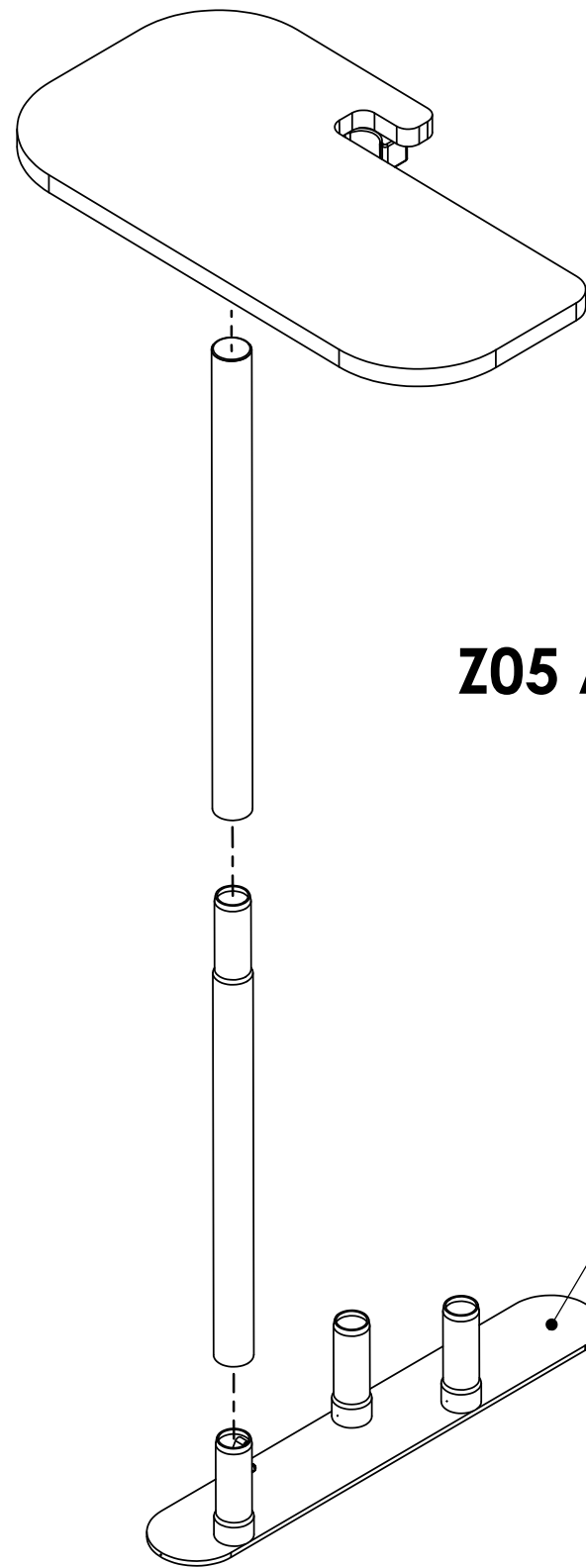
- NOTES: UNLESS OTHERWISE SPECIFIED**
- 1. MATCH NUMBERED LABELS AS SHOWN.**
 - 2. FEET STYLE MAY VARY.**



NOTES: UNLESS OTHERWISE SPECIFIED:

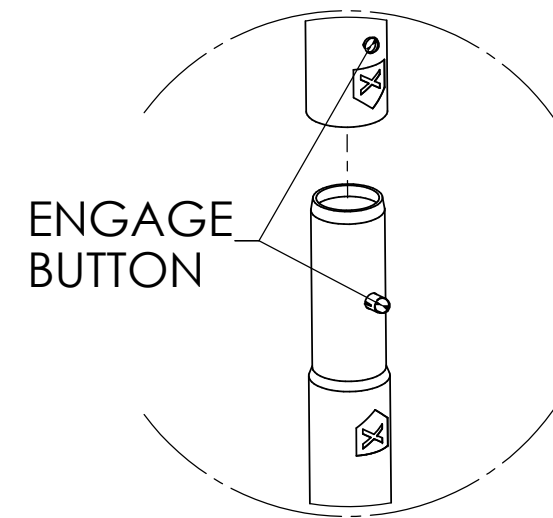
1. ASSEMBLY TIME: 1 HOUR WITH 1 PERSON.
2. NUMBERED HEXAGONS MATCH THE NUMBERED

LABELS ON EACH PART DURING ASSEMBLY. 3. FEET STYLE MAY VARY.



Z05 ASSEMBLY

FOOT ASSEMBLY



ENGAGE
BUTTON

GENERAL TUBE ASSEMBLY