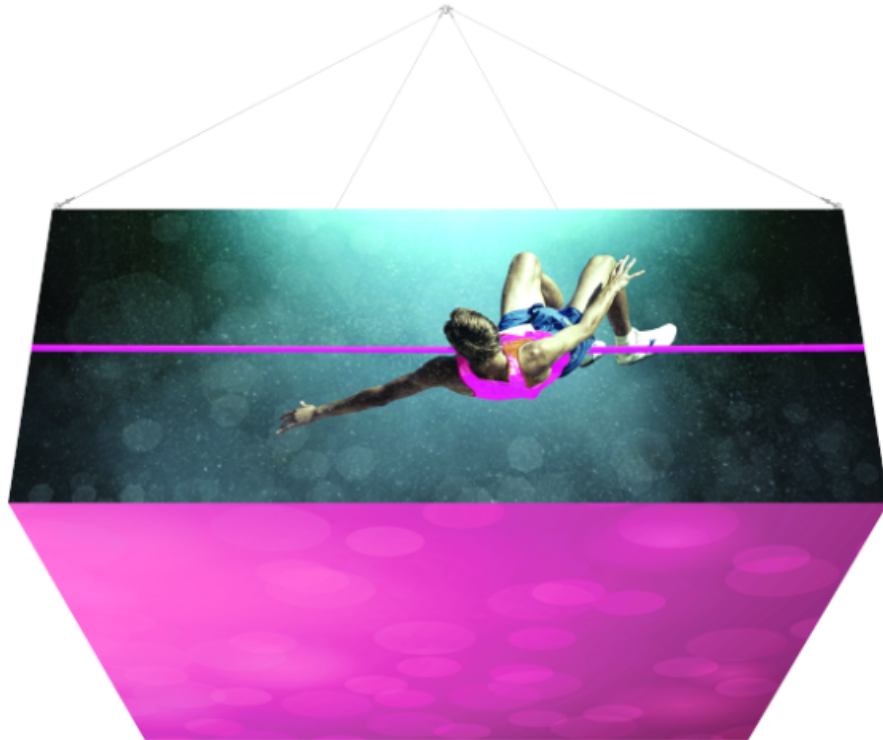


Backlit Square 1004 - Hanging

Make messages and brands stand out with the Formulate® Backlit Ring Hanging Structure 0804. The pillowcase fabric graphic zips over the lightweight aluminum tube frame, which measures 8' diameter and 4' tall. The structure features LED lighting in the center, making messages shine from up close and far away.



features and benefits:

- 10'W x 10'L x 4'H
- Constructed with 30mm (1 1/8") tubes and push-button connectors for simple assembly
- LED lighting is suspended in the middle of the structure
- Engineer certified (structural engineer certificate available upon request)
- Zipper pillowcase fabric graphic with bottom panel
- Comes with hanging cables
- Collapses to a fraction of its size and easy to store & ship
- Comes in a box or case

dimensions:

Hardware	Shipping
<p>Assembled unit:</p> <p>120"w x 48"h x 120"d 3048mm(w) x 1219mm(h) x 3048mm(d)</p> <p>Approximate Weight: 125 lbs / 46 kg</p>	<p>Packaging - 1 Box: Shipping dimensions: 1x BOX: 16"L x 52"H x 16"D (406.4mm x 1245mm x 406.4mm)</p> <p>Approximate shipping weight: 135 lbs / 50.4 kg</p>
<p>Graphics</p> <p>Graphic material: Backlit Textile (dye-sublimated fabric) or Intensity (UV printed)</p> <p>See graphic templates for graphic sizes.</p>	<p>Packed in optional OCE2 Case: Shipping dimensions: 1 x BOX: 17"L x 52"H x 17"D 431.8mm(l) x 1245mm(h) x 431.8mm(d)</p> <p>Approximate shipping weight: 159 lbs / 61.3 kg</p>
<p>Refer to related graphic templates for more information Visit:</p> <p>https://www.theexhibitorshandbook.com/downloads/download-graphic-templates or click here</p>	<p>additional information:</p>

We are continually improving and modifying our product range and reserve the right to vary the specifications without prior notice. All dimensions and weights quoted are approximate and we accept no responsibility for variance. E&OE. See Graphic Templates for graphic bleed specifications

SET UP INSTRUCTIONS:

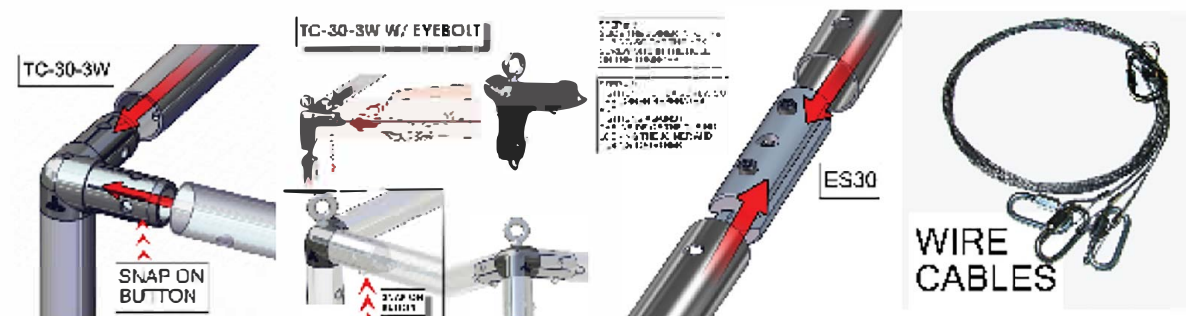
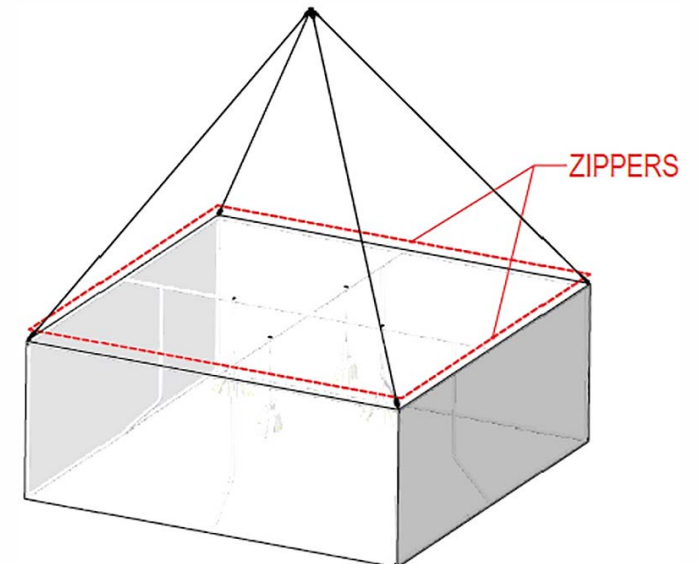
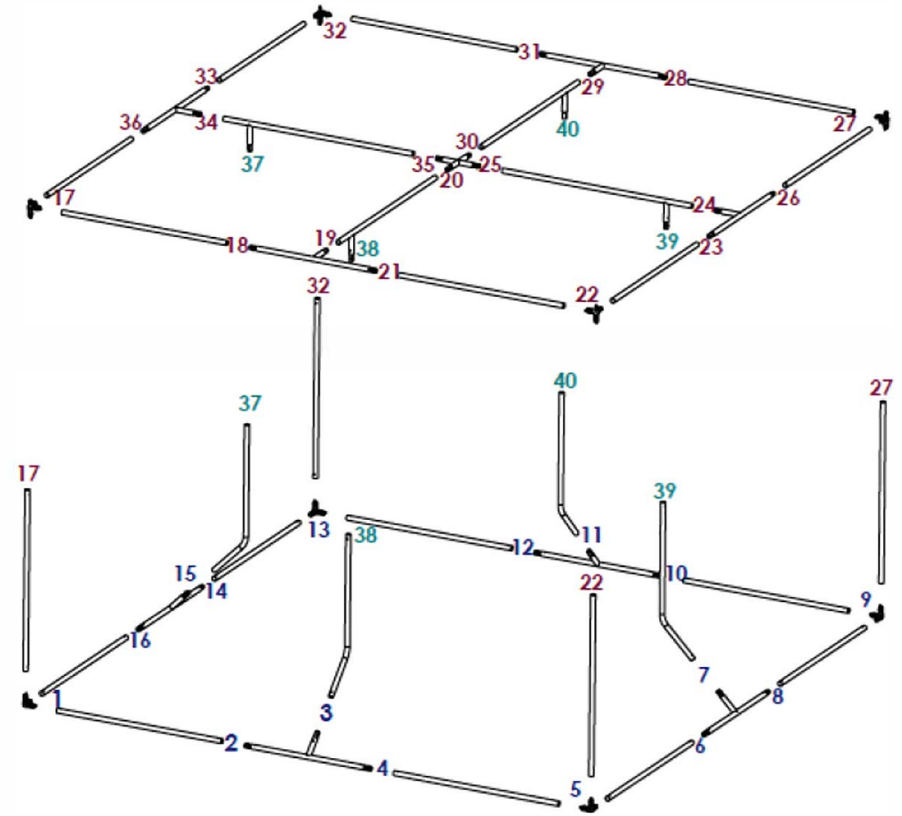
1. CONNECT BOTTOM AND TOP TUBES FOLLOWING THE LABELS
2. CONNECT SIDE TUBES
3. CLEAN THE FRAME AND PLACE THEM ON CLEAN PLACE
4. CAREFULLY REMOVE FABRIC COVER FROM BAG
5. PLACE COVER AROUND THE BOTTOM OF THE FRAME
6. PULL COVER CAREFULLY UP TO THE TOP
7. CLOSE ALL ZIPPERS
8. ADJUST FABRIC AROUND THE FRAME
9. CONNECT CABLE HARNESS TO THE EYEBOLTS
10. COMPLETELY TIGHTEN THREADED CONNECTORS

BREAK DOWN INSTRUCTIONS:

REVERSE SET-UP STEPS TO BREAKDOWN FRAME

FABRIC CARE INSTRUCTIONS:

1. UNZIP COVER ZIPPERS
2. CAREFULLY REMOVE FABRIC COVER
3. CLOSE ALL ZIPPERS
4. FOLD OR ROLL NEATLY
5. PLACE FABRIC IN COVER BAG

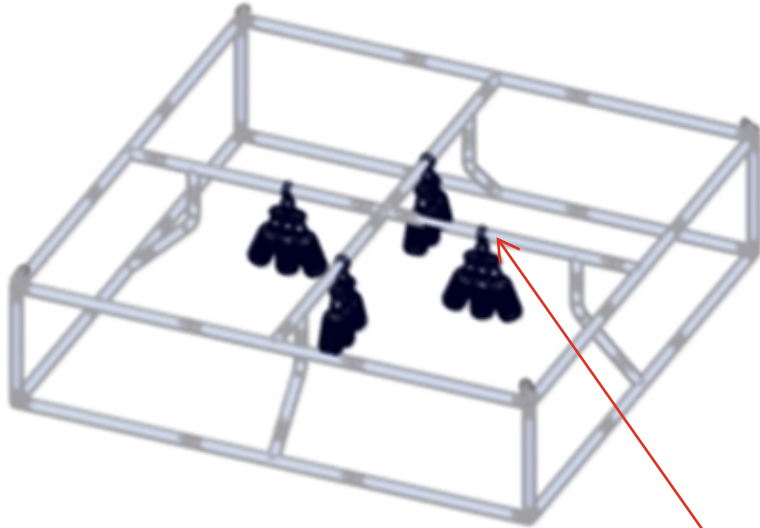


LIGHT SET UP INSTRUCTIONS:

10' Socket Cord

3 Socket Light Fixture

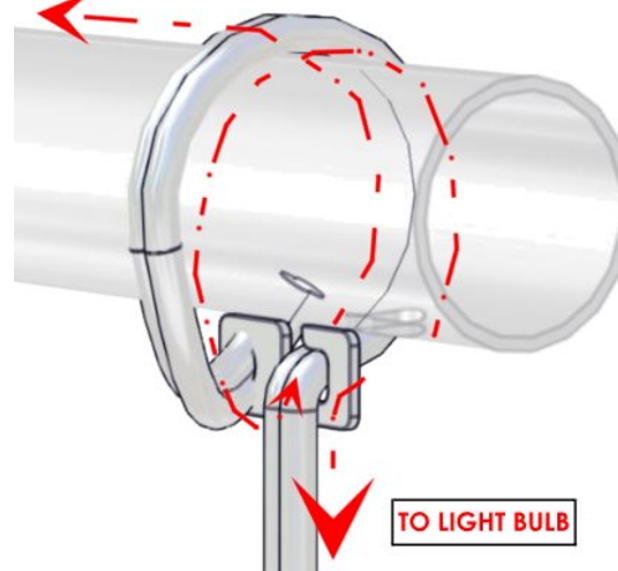
24W



TUBE CORD CLIP



TO POWER SUPPLY



CORD WRAPS AROUND TUBE



TO LIGHT BULB