

Backlit Ring 1004 - Hanging

Make branding and images glow with the Formulate® Backlit Ring Hanging Structure 1004. This illuminated structure features a simple tube frame, an LED light that hangs in the center and zipper pillowcase fabric graphics. Durable for use again and again. The ring is 10' diameter and 4' tall.



features and benefits:

- 10'Dia. x 4'H
- Constructed with 30mm (1 1/8") tubes and push-button connectors for simple assembly
- LED lighting is suspended in the middle of the structure
- Engineer certified (structural engineer certificate available upon request)
- Zipper pillowcase fabric graphic with bottom panel
- Comes with hanging cables
- Collapses to a fraction of its size and easy to store & ship
- Comes in a box or case

dimensions:

Hardware	Shipping
<p>Assembled unit:</p> <p>120"w x 48"h 3048mm(w) x 1219mm(h)</p> <p>Approximate Weight: 92 lbs / 41.8 kg</p>	<p>Packaging - 1 Box: Shipping dimensions: 1x BOX: 16"L x 51"H x 16"D (406.4mm x 1295mm x 406.4mm)</p> <p>Approximate shipping weight: 102 lbs / 46.4 kg</p>
<p>Graphics</p> <p>Graphic material: Backlit Textile (dye-sublimated fabric) or Intensity (UV printed)</p> <p>See graphic templates for graphic sizes.</p>	<p>Packed in optional OCE2 Case: Shipping dimensions: 1 x BOX: 17"L x 51"H x 17"D 431.8mm(l) x 1295mm(h) x 431.8mm(d)</p> <p>Approximate shipping weight: 126 lbs / 57.2 kg</p>
<p>Refer to related graphic templates for more information Visit:</p> <p>https://www.theexhibitorshandbook.com/downloads/download-graphic-templates or click here</p>	<p>additional information:</p>

We are continually improving and modifying our product range and reserve the right to vary the specifications without prior notice. All dimensions and weights quoted are approximate and we accept no responsibility for variance. E&OE. See Graphic Templates for graphic bleed specifications

SET UP INSTRUCTIONS:

1. CONNECT BOTTOM AND TOP TUBES FOLLOWING THE LABELS
2. CONNECT SIDE TUBES
3. CLEAN THE FRAME AND PLACE THEM ON CLEAN PLACE
4. CAREFULLY REMOVE FABRIC COVER FROM BAG
5. PLACE COVER AROUND THE BOTTOM OF THE FRAME
6. PULL COVER CAREFULLY UP TO THE TOP
7. CLOSE ALL ZIPPERS
8. ADJUST FABRIC AROUND THE FRAME
9. CONNECT CABLE HARNESS TO THE EYEBOLTS
10. COMPLETELY TIGHTEN THREADED CONNECTORS

SET UP INSTRUCTIONS

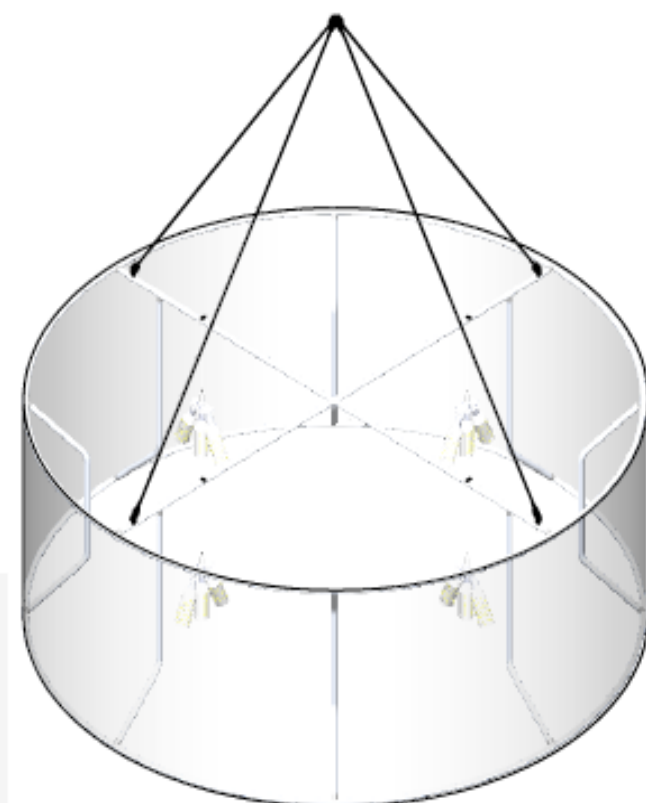
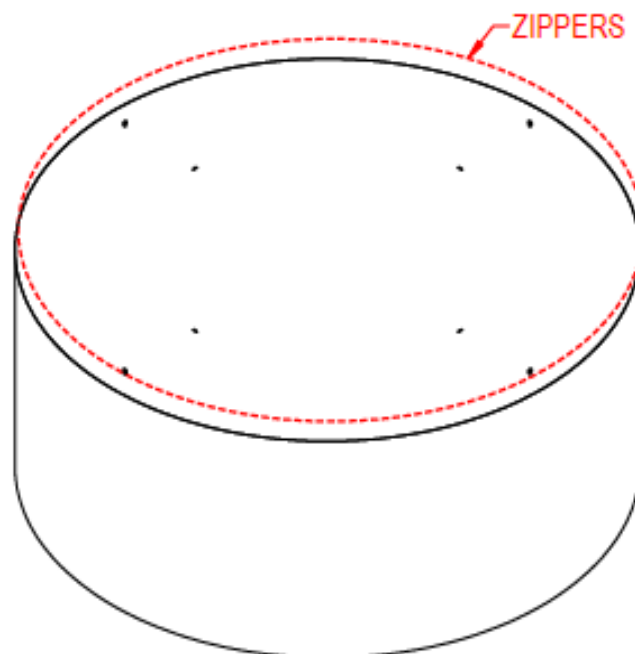
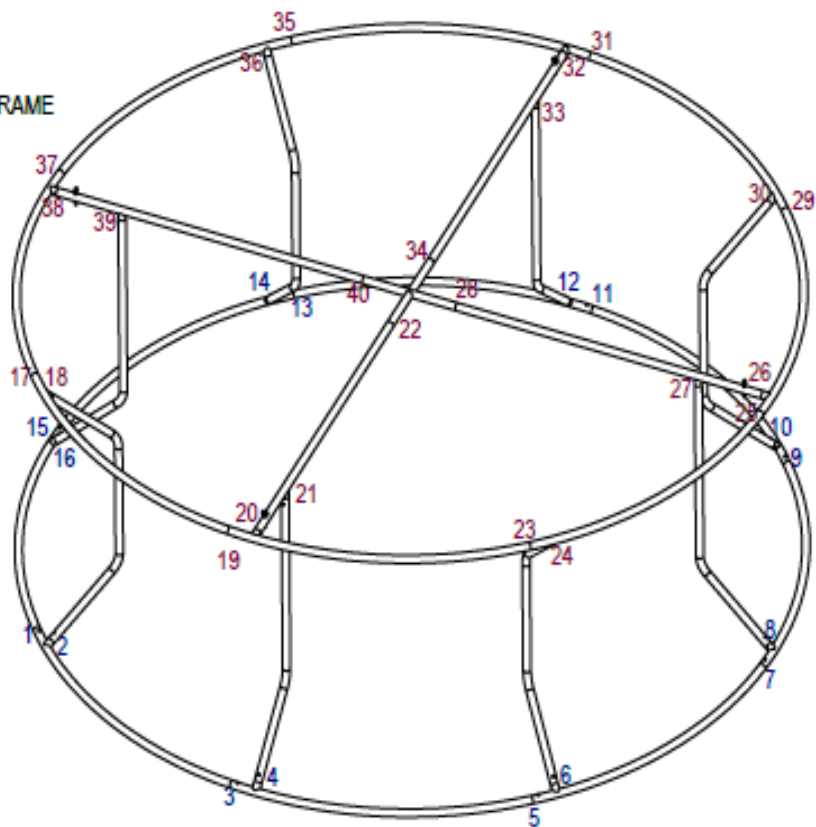
REV.	A	DESCRIPTION	7/11/24	BY	DATE
------	---	-------------	---------	----	------

BREAK DOWN INSTRUCTIONS:

REVERSE SET-UP STEPS TO BREAKDOWN FRAME

FABRIC CARE INSTRUCTIONS:

1. UNZIP COVER ZIPPERS
2. CAREFULLY REMOVE FABRIC COVER
3. CLOSE ALL ZIPPERS
4. FOLD OR ROLL NEATLY
5. PLACE FABRIC IN COVER BAG



SWAGE WITH SNAP BUTTON CONNECTIONS

NOTE: DO NOT OVER-TIGHTEN AT ANY POINTS TO AVOID DAMAGE TO THE TUBES.

NOTE: ALWAYS USE THE CORRECT TOOL TO TIGHTEN THE CONNECTIONS TO AVOID DAMAGE TO THE TUBES.

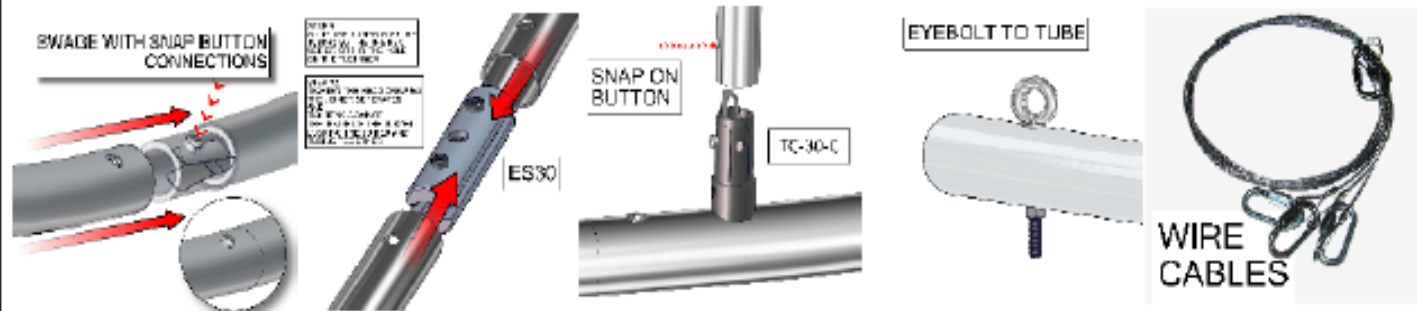
ES30

SNAP ON BUTTON

TC-30-C

EYEBOLT TO TUBE

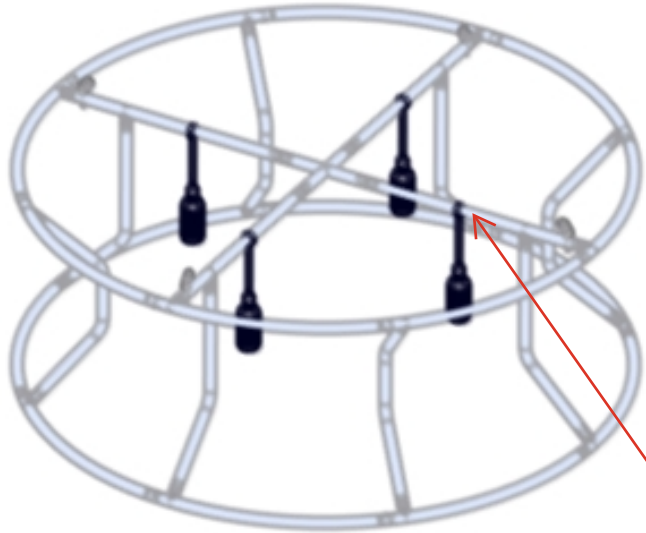
WIRE CABLES



LIGHT SET UP INSTRUCTIONS:

10' Socket Cord

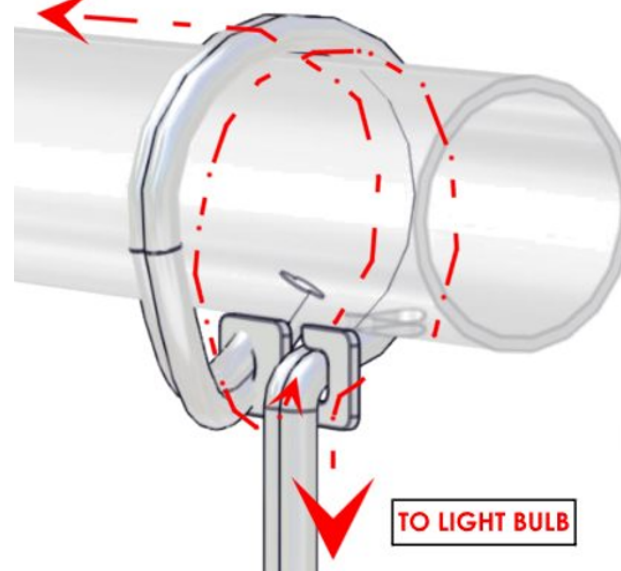
24W



TUBE CORD CLIP



TO POWER SUPPLY



CORD WRAPS AROUND TUBE

TO LIGHT BULB

