

# Backlit Ring 0803 - Hanging

Make any image pop with the Formulate® Backlit Ring Hanging Structure 0803. The pillowcase fabric graphic easily zips over the lightweight aluminum tube frame, which measures 8' dia. and 3' tall. The structure features LED lighting in the center, making messages shine from up close and far away.



We are continually improving and modifying our product range and reserve the right to vary the specifications without prior notice. All dimensions and weights quoted are approximate and we accept no responsibility for variance. E&OE. See Graphic Templates for graphic bleed specifications

## features and benefits:

- 8'Dia. x 3'H
- Constructed with 30mm (1 1/8") tubes and push-button connectors for simple assembly
- LED lighting is suspended in the middle of the structure
- Engineer certified (structural engineer certificate available upon request)
- Zipper pillowcase fabric graphic with bottom panel
- Comes with hanging cables
- Collapses to a fraction of its size and easy to store & ship
- Comes in a box or case

## dimensions:

Hardware	Shipping
<p>Assembled unit:</p> <p>96" w x 36" h 2438.4mm(w) x 914.4mm(h)</p> <p>Approximate Weight: 58 lbs / 26.3 kg</p>	<p><b>Packaging - 1 Box:</b> Shipping dimensions: 1x BOX: 16" L x 40" H x 16" D (406.4mm x 1016mm x 406.4mm)</p> <p>Approximate shipping weight: 68 lbs / 31 kg</p> <p><b>Packed in optional OCE2 Case:</b> Shipping dimensions: 1 x BOX: 17" L x 40" H x 17" D 431.8mm(l) x 1016mm(h) x 431.8mm(d)</p> <p>Approximate shipping weight: 92lbs / 41.8kg</p>
<p><b>Graphics</b></p> <p>Graphic material: Backlit Textile (dye-sublimated fabric) or Intensity (UV printed)</p> <p>See graphic templates for graphic sizes.</p>	<p><b>additional information:</b></p>
<p>Refer to related graphic templates for more information Visit:</p> <p><a href="https://www.theexhibitorshandbook.com/downloads/download-graphic-templates">https://www.theexhibitorshandbook.com/downloads/download-graphic-templates</a> or click here</p>	

# SET UP INSTRUCTIONS

A		7/11/24	
REV.	DESCRIPTION	BY	DATE

## SET UP INSTRUCTIONS:

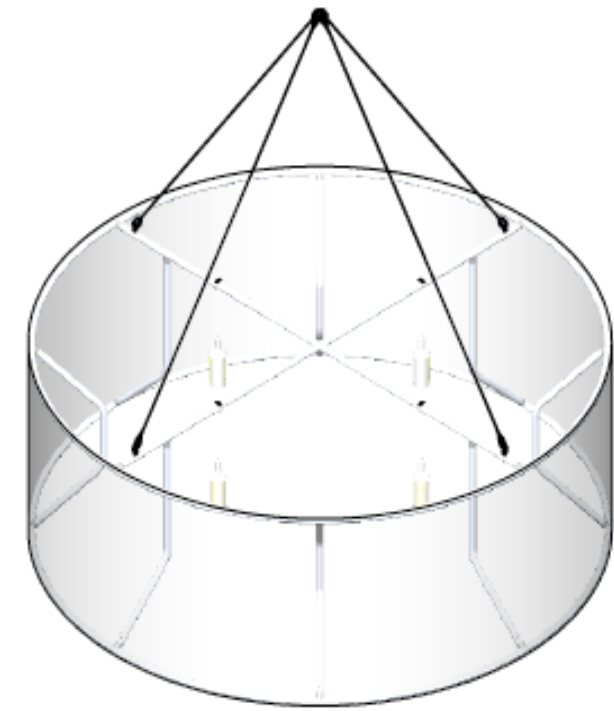
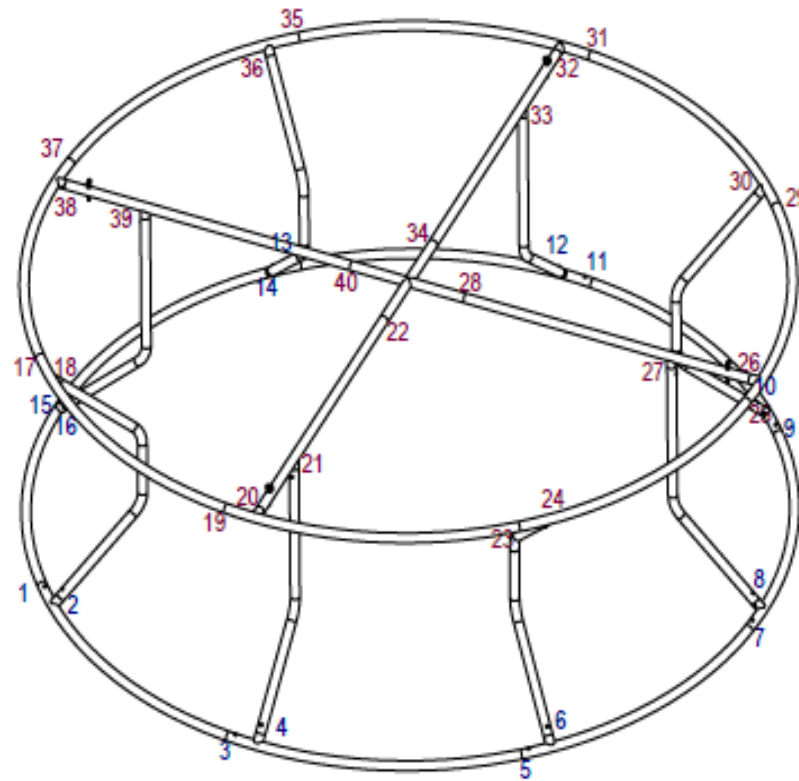
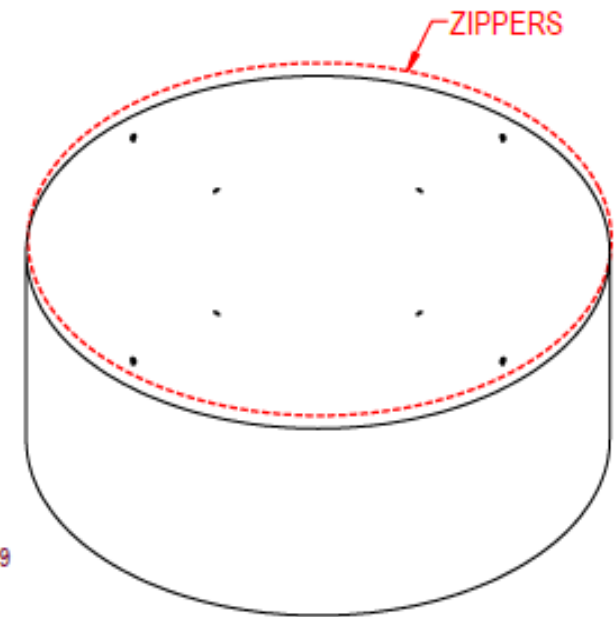
1. CONNECT BOTTOM AND TOP TUBES FOLLOWING THE LABELS
2. CONNECT SIDE TUBES
3. CLEAN THE FRAME AND PLACE THEM ON CLEAN PLACE
4. CAREFULLY REMOVE FABRIC COVER FROM BAG
5. PLACE COVER AROUND THE BOTTOM OF THE FRAME
6. PULL COVER CAREFULLY UP TO THE TOP
7. CLOSE ALL ZIPPERS
8. ADJUST FABRIC AROUND THE FRAME
9. CONNECT CABLE HARNESS TO THE EYEBOLTS
10. COMPLETELY TIGHTEN THREADED CONNECTORS

## BREAK DOWN INSTRUCTIONS:

REVERSE SET-UP STEPS TO BREAKDOWN FRAME

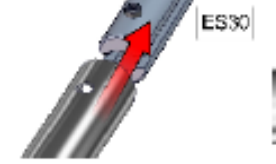
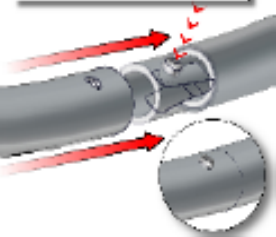
## FABRIC CARE INSTRUCTIONS:

1. UNZIP COVER ZIPPERS
2. CAREFULLY REMOVE FABRIC COVER
3. CLOSE ALL ZIPPERS
4. FOLD OR ROLL NEATLY
5. PLACE FABRIC IN COVER BAG



SWAGE WITH SNAP BUTTON CONNECTIONS

NOTE: TO PREVENT DAMAGE TO THE FABRIC COVER, DO NOT USE A WRENCH TO TIGHTEN THE CONNECTORS. USE THE SWAGE TOOLS PROVIDED WITH THE COVER BAG TO TIGHTEN THE CONNECTORS.



SNAP ON BUTTON

TC-30-C



EYEBOLT TO TUBE



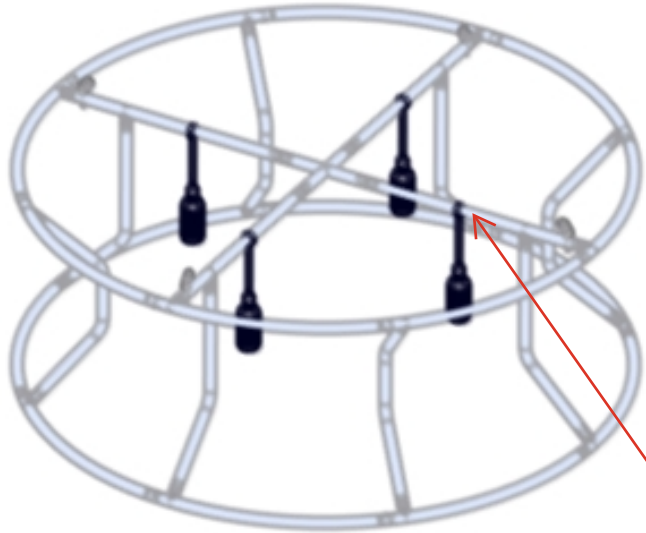
WIRE CABLES



LIGHT SET UP INSTRUCTIONS:

10' Socket Cord

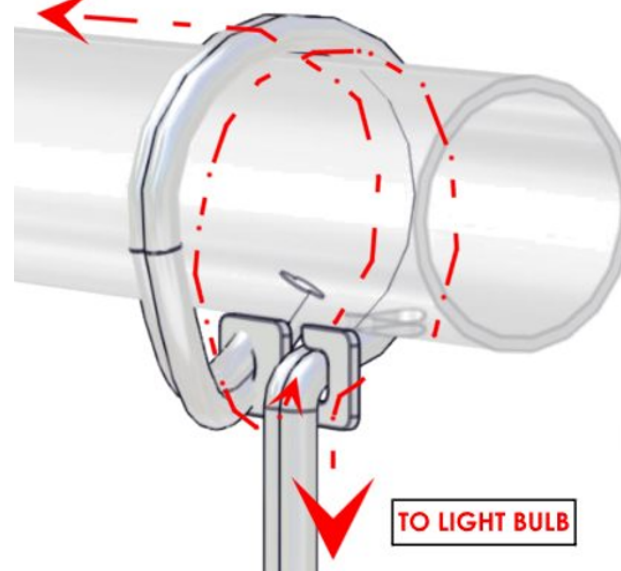
24W



**TUBE CORD CLIP**



**TO POWER SUPPLY**



**CORD WRAPS AROUND TUBE**

**TO LIGHT BULB**

