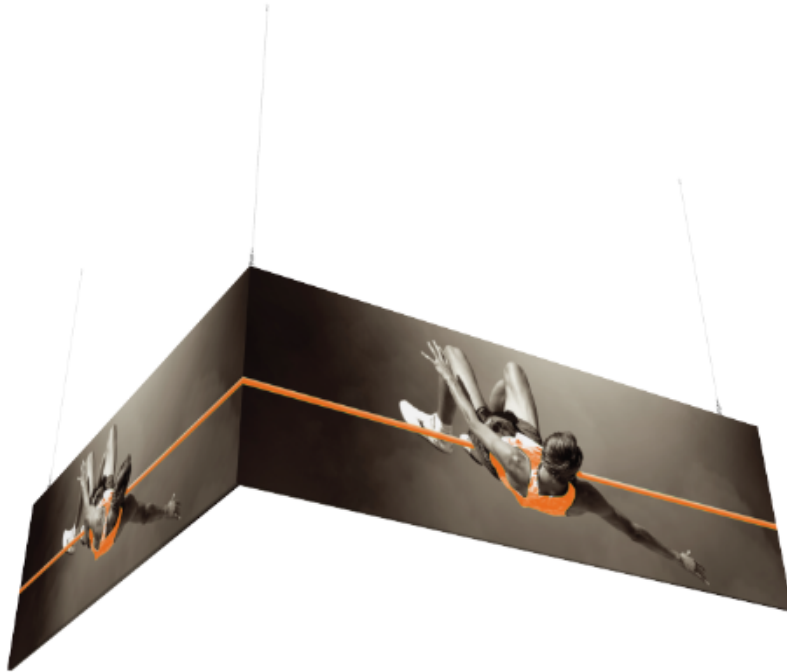


L-Shape 1212-4 - Hanging

Capture the attention of tradeshow or event attendees with the Formulate® L-Shaped Hanging Structure 1212-04. It easily mounts to any ceiling and is portable so it can be taken to any event. It features powerstretch pillowcase fabric graphics that fit over the lightweight tube structures and displays images clearly in multiple directions.



features and benefits:

- 12'W x 12'L x 4'H
- Constructed with 30mm (1 1/8") tubes and push-button connectors for simple assembly
- Engineer certified (structural engineer certificate available upon request)
- Double-sided zipper pillowcase fabric graphics
- Comes with hanging cables
- Collapses to a fraction of its size and easy to store & ship
- Comes in a box or case

dimensions:

Hardware	Shipping
<p>Assembled unit:</p> <p>144" w x 48" h x 144" d 3658mm(w) x 1219mm(h) x 3658mm(d)</p> <p>Approximate Weight: 60 lbs / 27.2 kg</p>	<p>Packaging - 1 Box: Shipping dimensions: 1x BOX: 16" L x 49" H x 16" D (406.4mm x 1245mm x 406.4mm)</p> <p>Approximate shipping weight: 70 lbs / 32 kg</p> <p>Packed in optional OCE2 Case: Shipping dimensions: 1 x BOX: 17" L x 49" H x 17" D 431.8mm(l) x 1245mm(h) x 431.8mm(d)</p> <p>Approximate shipping weight: 94 lbs / 42.7 kg</p>
<p>Graphics</p> <p>Graphic material: Powerstretch</p> <p>See graphic templates for graphic sizes.</p> <p>Refer to related graphic templates for more information Visit: https://www.theexhibitorshandbook.com/downloads/download-graphic-templates or click here</p>	<p>additional information:</p>

We are continually improving and modifying our product range and reserve the right to vary the specifications without prior notice. All dimensions and weights quoted are approximate and we accept no responsibility for variance. E&OE. See Graphic Templates for graphic bleed specifications

SET UP INSTRUCTIONS:

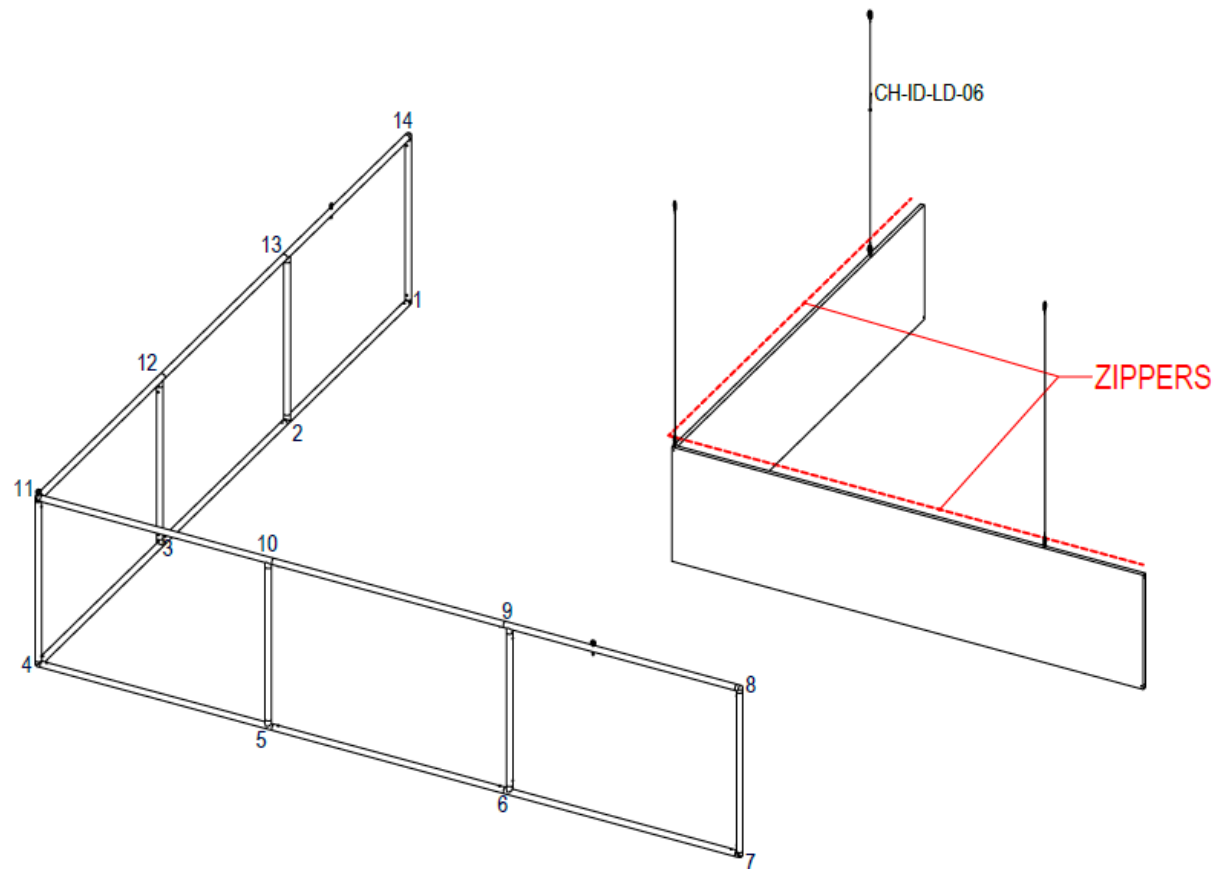
1. CONNECT BOTTOM AND TOP TUBES FOLLOWING THE LABELS
2. CONNECT SIDE TUBES
3. CLEAN THE FRAME AND PLACE THEM ON CLEAN PLACE
4. CAREFULLY REMOVE FABRIC COVER FROM BAG
5. PLACE COVER AROUND THE BOTTOM OF THE FRAME
6. PULL COVER CAREFULLY UP TO THE TOP
7. CLOSE ALL ZIPPERS
8. ADJUST FABRIC AROUND THE FRAME
9. CONNECT CABLE HARNESS TO THE EYEBOLTS
10. COMPLETELY TIGHTEN THREADED CONNECTORS

BREAK DOWN INSTRUCTIONS:

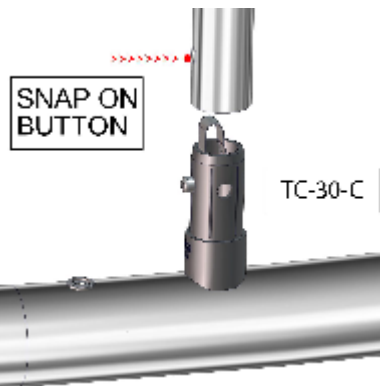
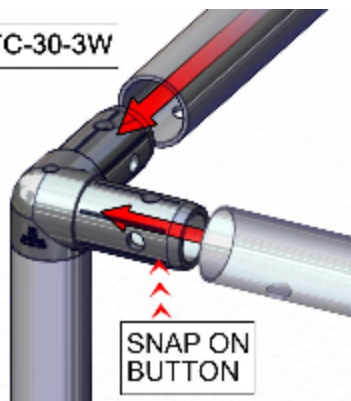
REVERSE SET-UP STEPS TO BREAKDOWN FRAME

FABRIC CARE INSTRUCTIONS:

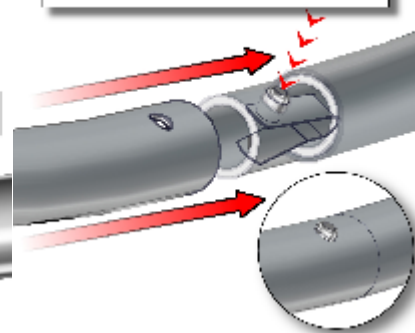
1. UNZIP COVER ZIPPERS
2. CAREFULLY REMOVE FABRIC COVER
3. CLOSE ALL ZIPPERS
4. FOLD OR ROLL NEATLY
5. PLACE FABRIC IN COVER BAG



TC-30-3W



SWAGE WITH SNAP BUTTON CONNECTIONS



TC-30-90

