

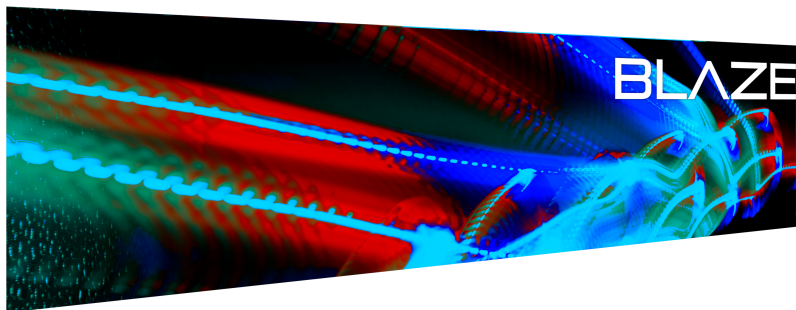
Blaze Light Box 3008 - Wall

Blaze Wall Mounted Light Box 3008 is 30'w by 8'h and features a durable 4" aluminum frame in your choice of Silver, White or Black. Perimeter, interior LED light bars are pre-attached to the frame and make the box GLOW. The light bars feature an internal power supply, which means no separate power supplies within the frame, minimizing shadowing and cord management.

Two backlit graphic material options are available to choose from, Backlit Textile (dye-sublimation printed) and Intensity (UV/LED printed).

Backlit Textile is a tightly woven fabric that is slightly stretchy, foldable and washable; it is best for multiple uses. Intensity is a material that has a smooth, coated finish. The double-strike process creates vibrant backlit graphics.





Simply assemble the frame, hang, install the graphic and plug in!



features and benefits:

- 30'W x 8'H
- 4" light boxes feature a sleek, aluminum frame
- Available in white, black or silver
- Perimeter LED light bars are pre-attached to the frame
- Light bars feature an internal power supply, which means no separate power supplies within the frame
- Easy to assemble, comes with hanging hardware
- UL Certified & ADA compliant sizing, approved for public spaces
- 5 year LED warranty on lights; long life span - 43,800 hours for 5 years if powered 24/7
- Lifetime warranty on frame

dimensions:

| Hardware | Shipping |
|--|---|
| <p>Assembled unit:</p> <p>360" w x 96" h x 4" d 9144mm(w) x 2438.4mm(h) x 101.6mm(d)</p> <p>Approximate Weight: 250 lbs / 113.398 kg</p> | <p>Packing case(s): 5 Boxes</p> <p>Shipping dimensions: 4 x BOXES (79" L x 9" H x 11" D) 2006.6mm(l) x 228.6mm(h) x 279.4mm(d)</p> <p>1 x BOX (24" L x 14" H x 8" D) 609.6mm(l) x 355.6mm(h) x 203.2mm(d)</p> <p>Approximate shipping weight: 289 lbs / 131.088 kg</p> |
| <p>Graphics</p> <p>Graphic material: Backlit Textile (dye-sublimated fabric) or Intensity (UV printed)</p> <p>See graphic templates for graphic sizes.</p> | <p>additional information:</p> <p>Powder coat color options:</p> <div style="display: flex; justify-content: space-around; align-items: center;"> <div style="text-align: center;">  white </div> <div style="text-align: center;">  black </div> <div style="text-align: center;">  silver </div> </div> <div style="text-align: right; margin-top: 10px;">  </div> |
| <p>Refer to related graphic templates for more information Visit:</p> <p>https://www.theexhibitorshandbook.com/downloads/download-graphic-templates or click here</p> | |

We are continually improving and modifying our product range and reserve the right to vary the specifications without prior notice. All dimensions and weights quoted are approximate and we accept no responsibility for variance. E&OE. See Graphic Templates for graphic bleed specifications

Tools Required



MULTI HEX KEY
(Included)

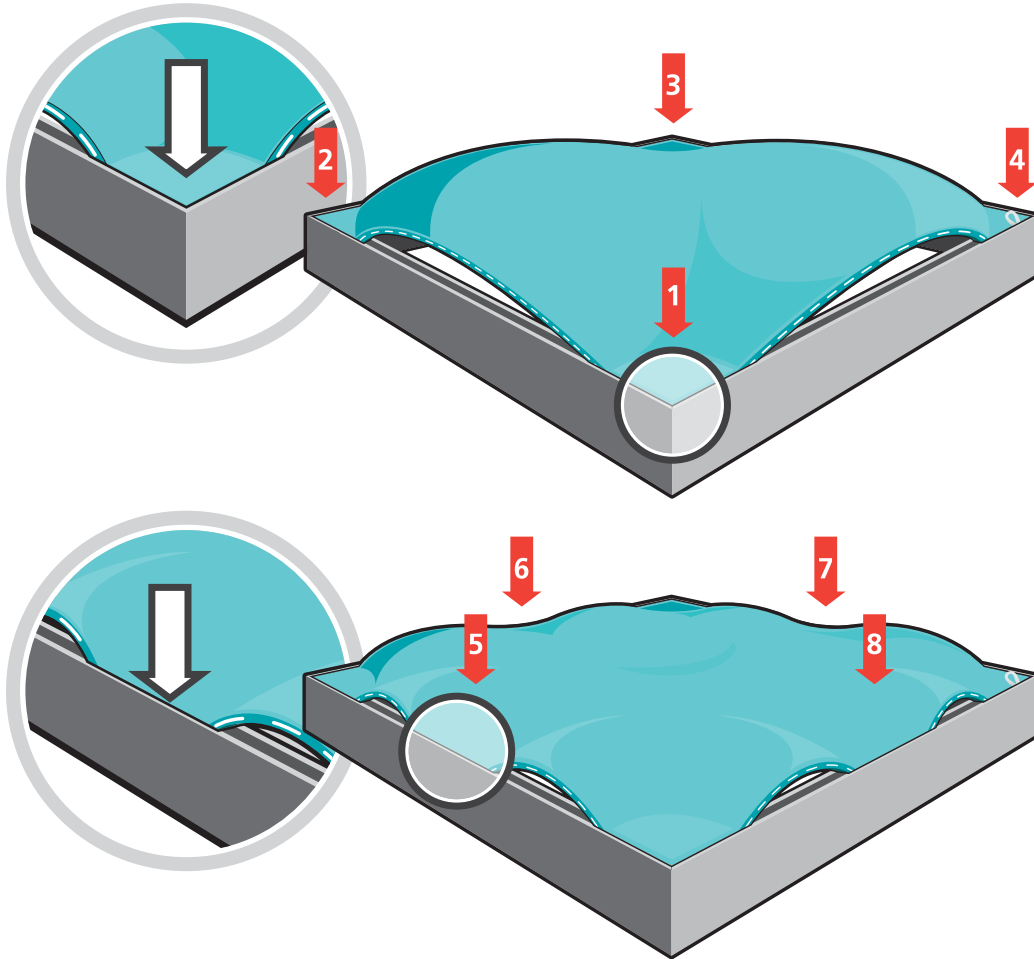


PHILLIPS SCREW DRIVER
(Not Included)

How to Apply & Remove Graphics

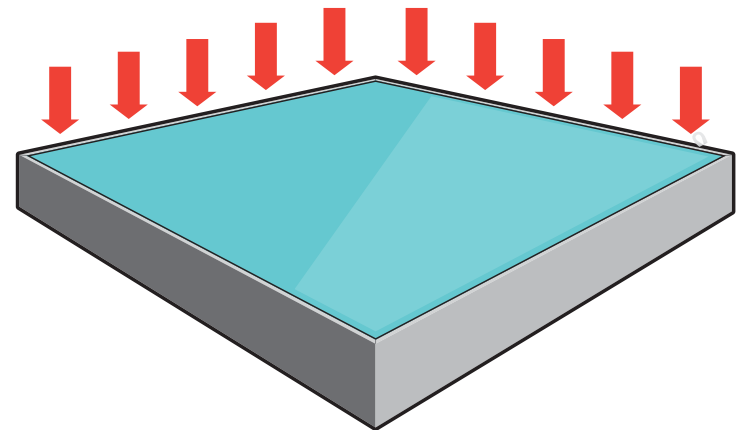
Installation and removal of SEG graphics is easy!

Installation: Push the SEG bead into each corner of the frame (1-4) with your thumb, then push the SEG bead into the middle of the run (5-8) and work your way around the perimeter of the frame until all beading is pushed in properly; if necessary, go around the perimeter again to ensure beading is secure in the extrusion profile.



Note: Keep the set up area clean by using a drop cloth, washing hands before set-up or by wearing gloves.

Removal: Use the pull tab located on the graphic and gently pull the graphic from the frame, going around the perimeter.

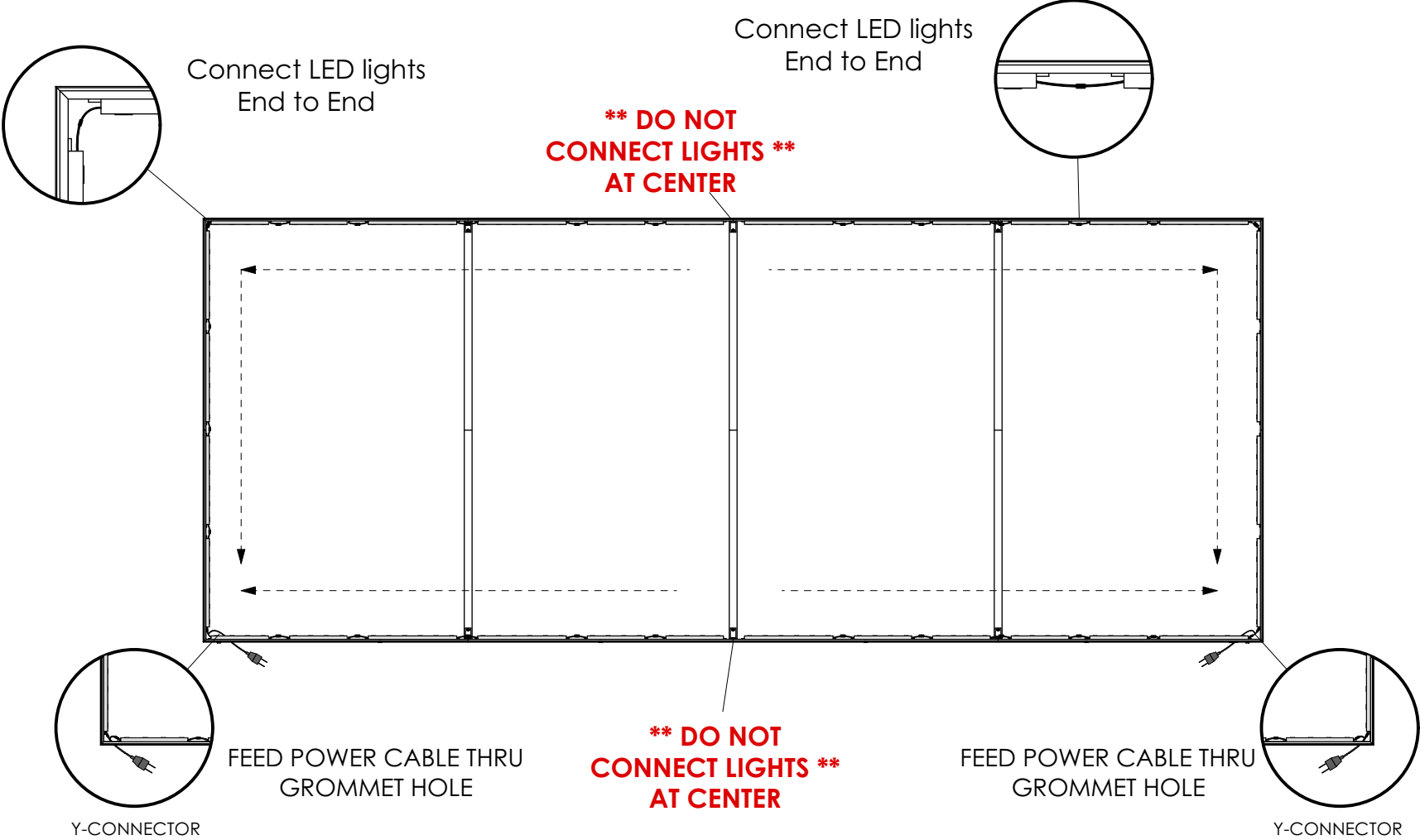


Graphics Storage & Care

Graphics should be folded with the graphic facing inward and stored in a zip lock /sealable plastic bag. Spot clean by wiping with a damp white cloth. If washing is necessary, use a commercial size front-loading washing machine, gentle cycle with cool water. Line dry flat. Dry cleaning is NOT recommended to prevent shrinkage.

LED Lights

NOTE: A maximum of 20 LED fixtures can be connected in a line.

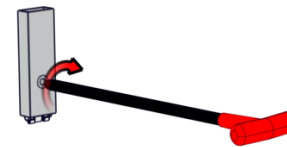
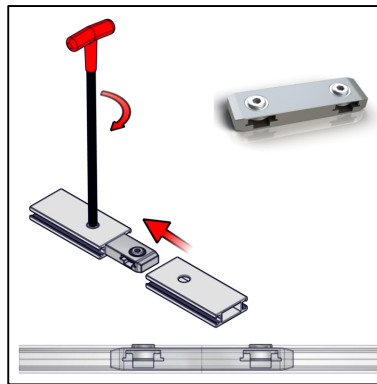
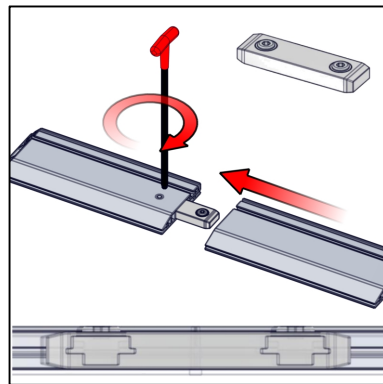
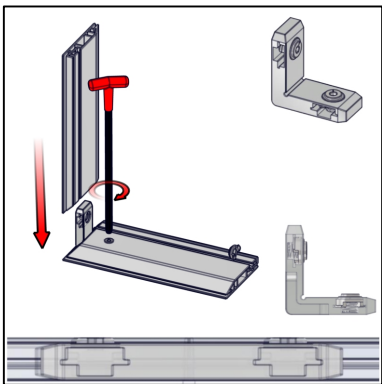
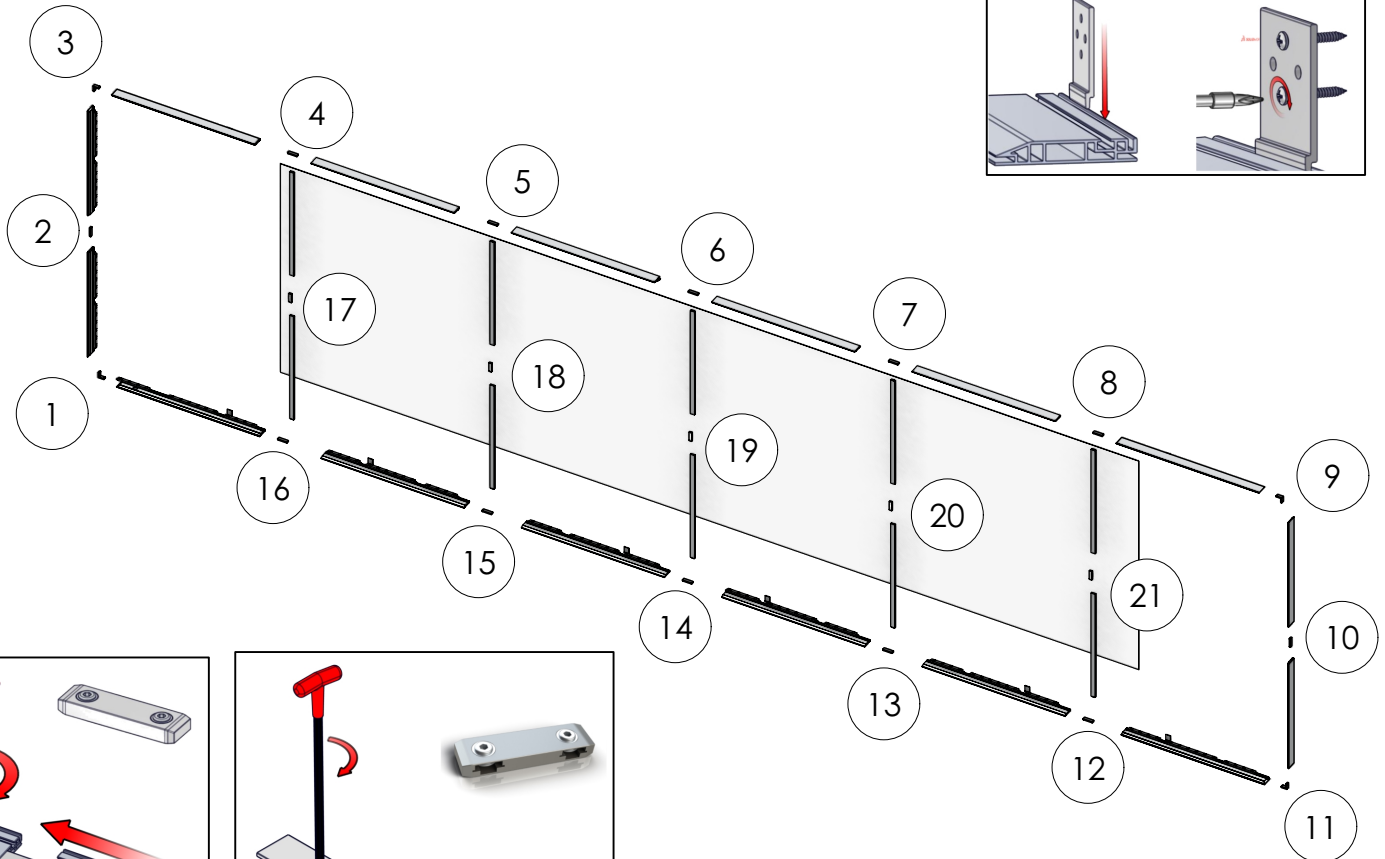
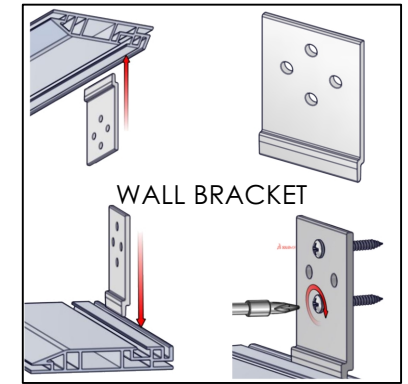


| QTY | IMAGE | DESCRIPTION |
|-----|-------|---|
| 2 | | 8FT POWER CORD FOR LED-EV LIGHTS |
| 4 | | CB10 90 DEGREE CONNECTOR |
| 17 | | JOINER BAR (OLD STYLE) |
| 1 | | 1524MM (60.00in) LENGTH OF 347 EXTRUSION-WITH MITRE CUT LEFT END FOR CB10-IB2 LOCK HOLE RIGHT END-WITH GROMMET HOLE 250MM FROM LEFT END |
| 2 | | 1524MM (60.00in) LENGTH OF 347 EXTRUSION-WITH MITRE CUT RIGHT END FOR CB10-IB2 LOCK HOLE LEFT END |
| 10 | | 1203MM LENGTH OF PH EXTRUSION-WITH IB2 LOCK HOLES ONE SIDE-CAM LOCK ONE SIDE |
| 1 | | 1524MM (60.00in) LENGTH OF 347 EXTRUSION-WITH MITRE CUT LEFT END FOR CB10-IB2 LOCK HOLE RIGHT END |
| 2 | | 1219MM (47.99in) LENGTH OF 347 EXTRUSION-WITH MITRE CUT LEFT END FOR CB10-IB2 LOCK HOLE RIGHT END |
| 2 | | 1219MM (47.99in) LENGTH OF 347 EXTRUSION-WITH MITRE CUT RIGHT END FOR CB10-IB2 LOCK HOLE LEFT END |
| 8 | | 1524MM (60.00in) LENGTH OF 347 EXTRUSION-WITH IB2 LOCK HOLES BOTH ENDS |
| 6 | | BLAZE LIGHTBOX WALL BRACKETS (2-BRACKETS, 4-SCREWS, 4-ANCHORS) |
| 20 | | 19" LED AC LIGHT BAR 6000 K |
| 24 | | 10" LED AC LIGHT BAR 6000 K |

STEPS

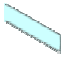
1. Mount top brackets to wall studs.
2. Assemble frame on floor and add liner to back.
3. Hang frame on top brackets.
4. Mount bottom wall brackets to wall and secure frame.

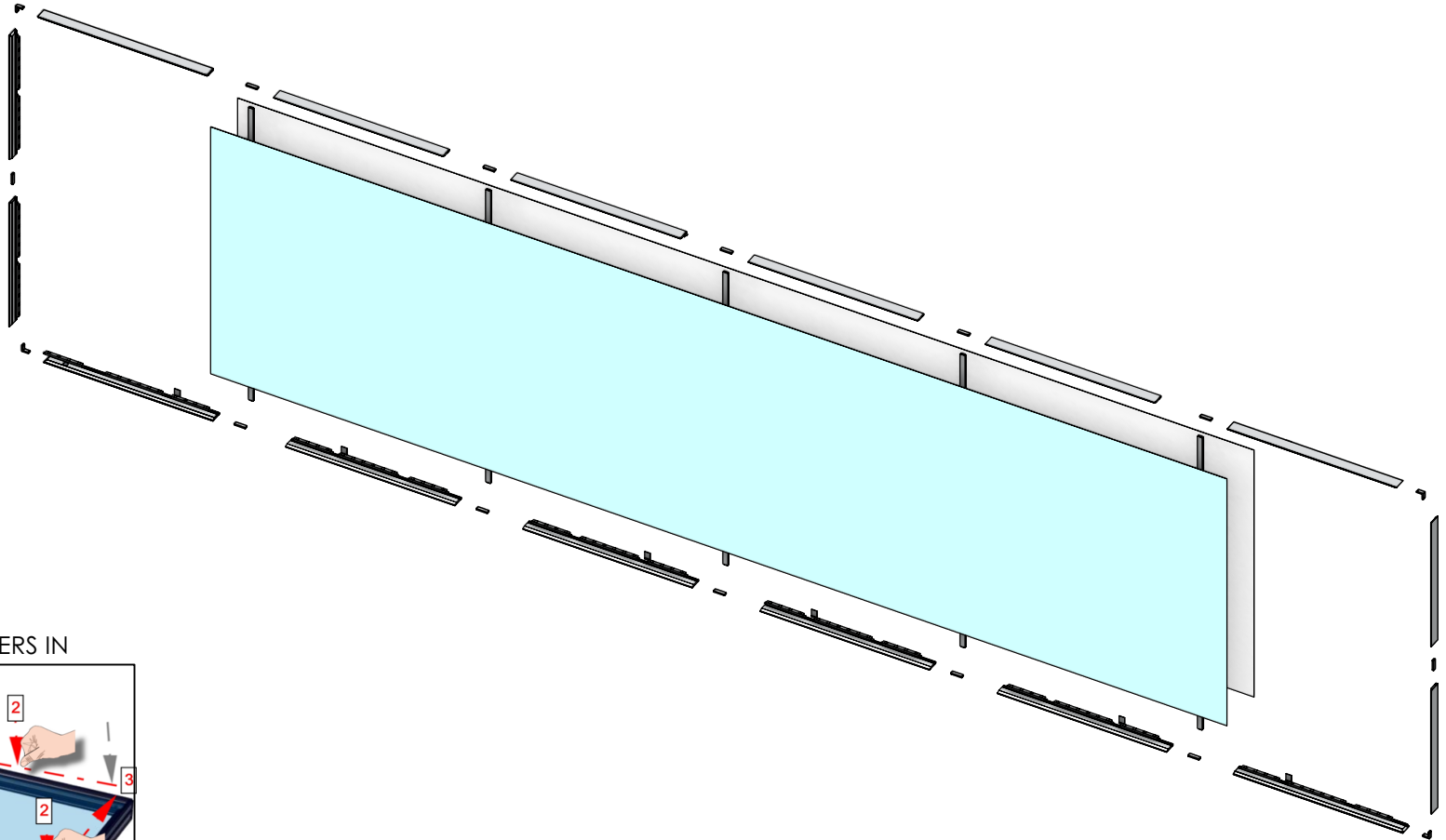
SETUP INSTRUCTIONS



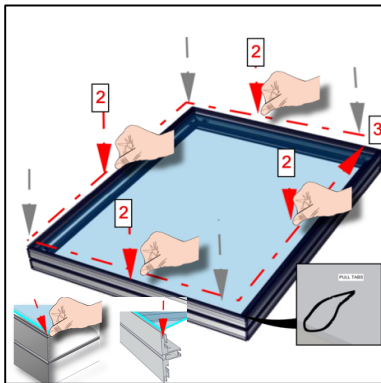
ASSEMBLE FRAME

SETUP INSTRUCTIONS

| QTY | IMAGE | DESCRIPTION |
|-----|---|--|
| 1 |  | GRAPHIC (A1) (363.88 w X 99.88 h total size) 359.88 w X 95.88 h finish size, UV/LED print on Backlit Intensity, single sided, sewn with silicone beading around perimeter & pull tab in bottom right corner |



PRESS CORNERS IN



THEN PRESS ALONG THE
PERIMETER EDGE

ADD GRAPHICS