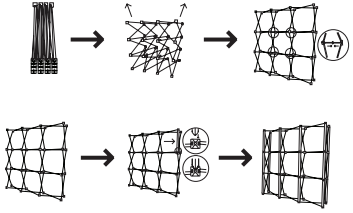


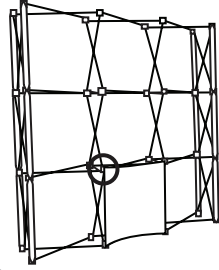
Assembly

1 Assemble frame: See pg 3 of Coyote Instructions, Steps 1-6

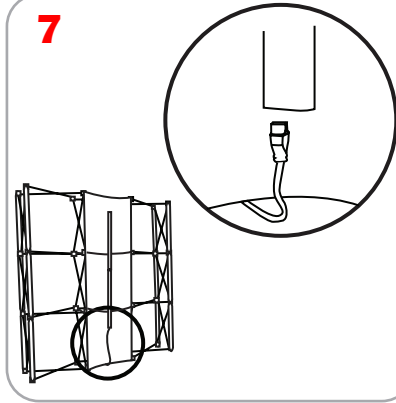


If not backlighting panel, skip to step 6

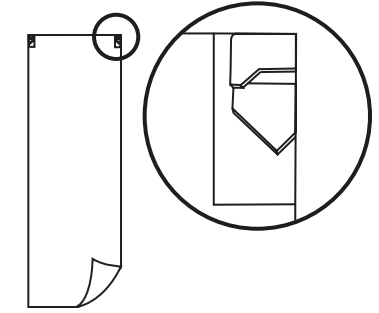
2



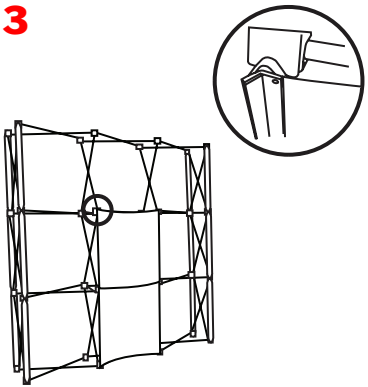
7



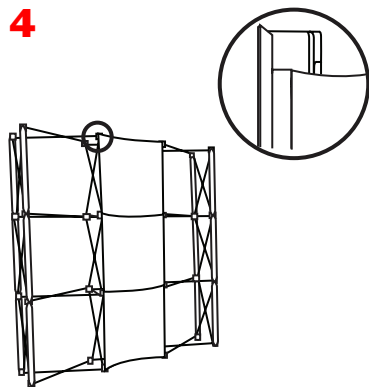
8



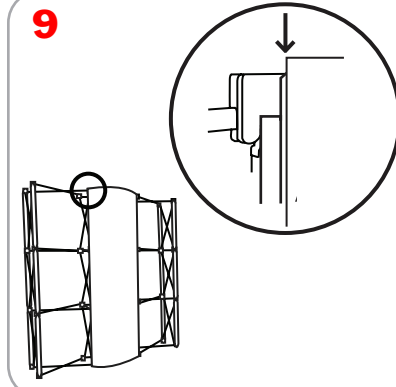
3



4



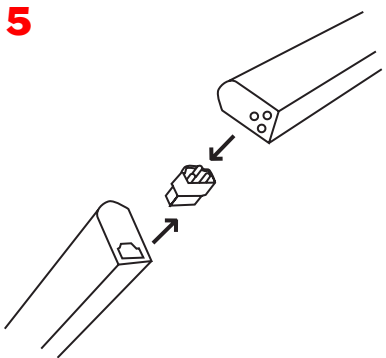
9



10



5



6

