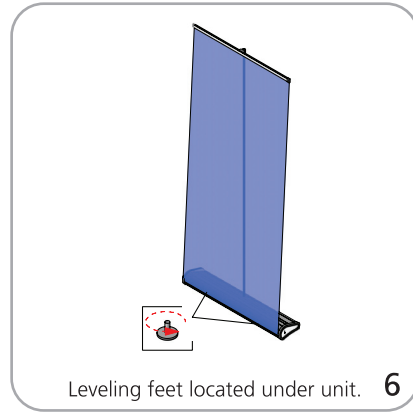
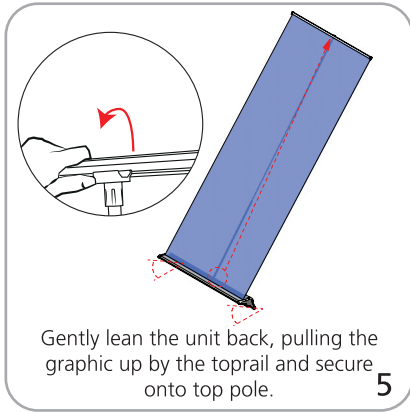
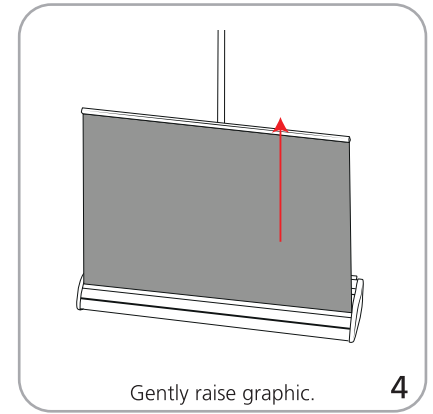
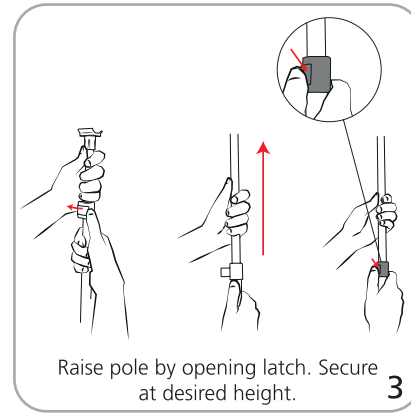
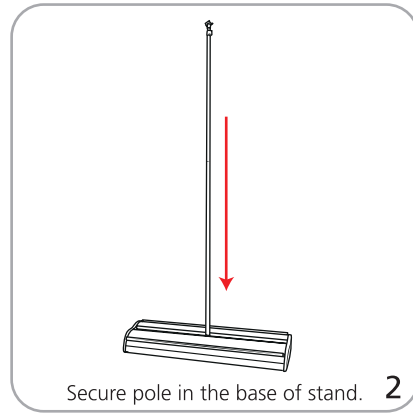
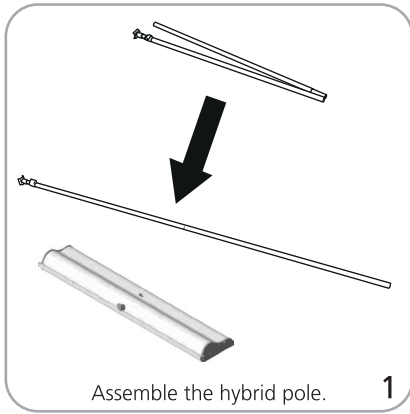
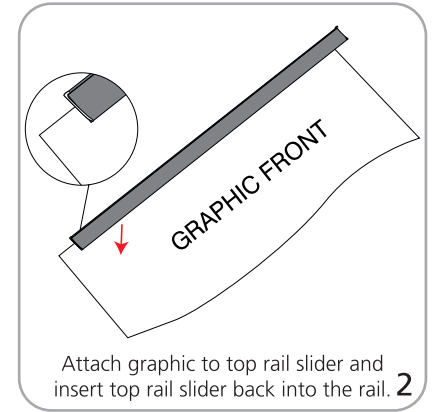
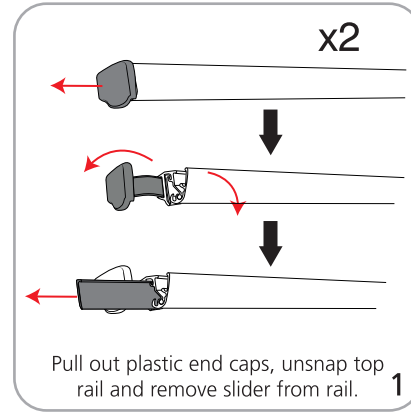


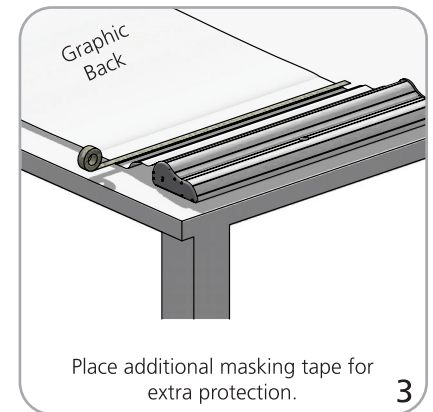
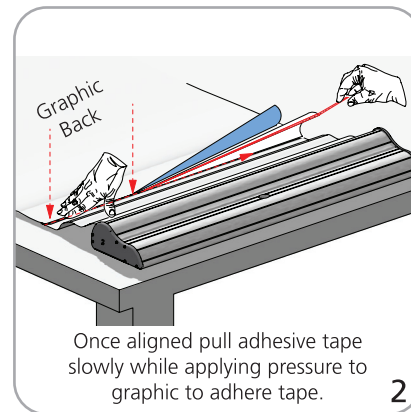
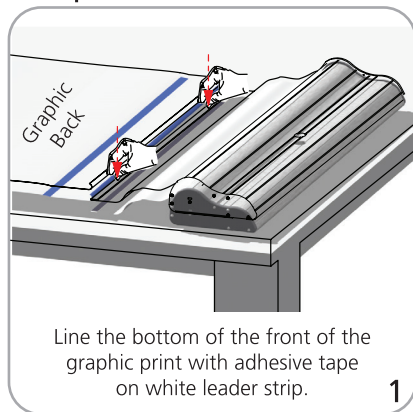
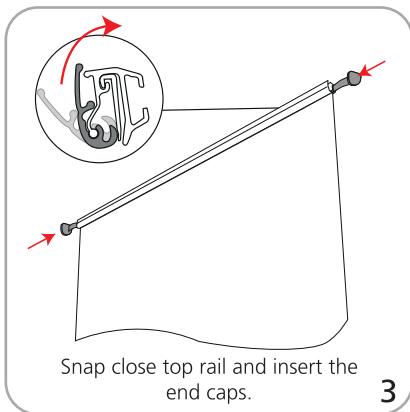
## Orient 1 set-up

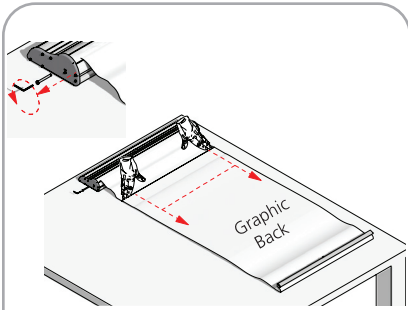


## Graphic to top rail attachment



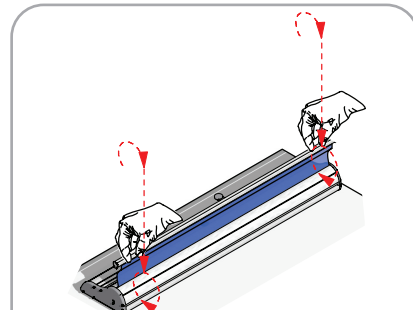
## Graphic to base attachment





Remove pin while holding onto the graphic so the graphic does not retract back in quickly.

4



Slowly retract the graphic back into the base.

5