

Vibe Monitor Stand

VB-MK-01

The vibe monitor stand is an excellent addition to a variety of backwall displays and exhibits. Use this sturdy, stand alone kiosk in a variety of situations to display your multimedia messages.



features and benefits:

- State-of-the-art snap button aluminum structure
- Frame constructed of 30mm and 50mm lightweight aluminum tube
- Choose from four laminate base colors
- Brushed silver finish on exposed tube
- Easy step-by-step instructions
- Lifetime warranty on hardware against manufacturer defects

dimensions:

Hardware

Assembled unit: 30" w x 78.38" h x 23.6" d
762mm(w) x 1990mm(h) x 600mm(d)

Shipping

Shipping dimensions - ships in 1 case
OCH2 case:
52" l x 30" w x 15" h
1320.8mm(l) x 762mm(w) x 381mm(h)

Approximate shipping weight (entire kit):
40 lbs/18.14 kg

additional information:

Monitor mount holds max weight
50lbs/22.7kg

Monitor mount holds max size
42"/1066.8mm

Base color options:



silver



black



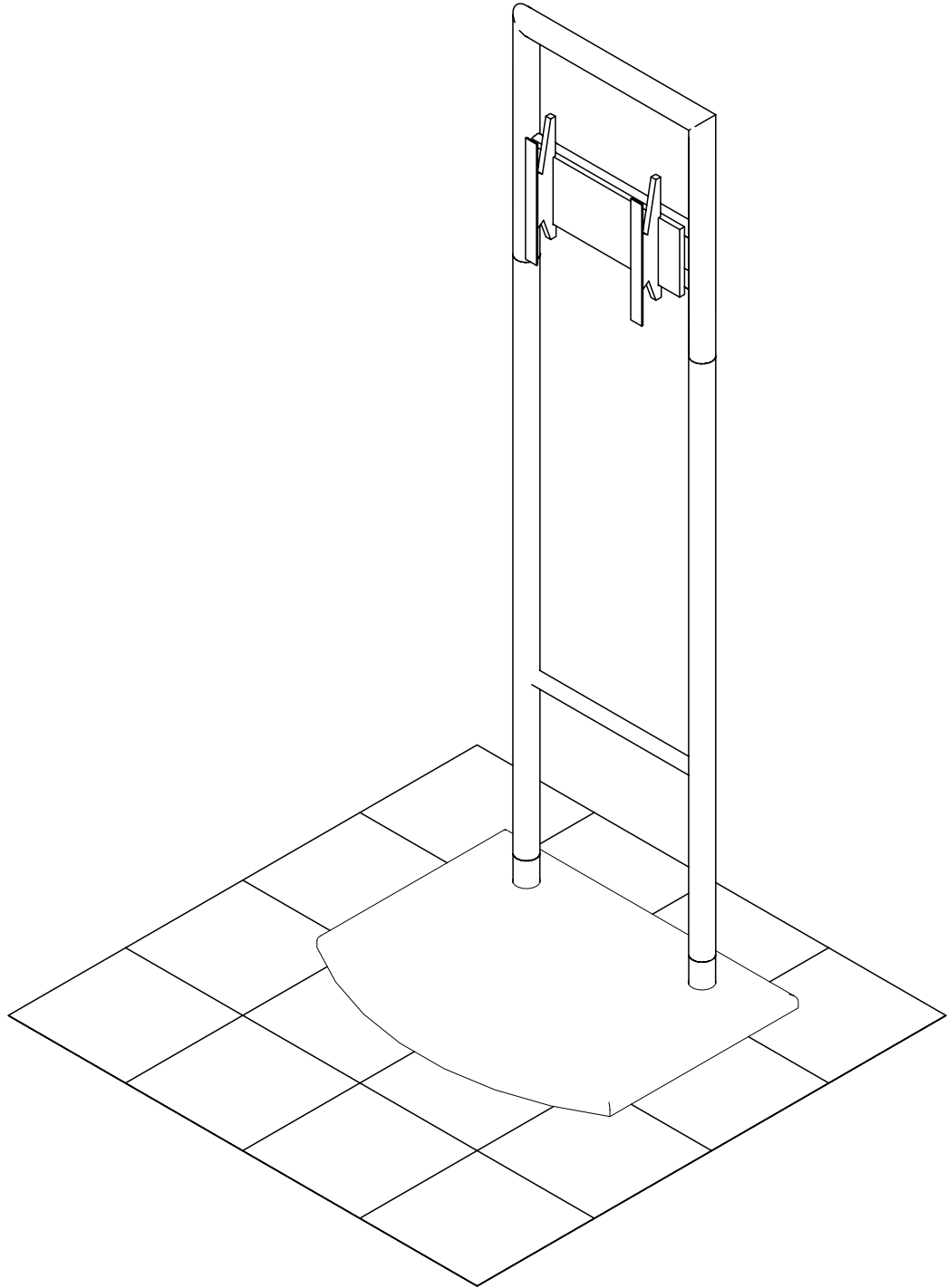
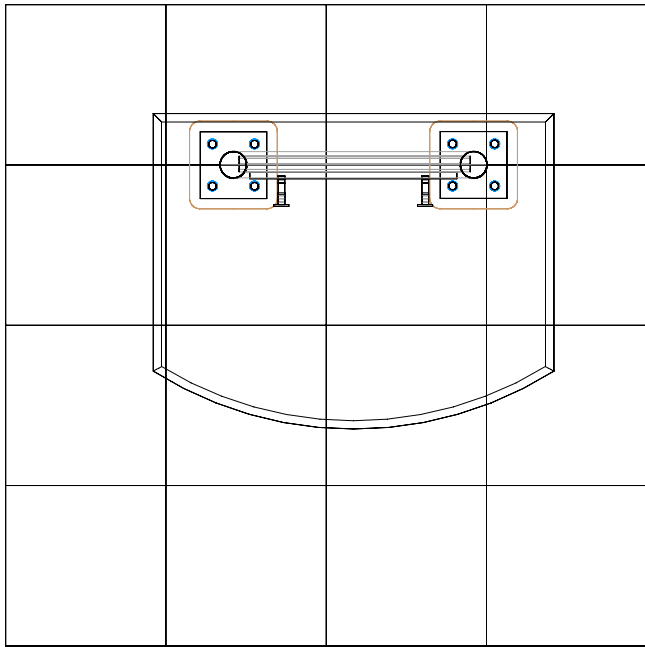
mahogany



natural

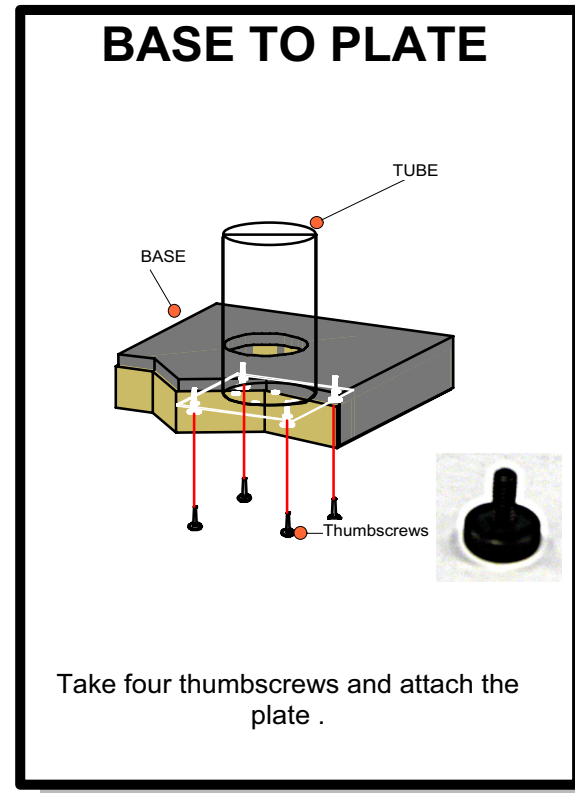
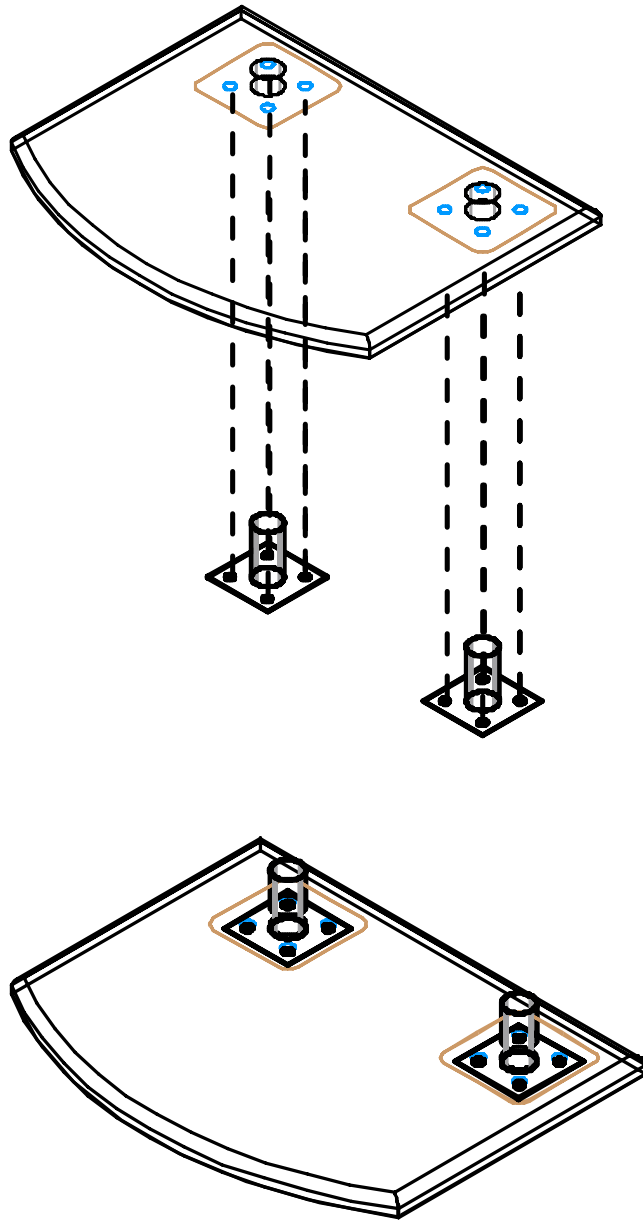
We are continually improving and modifying our product range and reserve the right to vary the specifications without prior notice. All dimensions and weights quoted are approximate and we accept no responsibility for variance. E&OE. See Graphic Templates for graphic bleed specifications.

Parts included	
Part Label	Qty
Upper frame	x1
Lower frame	x1
Joiner	x4
Base plates	x2
Base	x1
Monitor bracket	x1



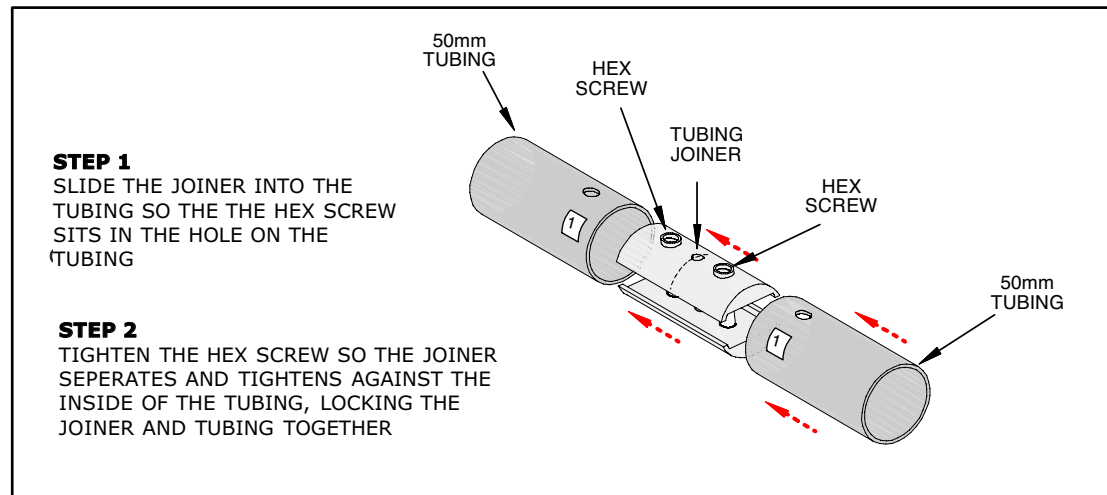
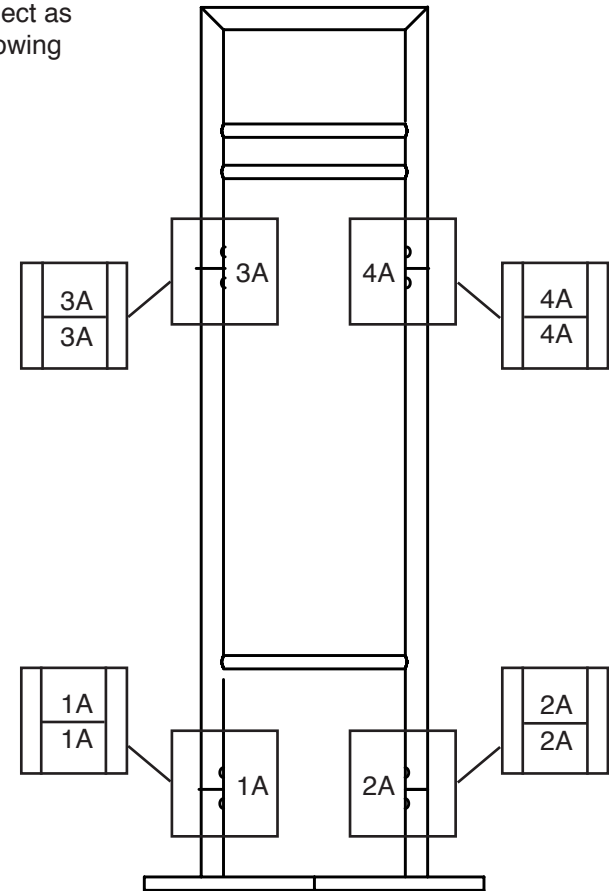
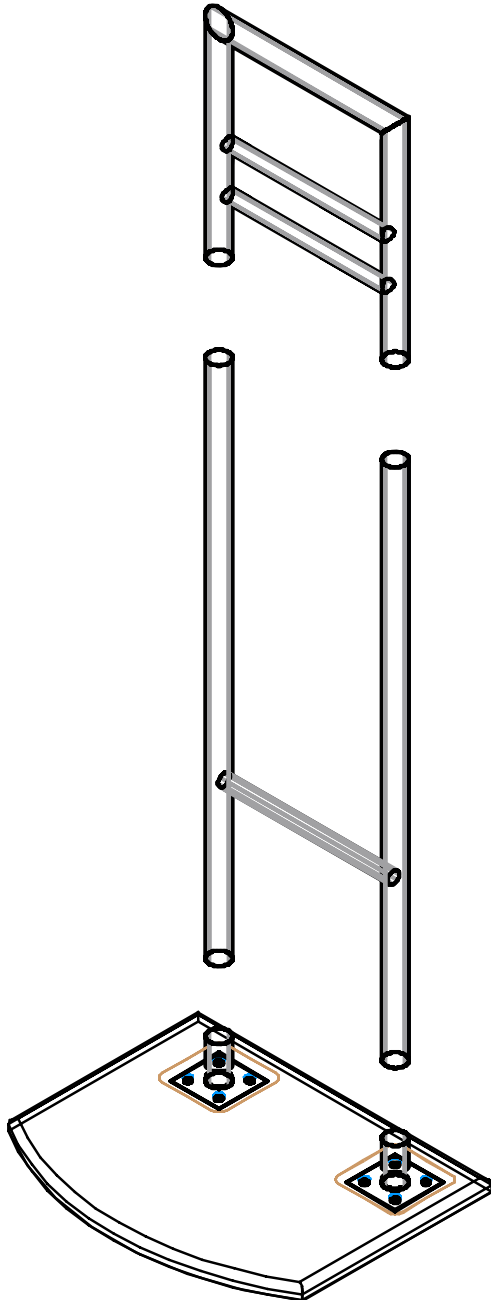
Step 1.

Connect the plates to the base using four screws per plate as shown in the attachment detail below. Assure holes on tubing are facing inward.



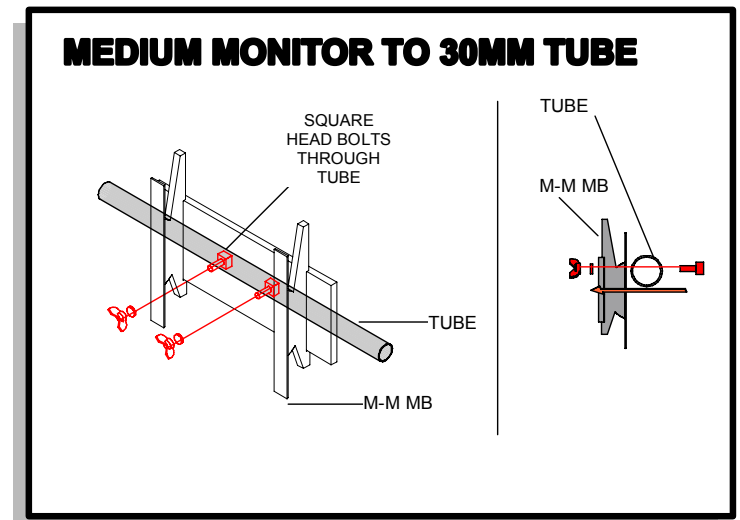
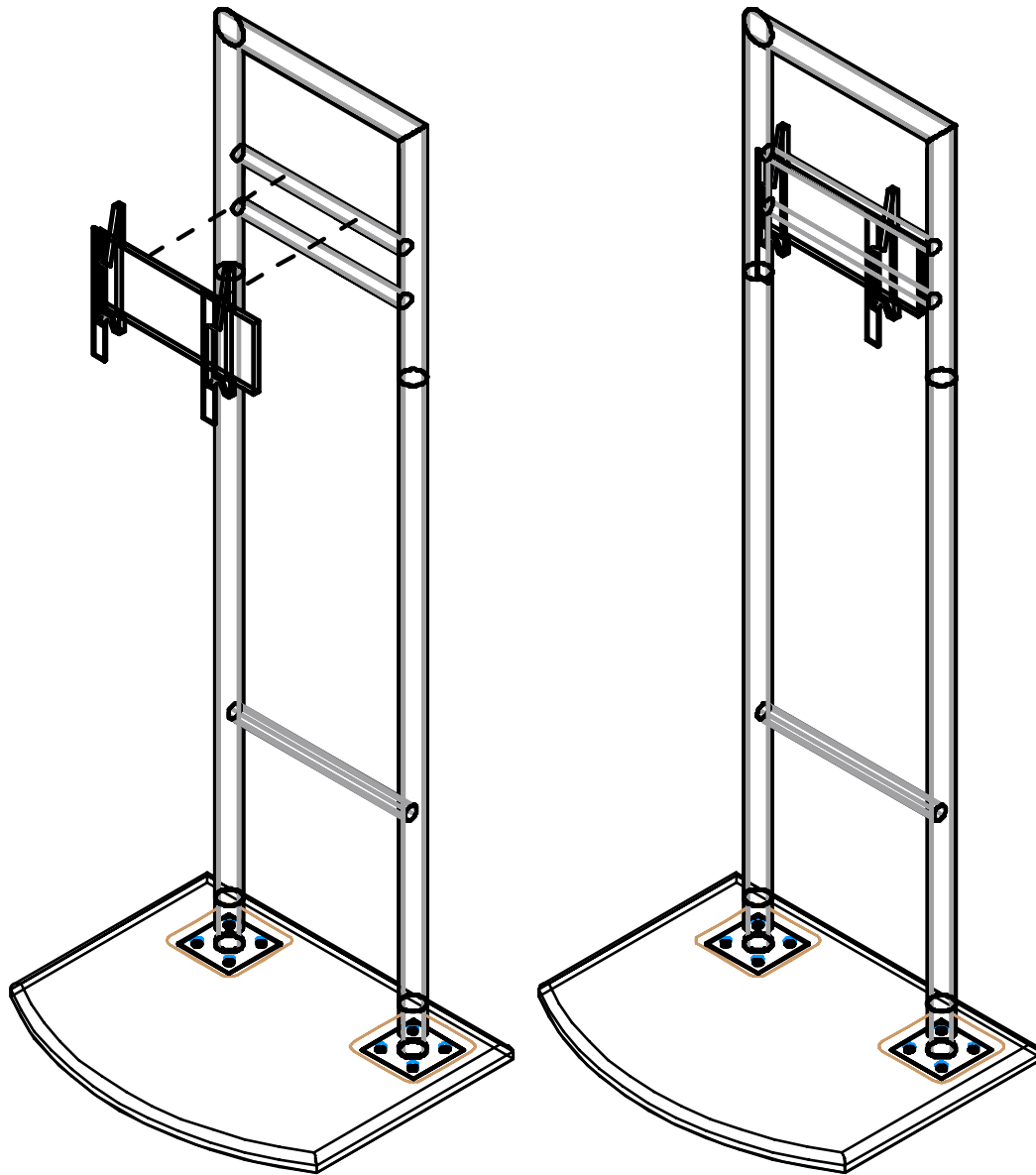
Step 2.

Attach the lower frame to the base plates at points 1A and 2A following the labels. Use the joiner to connect as shown in the attachment detail below. Attach the upper frame to the lower frame at points 3A and 4A following the labels. Use the joiner to connect as shown in the attachment detail below.



Step 3.

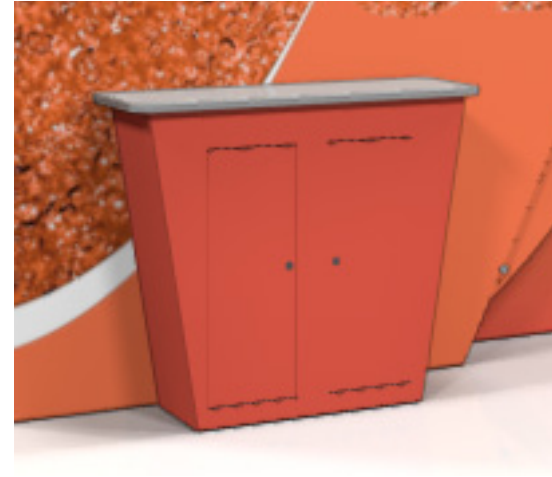
To attach the monitor mount, put square head bolts through the back of the pre-drilled tube. Slide monitor mount onto bolts and secure with wingnuts. Position mount where desired.



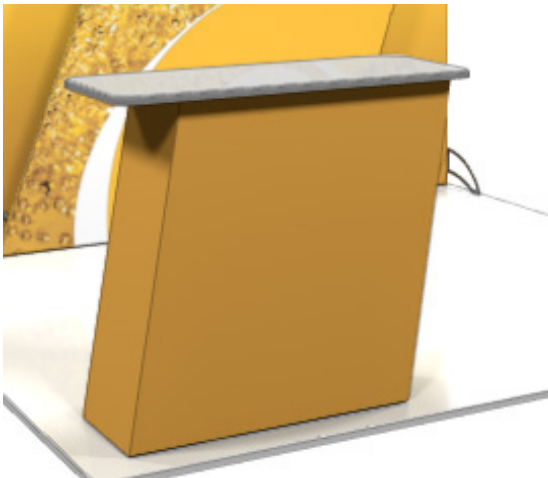
Check out these related products:



Vibe Counter 01



Vibe Counter 02



Vibe Counter 03



Vibe Monitor Stand
