

VECTOR FRAME BANNERS R-01

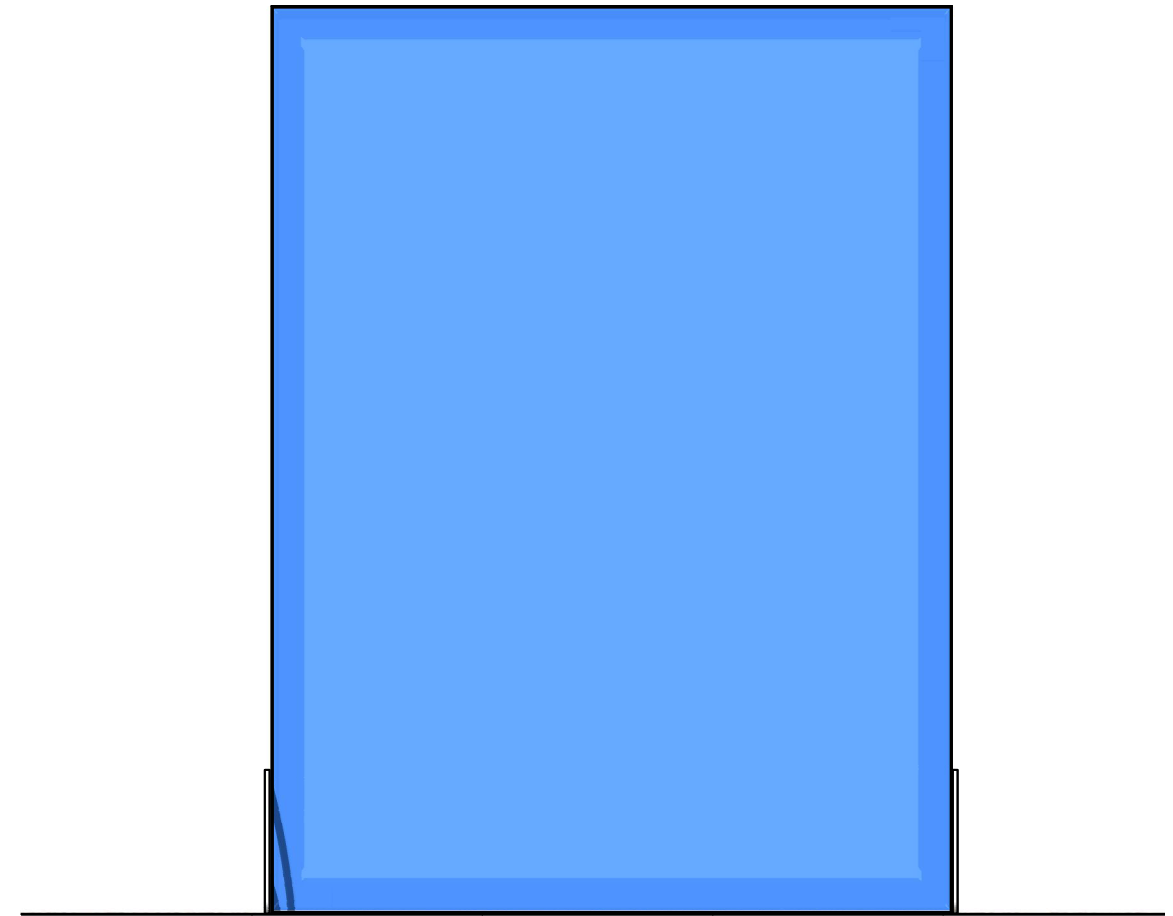
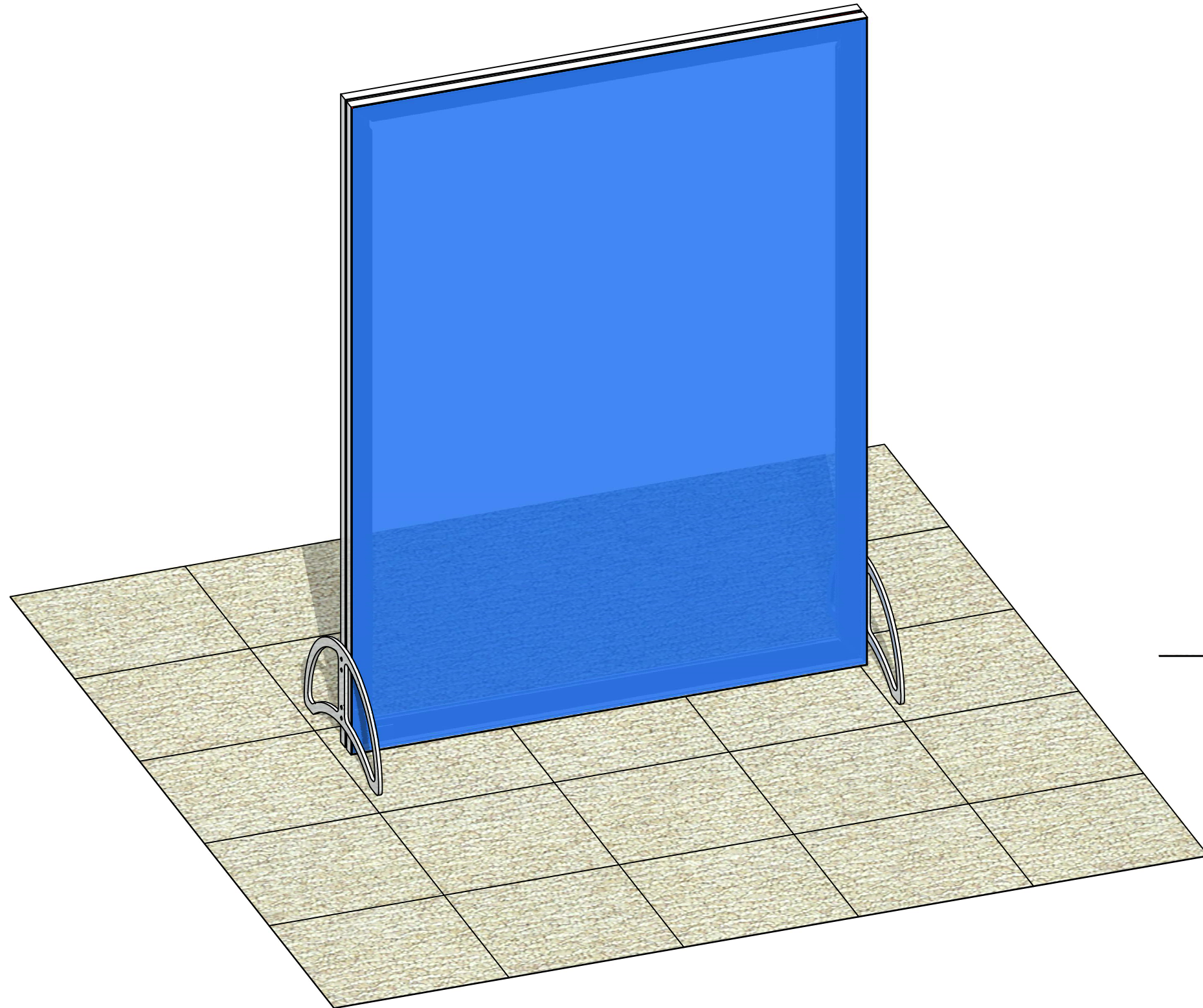
SET-UP NOTES

1. Redesign of this exhibit without approval by the manufacture may result in dangerous and unsafe structures. The manufacture disclaims any responsibility for redesigned exhibits it does not approve in writing.
2. Parts and components such as panels and extrusions are manufactured to metric sizing. Where ever possible sizes have been noted in feet and inches as well as in metric. Below is the imperial to metric sizing table as reference. "Nominal" refers to approximate size.

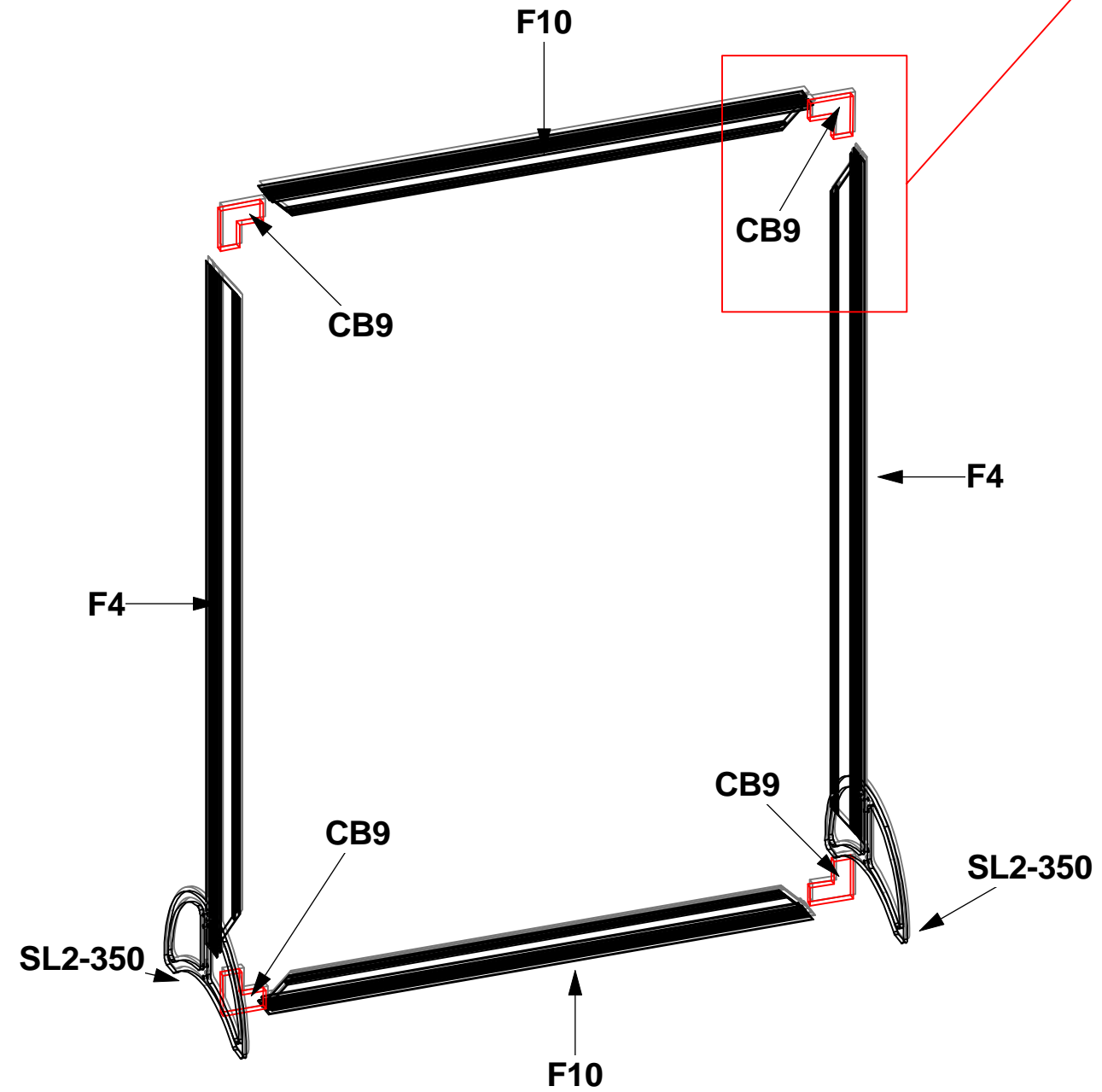
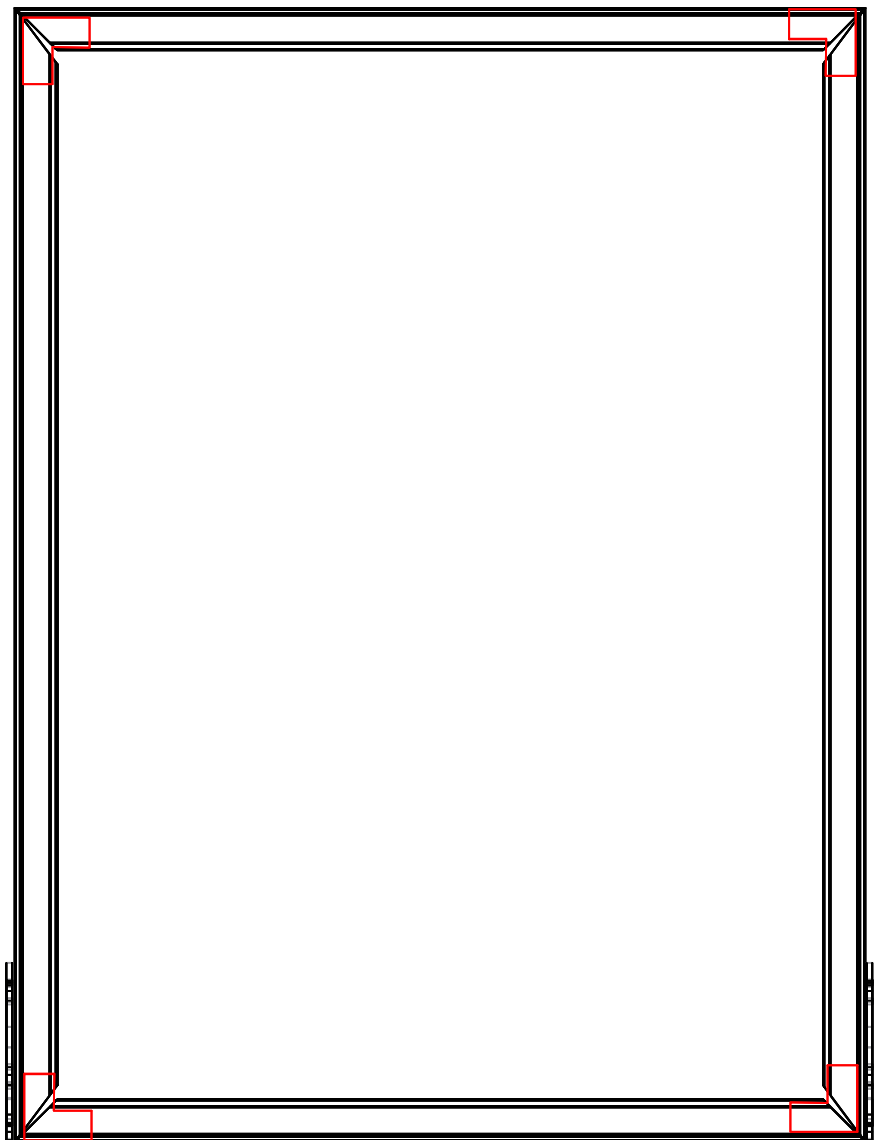
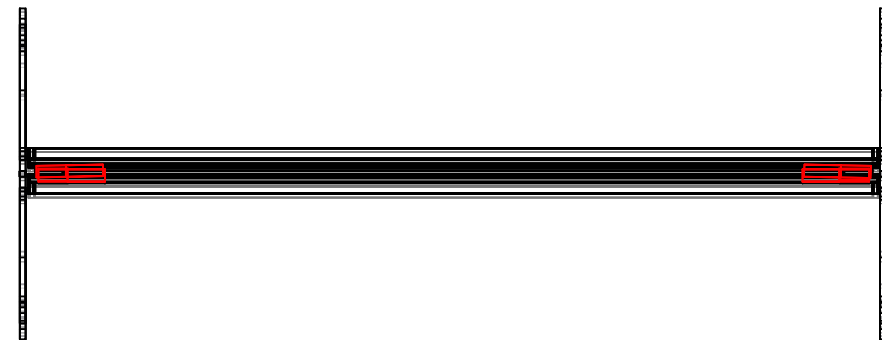
IMPERIAL TO METRIC SIZES

8' Nominal = 94 1/2" or 2400mm Actual
4' Nominal = 47 1/4" or 1200mm Actual
3' Nominal = 35 7/16" or 900mm Actual
2' Nominal = 23 5/8" or 600mm Actual
1' Nominal = 11 13/16" or 300mm Actual

VECTOR FRAME BANNERS R-01



Code	#	Description
F10	2	PHFC2-900-1 [35 3/8"] (Mitre / Corner Lock Both ends - No Locks)
F4	2	PHFC2-1200-1[47 1/4"] (Mitre / Corner Lock Both ends - No Locks)
CB9	4	90 DEGREE CORNER LOCK CONNECTOR
SL2-350	2	Support Leg



NOTE: TURN EACH CAM A LITTLE BIT, AND THEN GO BACK AND TIGHTEN BOTH TO THE PROPER TENSION.

CAM
CB9

SL2-350 TO PHFC2

PHFC2
T HANDLE
LOCK

LOCK HORIZONTAL EXTRUSION BY USING T- HANDLE TOOL

90 Deg. CB9 TO PHFC2

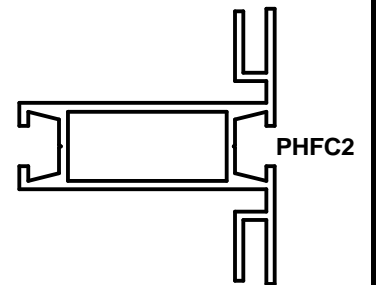
PHFC2
PHFC2
LOCK
T HANDLE

Slide CB9 together with extrusion. Then tighten the screws to lock the CB9s together

1. Redesign of this exhibit without approval by the manufacture may result in dangerous and unsafe structures. The manufacture disclaims any responsibility for redesigned exhibits it does not approve in writing.
 2. Parts and components such as panels and extrusions are manufactured to metric sizing. Where ever possible sizes have been noted in feet and inches as well as in metric. Below is the imperial to metric sizing table as reference. "Nominal" refers to approximate size.

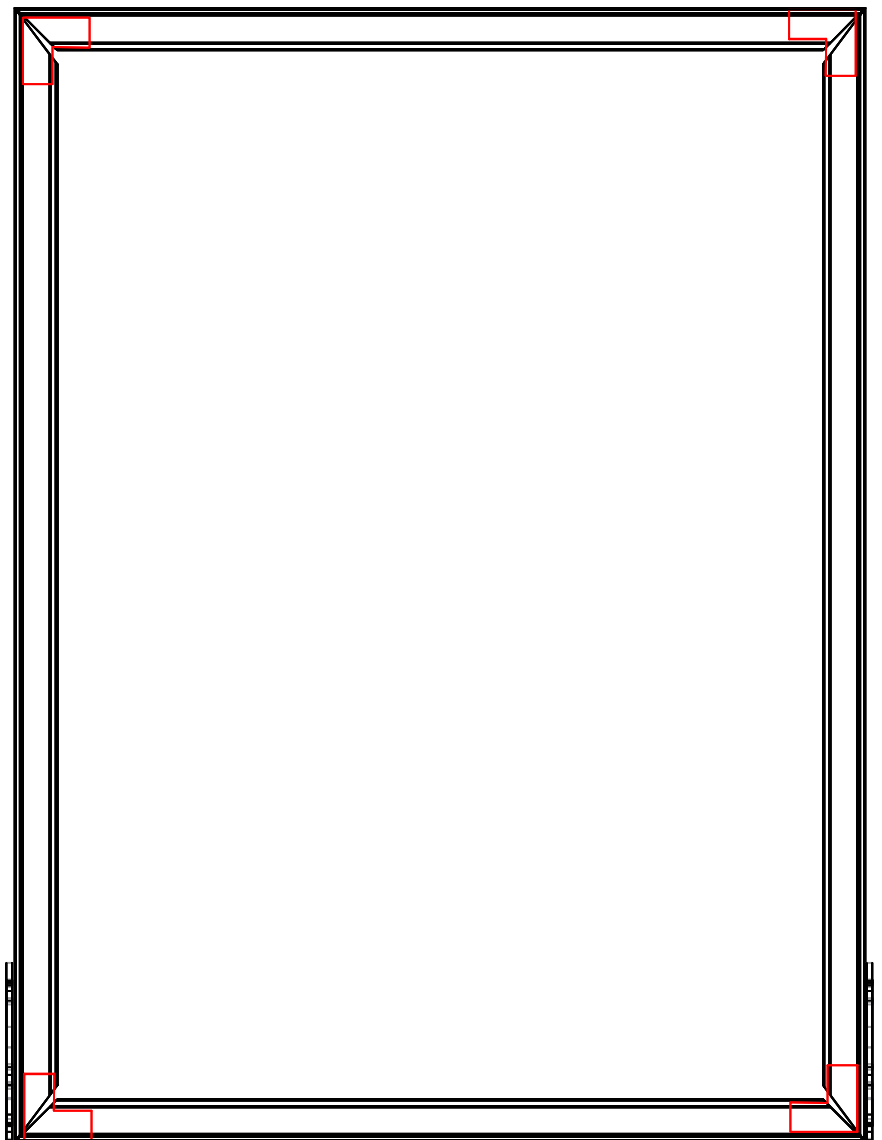
2400mm = (94 1/2")	Phone Line / Fax
2100mm = (82 5/8")	Internet connection
1800mm = (70 7/8")	Outlet
1500mm = (59")	Main Drop (point of distrution)
1200mm = (47 1/4")	
900mm = (35 1/2")	
600mm = (23 5/8")	
300mm = (11 7/8")	

--- Wire running under carpet ---

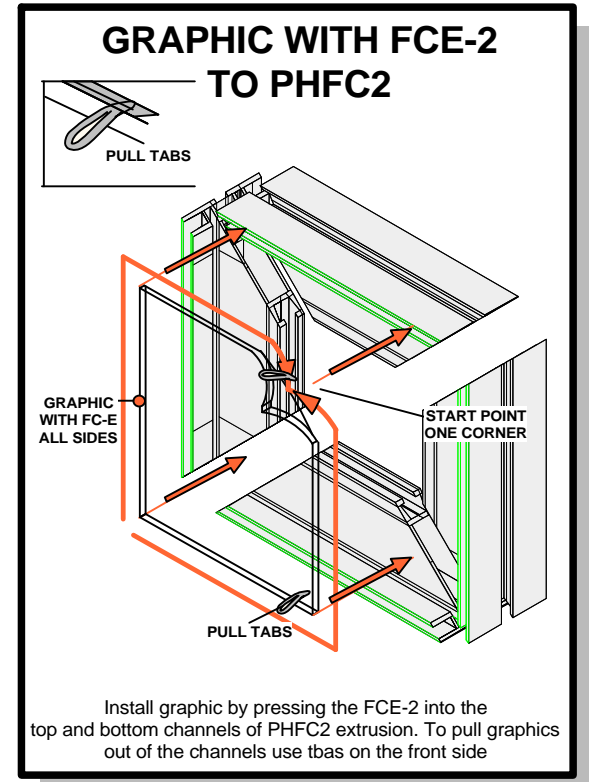
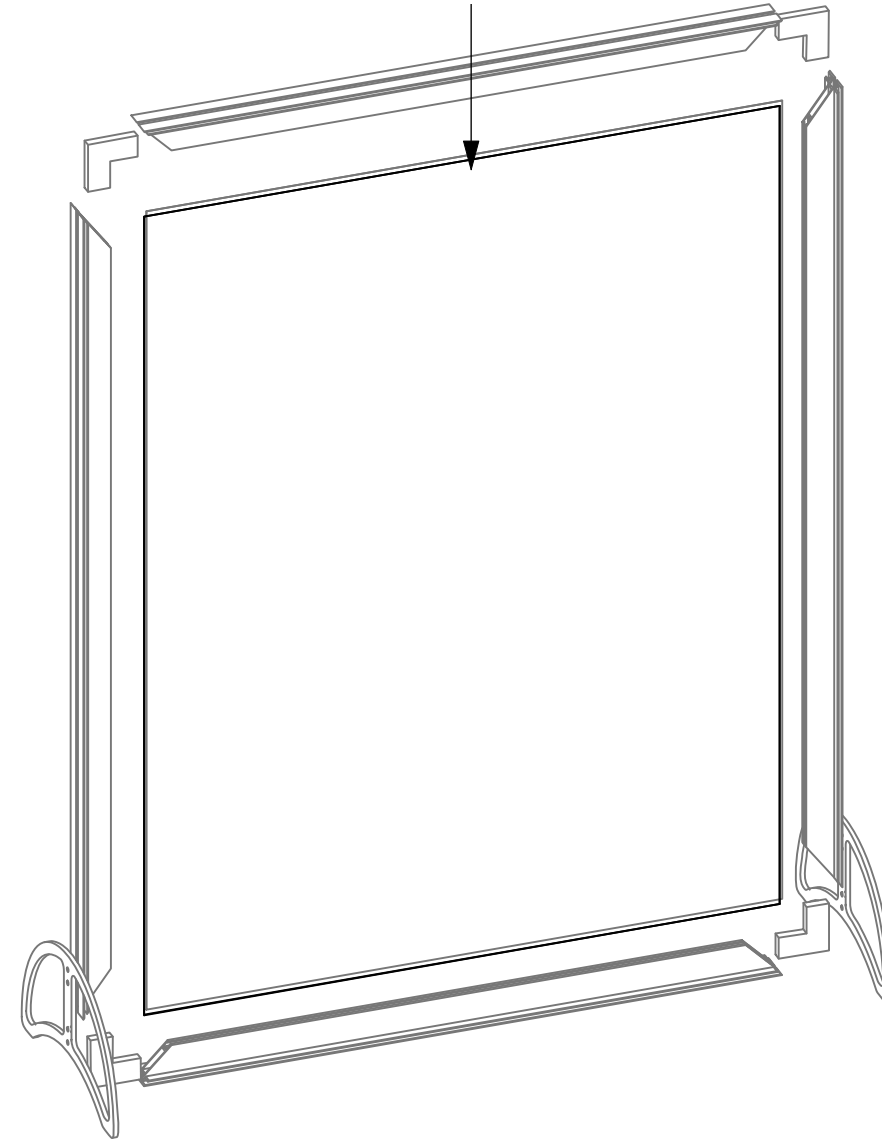


VECTOR FRAME BANNERS R-01
 Title: SET-UP INSTRUCTIONS

Code	#	Description
SMP-43-G	1	47.25"H X 35.43"W SINGLE SIDED DYESUB GRAPHIC (UNLINED) PRINTED ON OXFORD W/ FCE-2 ALL 4 SIDES



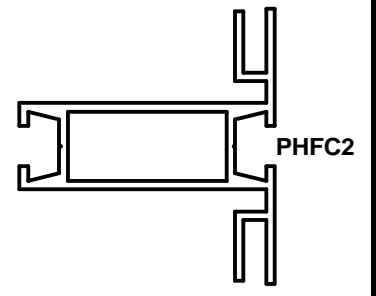
SMP-43-G



1. Redesign of this exhibit without approval by the manufacture may result in dangerous and unsafe structures. The manufacture disclaims any responsibility for redesigned exhibits it does not approve in writing.
 2. Parts and components such as panels and extrusions are manufactured to metric sizing. Where ever possible sizes have been noted in feet and inches as well as in metric. Below is the imperial to metric sizing table as reference. "Nominal" refers to approximate size.

2400mm = (94 1/2")	Phone Line / Fax
2100mm = (82 5/8")	Internet connection
1800mm = (70 7/8")	Outlet
1500mm = (59")	Main Drop (point of distrution)
1200mm = (47 1/4")	
900mm = (35 1/2")	
600mm = (23 5/8")	
300mm = (11 7/8")	

--- Wire running under carpet ---



VECTOR FRAME BANNERS R-01
 Title: SET-UP INSTRUCTIONS