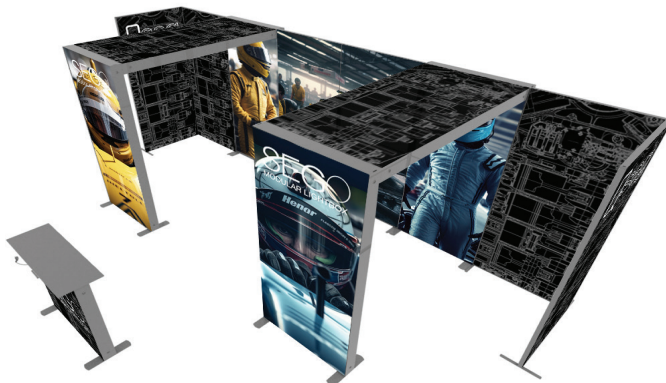
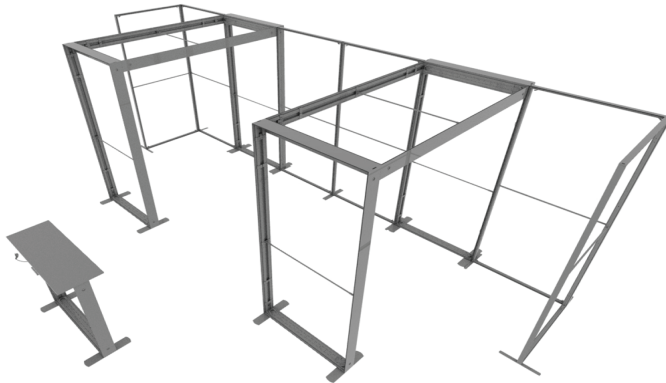


SEGO QSEG CONFIGURATION C

SEGO & QSEG MODULAR SEG DISPLAY
 PRODUCT CODE: SEGO-QSEG-C



On frame On graphic



PRODUCT DESCRIPTION

When modular worlds collide! The SEGO + QSEG configurations offer a perfect blend of backlit and non backlit graphics for your tradeshow or exhibition needs. Emphasize your message with vibrant backlit graphics on SEGO lightbox frames that pair well with non backlit graphics on the QSEGs. All frames showcase double sided graphics so your message can be seen from almost any angle. All graphics are dye sub printed with SEG (Silicone Edge Graphic) finishing which makes for easy graphic install and change out. Frame assembly and modular connection is all tool free so you don't have to worry about having tools on hand for booth setup and breakdown. Specialized connectors were developed to marry the two systems and have connectors for inline as well as 90° corners. Chose from our standard SEGO + QSEG configurations or contact us for a custom quote. SEGO + QSEG.... Name a better duo I'll wait...

Please check your tradeshow guidelines to make sure this configuration conforms to the show regulations. If adjustments to the configuration are required to meet the show requirements please contact us

DISPLAY DIMENSIONS	240"W x 88.5"H x 104.5"D
GRAPHIC SIZE	41.5"W x 91"H (QSEG-100x225)
	41.5"W x 91"H (SEGO-100x225)
	41.5"W x 41.5"H (SEGO-CNTR)

GRAPHIC MATERIAL

Dye Sub Stretch Fabric (QSEG Frames)
 Dye Sub Backlit Fabric (SEGO Frames)

GRAPHIC FINISHING

12mm x 3mm Silicone beading sewn around perimeter

DISPLAY CONSTRUCTION

Aluminum extrusion frames with plastic components

SHIPPING WEIGHTS & DIMENSIONS

Shipping Weight (each box)	16 lbs (QSEG-100X225) (6 boxes)
	32 lbs (SEGO-100x225) (6 boxes)
	31 lbs (SEGO-CNTR) (1 box)
Shipping Dimensions (each box)	47.25"W x 4"H x 10.25"D (6 boxes)
	54.5"W x 15.5"H x 6.75"D (6 boxes)
	45.5"W x 15.5"H x 6.75"D (1 box)

GRAPHIC TURN AROUND TIME

2 business days after proof approval (up to 2 sets)

POWER OUTLETS REQ	7 total (see next page for light and transformer specs)
-------------------	---





On frame



On graphic



LED LIGHT AND TRANSFORMER SPECIFICATIONS INFORMATION LISTED BELOW IS PER (QTY 1) FRAME

SEGO-100X225X12

LED LIGHT SPECIFICATION	
BRAND	Osram
POWER	3W
CCT (COLOR TEMP)	6800k
AVERAGE BEAM ANGEL	20 °
LM/W	130
AVG LM/M ²	4800-5800
VOLTAGE INPUT	24V
TRANSFORMER SPECIFICATION	
POWER RATE 2 TRANSFORMERS	95W, 252W
CERTIFICATES	UL, CE, GEM
VOLTAGE INPUT	100-240V
VOLTAGE OUTPUT	24V

LUMENS	
VOLTAGE (V)	24
POWER (W)	90
LM/W	130
TOTAL LM	11700
AVG LM	5850
CU	.8
EAV	4680

SEGO COUNTER

LED LIGHT SPECIFICATION	
BRAND	Osram
POWER	3W
CCT (COLOR TEMP)	6800k
AVERAGE BEAM ANGEL	20 °
LM/W	130
AVG LM/M ²	4800-5800
VOLTAGE INPUT	24V
TRANSFORMER SPECIFICATION	
POWER RATE 2 TRANSFORMERS	95W, 252W
CERTIFICATES	UL, CE, GEM
VOLTAGE INPUT	100-240V
VOLTAGE OUTPUT	24V

LUMENS	
VOLTAGE (V)	24
POWER (W)	45
LM/W	130
TOTAL LM	5850
AVG LM	5850
CU	.8
EAV	4680

SEGO QSEG CONFIGURATION C

SEGO & QSEG MODULAR SEG DISPLAY
PRODUCT CODE: SEGO-QSEG-C



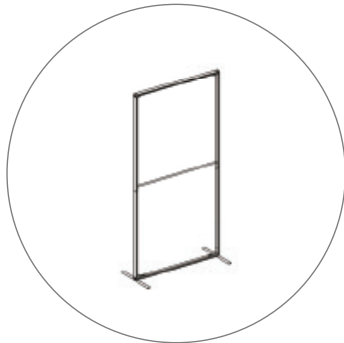
On frame



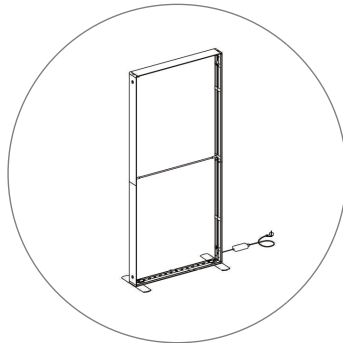
On graphic



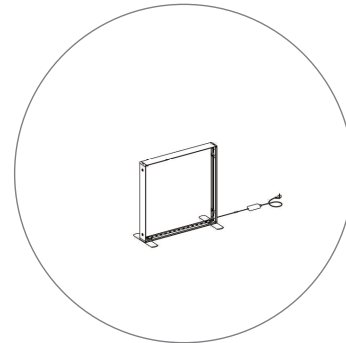
PARTS LIST



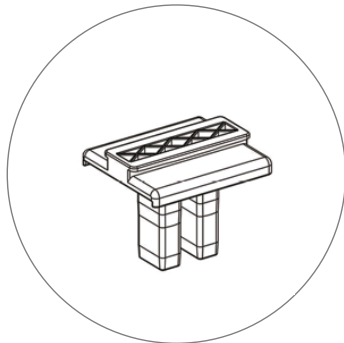
(qty 6)
QSEG-100x225



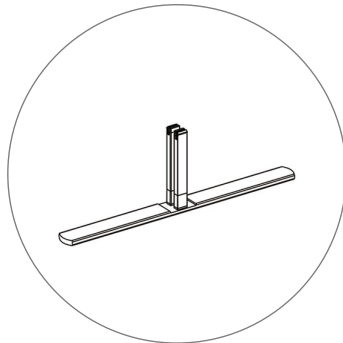
(qty 6)
SEGO-100X225X12



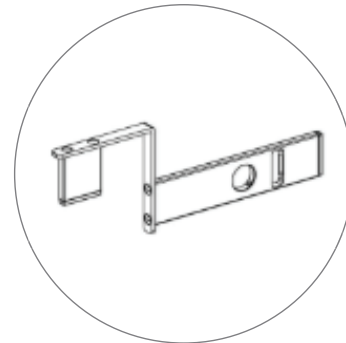
(qty 1)
SEGO-CNTR



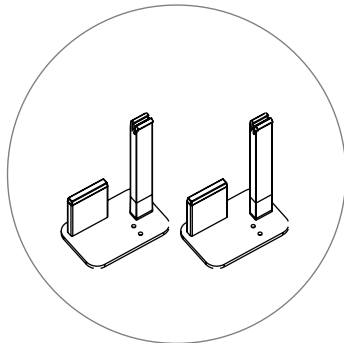
(qty 1)
QSEG-SCON



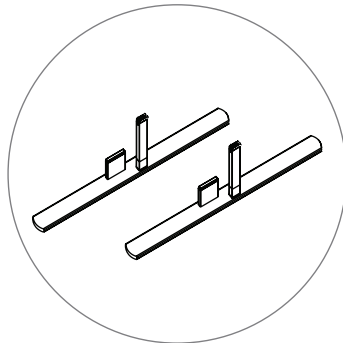
(qty 1)
QSEG-TPFF



(qty 8)
SEGO-BC



(qty 4 sets)
SEGO-QSEG-SB-CON

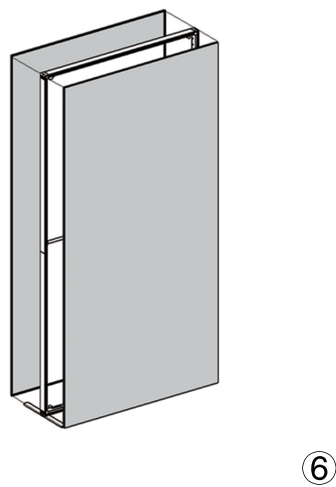
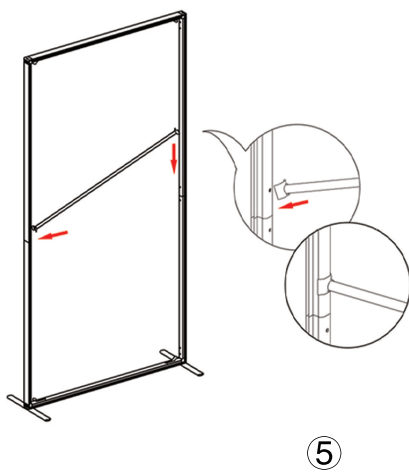
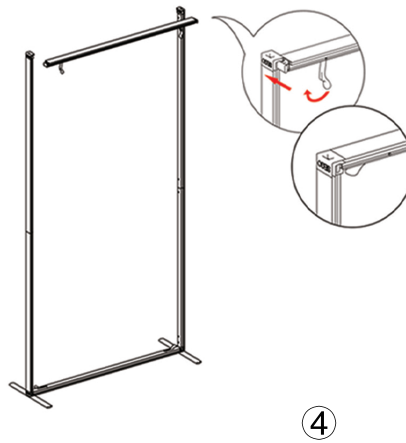
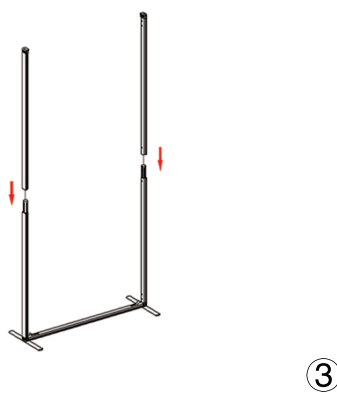
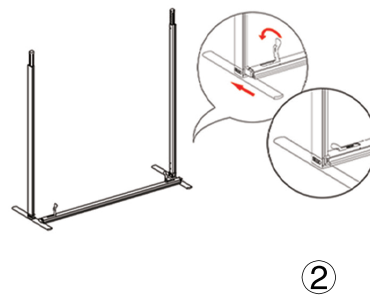
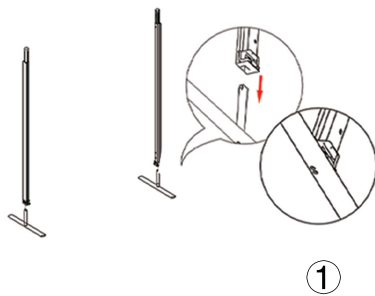


(qty 8 sets)
SEGO-QSEG-ST-CON



(qty 2)
SEGO-5MWIRE

SET UP INSTRUCTIONS QSEG-100X225



SEGO QSEG CONFIGURATION C

SEGO & QSEG MODULAR SEG DISPLAY
PRODUCT CODE: SEGO-QSEG-C



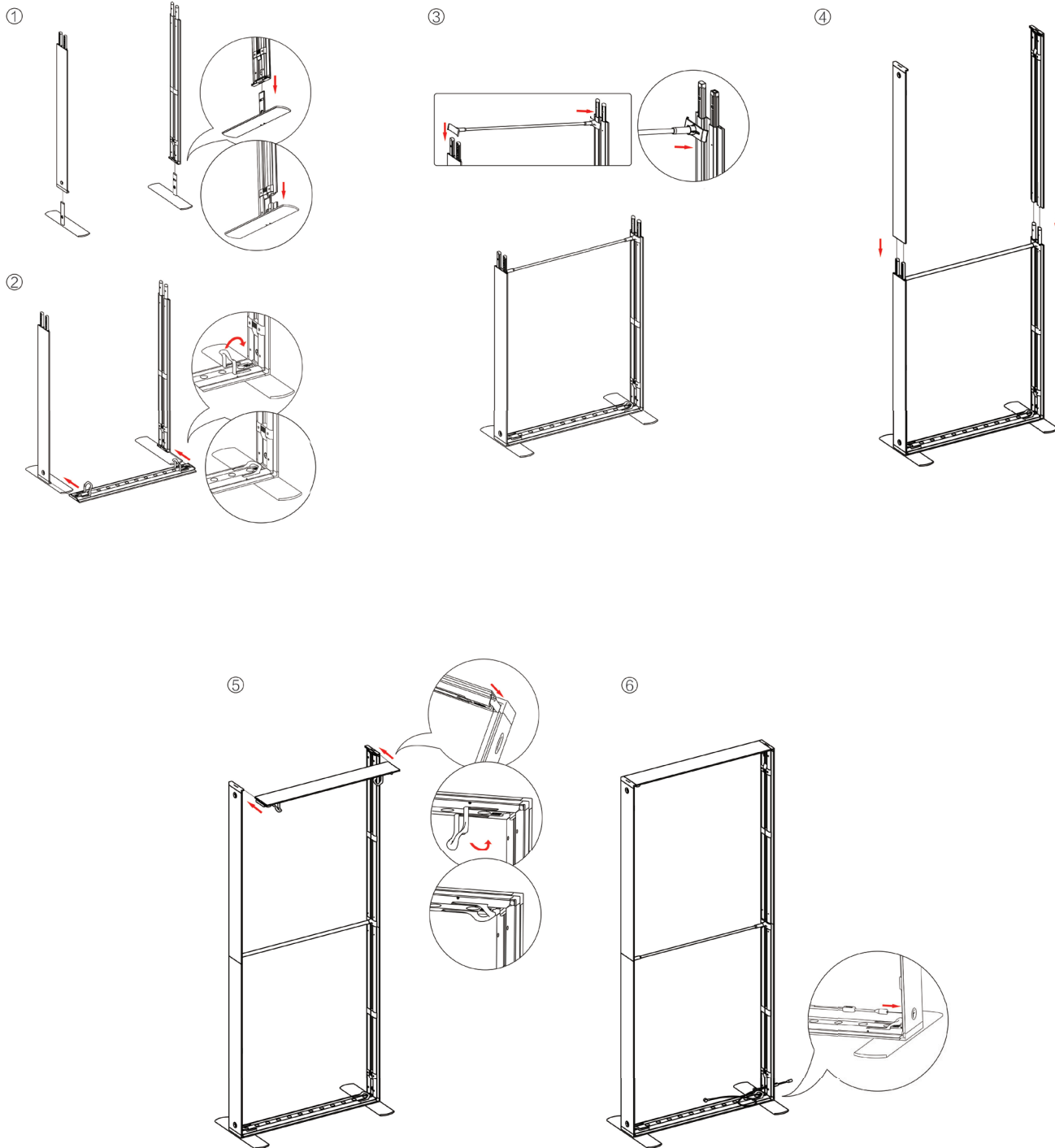
On frame



On graphic



SET UP INSTRUCTIONS SEGP-100X225X12



SEGO QSEG CONFIGURATION C

SEGO & QSEG MODULAR SEG DISPLAY
PRODUCT CODE: SEGO-QSEG-C



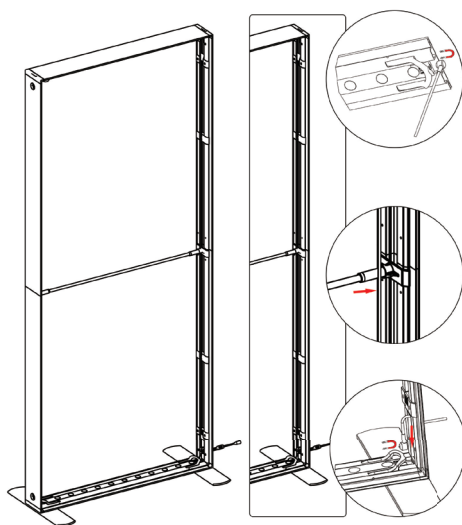
On frame



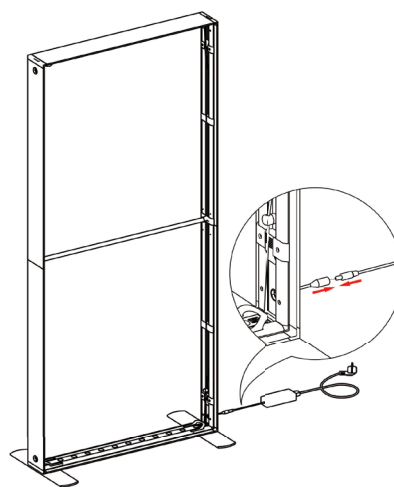
On graphic



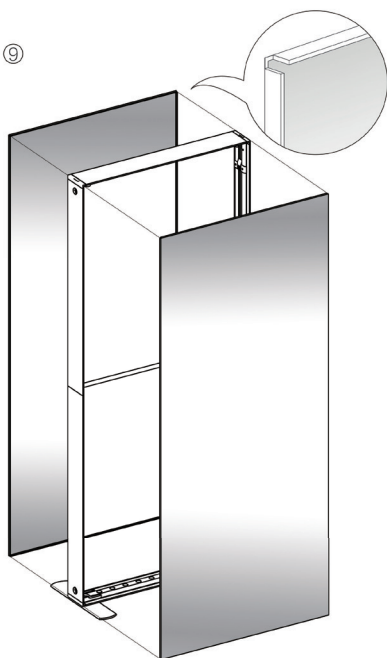
7



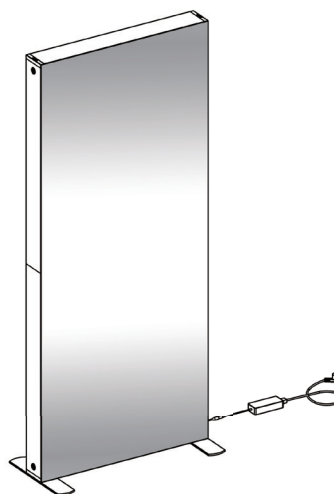
8



9



10



SEGO QSEG CONFIGURATION C

SEGO & QSEG MODULAR SEG DISPLAY
PRODUCT CODE: SEGO-QSEG-C



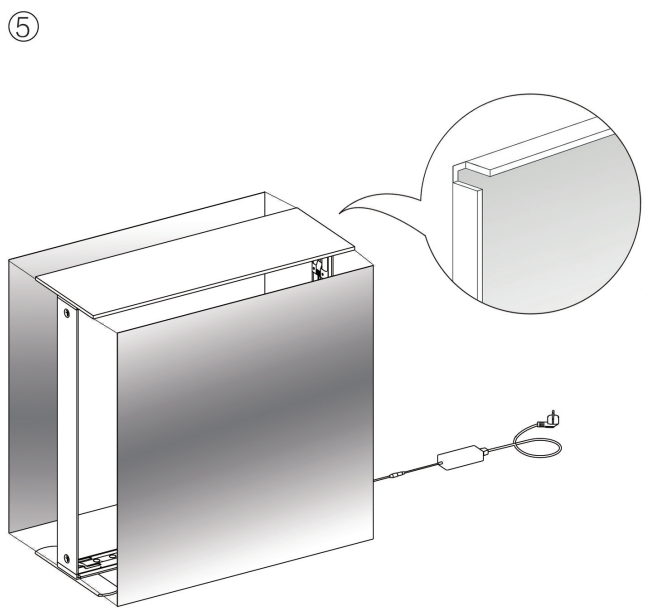
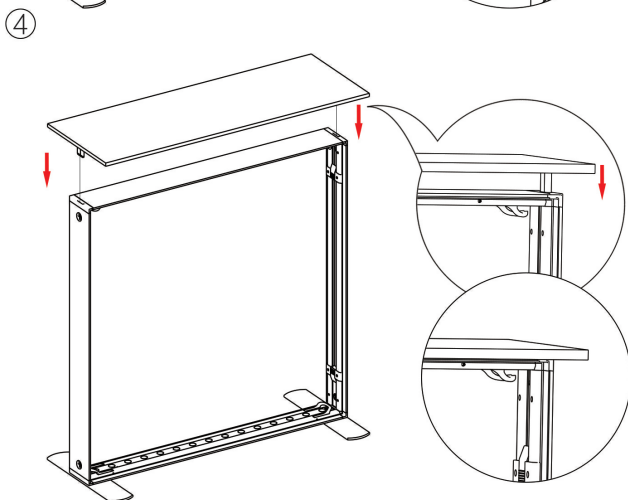
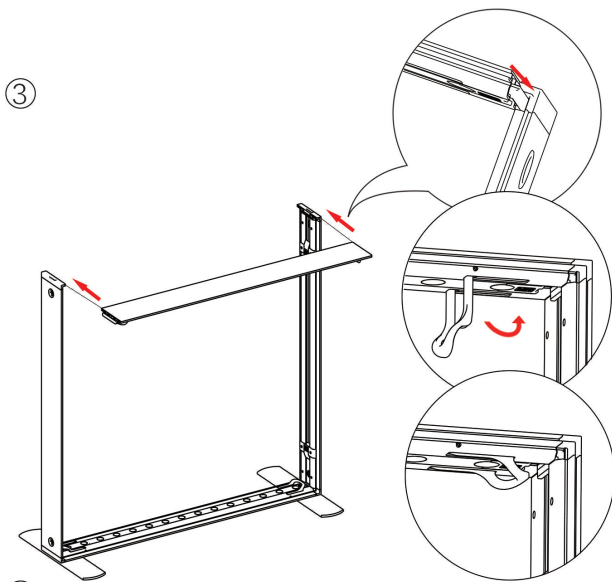
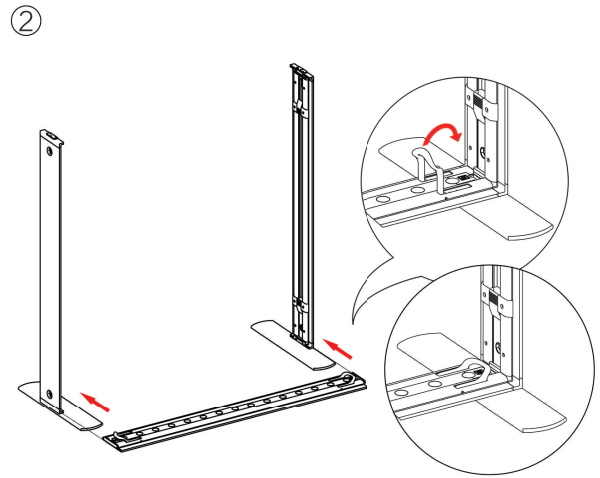
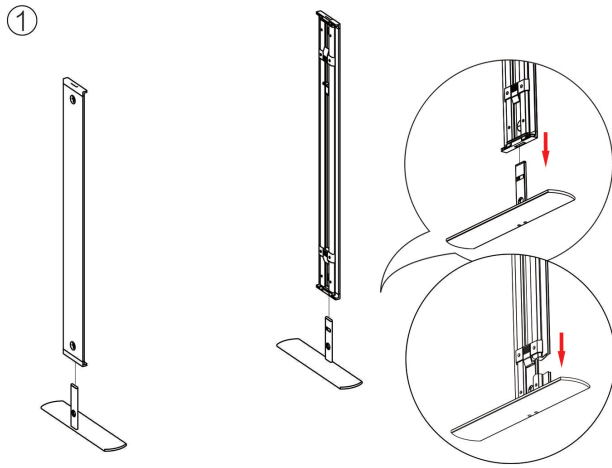
On frame



On graphic



SET UP INSTRUCTIONS SEGO-CNTR



SEGO QSEG CONFIGURATION C

SEGO & QSEG MODULAR SEG DISPLAY
PRODUCT CODE: SEGO-QSEG-C



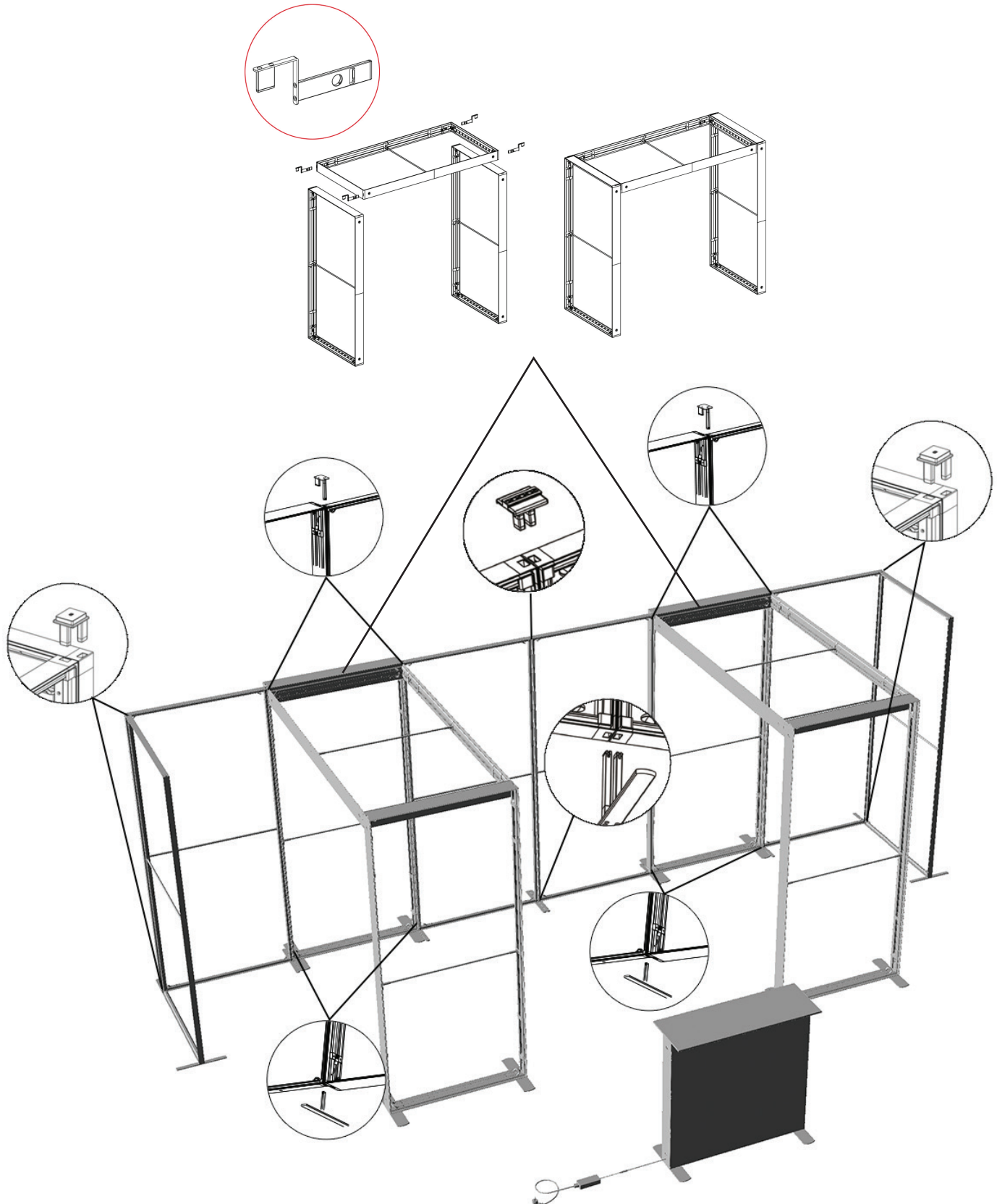
On frame



On graphic



SET UP INSTRUCTIONS TRADESHOW BOOTH ASSEMBLY



SEGO QSEG CONFIGURATION C

SEGO & QSEG MODULAR SEG DISPLAY
 PRODUCT CODE: SEGO-QSEG-C



On frame On graphic

TEMPLATES

