

SEGO CONFIGURATION F

SEGO MODULAR LIGHTBOX DISPLAY

PRODUCT CODE:SEGO-F-20x10G



On frame On graphic



PRODUCT DESCRIPTION

The advanced technology of the new SEGO modular lightbox system combines innovation with intuition. Toolless down to its feet, SEGO is designed to help heighten your display experience. Magnetic electrical connectors light up the UL certified LED lights that come pre-installed in the profiles. Electrical wires stay hidden from view. Edge-to-edge customizable SEG backlit fabric graphics cover the front and back of the aluminum frame. Portable, configurable, desirable, SEGO is a lightbox unlike the others. SEGO is so well thought out, even its durable foam cut carry bag is made distinctly to keep all parts and pieces protected and organized.

| | |
|--------------------|------------------------------------|
| DISPLAY DIMENSIONS | 236.25"W x 88.25"H x 104.5"D |
| GRAPHIC SIZES | 39.75"W x 88.625"H (SEGO-100X225) |
| | 78.125"W x 88.625"H (SEGO-200X225) |

GRAPHIC MATERIAL

Dye Sub Backlit Fabric

GRAPHIC FINISHING

Silicone beading sewn onto edge of graphic

DISPLAY CONSTRUCTION

Aluminum extrusion frame with plastic components

SHIPPING WEIGHTS & DIMENSIONS

| | |
|---|---------------------------------------|
| Shipping Weight SEGO-100X225 (10 boxes total) | 32 lbs (frame & graphic-each box) |
| Shipping Weight SEGO-200X225 (2 boxes total) | 37 lbs (frame & graphic-each box) |
| Shipping Dimensions (each box) | 54.5"W x 15.5"H x 6.75"D (x 12 boxes) |

GRAPHIC TURN AROUND TIME

2 business days after proof approval (up to 2 configurations)

| | |
|--------------|----|
| AVAILABILITY | CA |
|--------------|----|

LED LIGHT SPECIFICATION

| | |
|-----------------------|-----------|
| BRAND | Osram |
| POWER | 3W |
| CCT (COLOR TEMP) | 6800k |
| AVERAGE BEAM ANGLE | 20 ° |
| LM/W | 130 |
| AVG LM/M ² | 4800-5800 |
| VOLTAGE INPUT | 24V |

TRANSFORMER SPECIFICATION

| | |
|---------------------------|-------------|
| POWER RATE 2 TRANSFORMERS | 95W, 252W |
| CERTIFICATES | UL, CE, GEM |
| VOLTAGE INPUT | 100-240V |
| VOLTAGE OUTPUT | 24V |

LUMENS (100X225-EACH FRAME)

| | |
|-------------|-------|
| VOLTAGE (V) | 24 |
| POWER (W) | 90 |
| LM/W | 130 |
| TOTAL LM | 11700 |
| AVG LM | 5850 |
| CU | .8 |
| EAV | 4680 |

LUMENS (200X225)

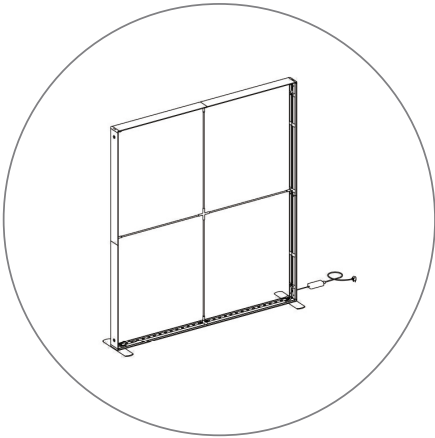
| | |
|-------------|-------|
| VOLTAGE (V) | 24 |
| POWER (W) | 180 |
| LM/W | 130 |
| TOTAL LM | 23400 |
| AVG LM | 5850 |
| CU | .8 |
| EAV | 4680 |



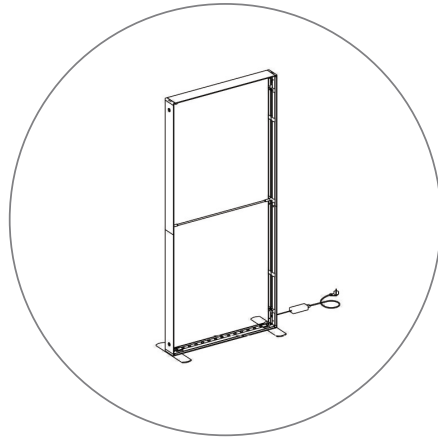
SEGO CONFIGURATION F

SEGO MODULAR LIGHTBOX DISPLAY
PRODUCT CODE:SEGO-F-20x10G

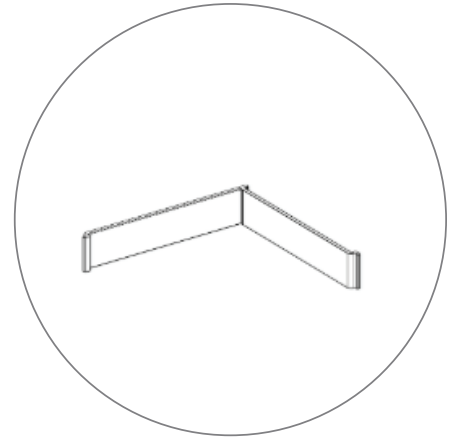
PARTS LIST



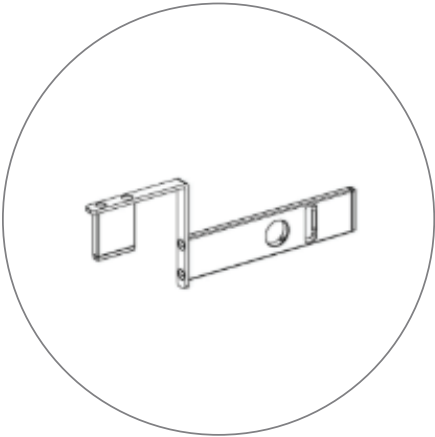
(qty 1)
SEGO-200X225X12



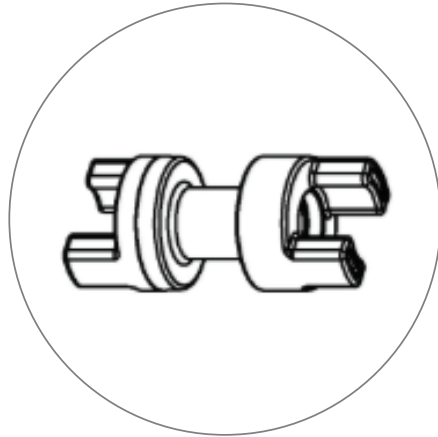
(qty 10)
SEGO-100X225X12



(qty 8)
SEGO-ILCON



(qty 4)
SEGO-BC



(qty 5)
SEGO-SCON



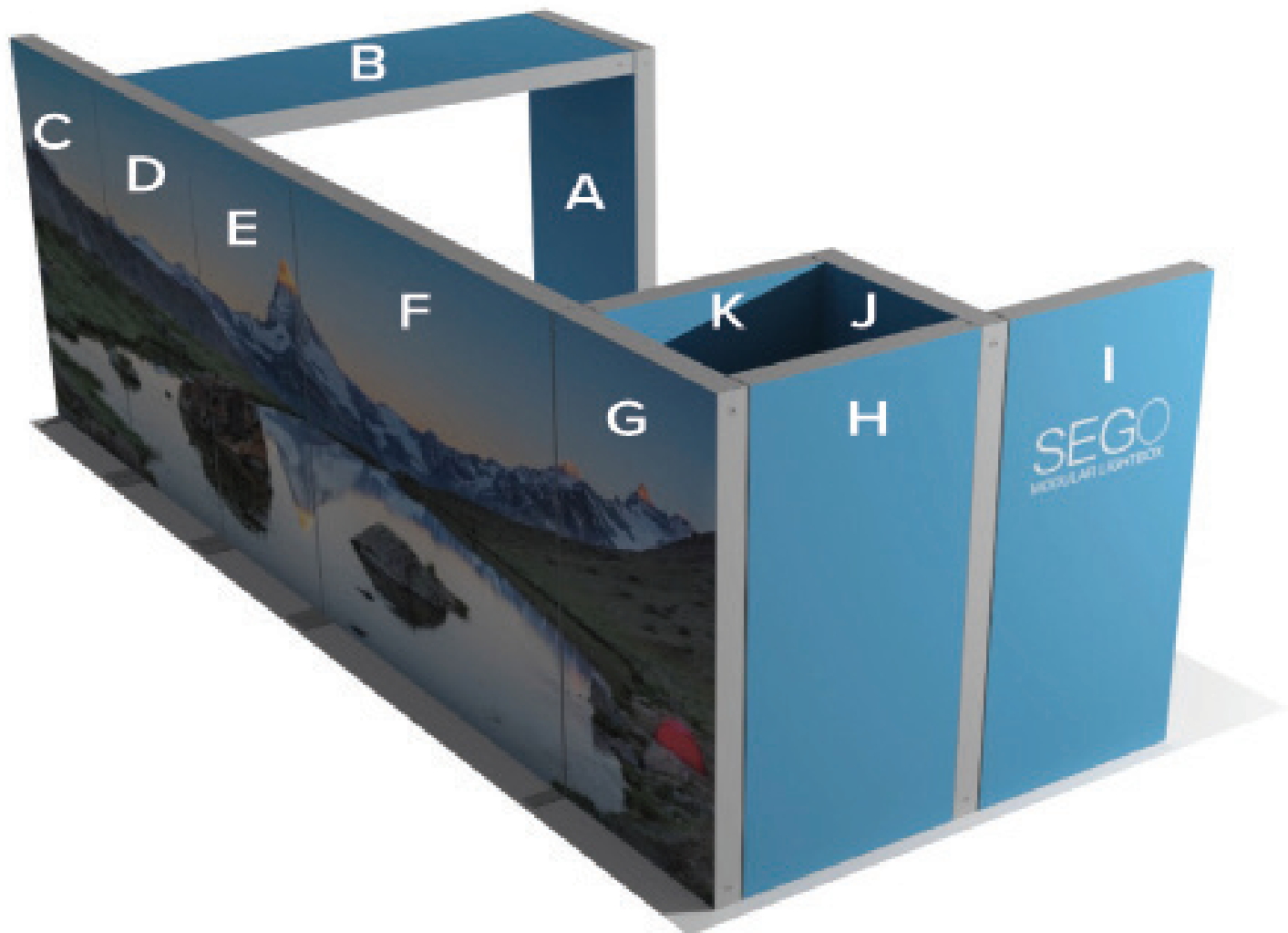
(qty 6)
SEGO-5MWIRE

SEGO CONFIGURATION F

SEGO MODULAR LIGHTBOX DISPLAY

PRODUCT CODE:SEGO-F-20x10G

SEGO Configuration F Template Guide

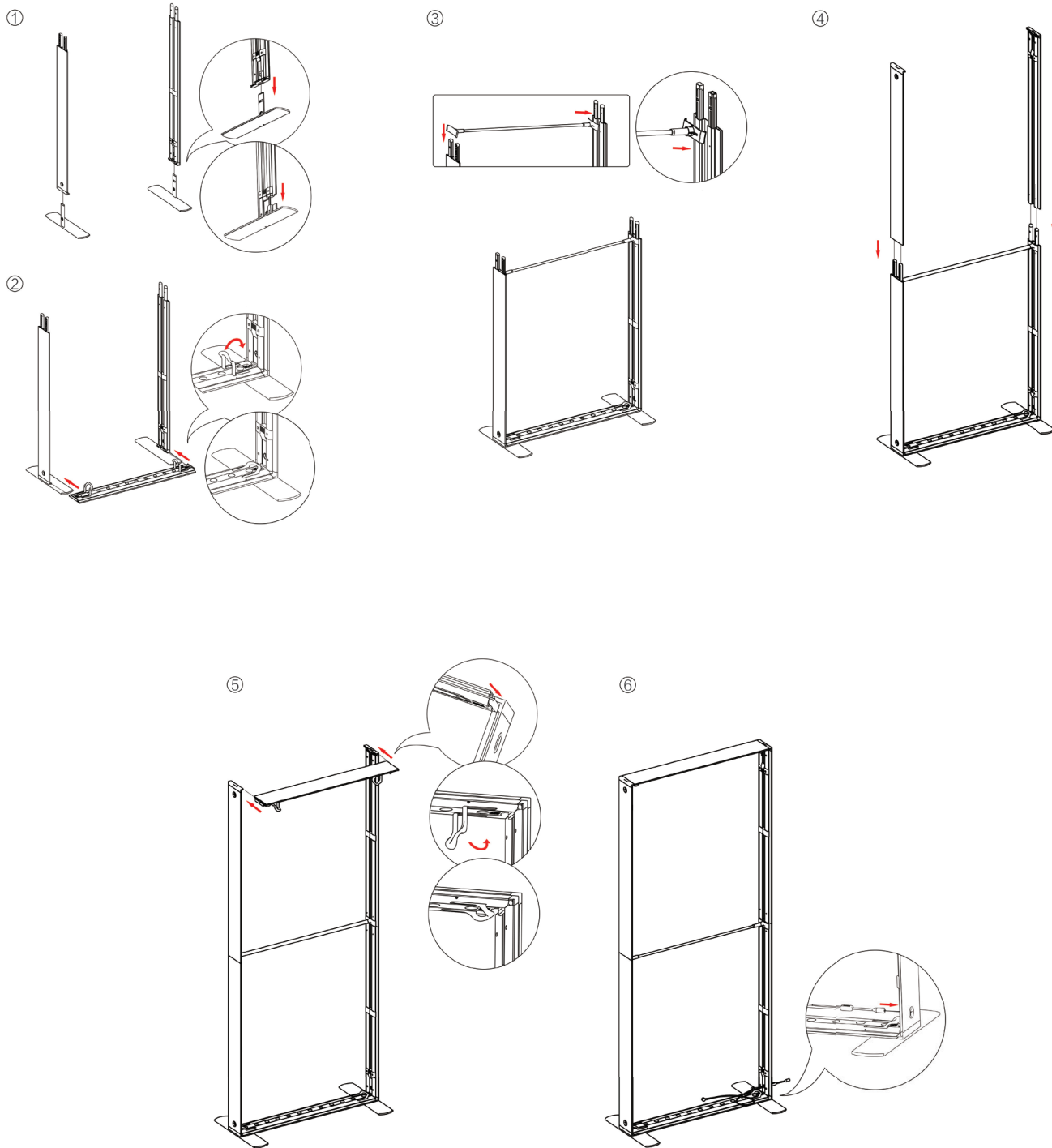


| Frame | Template Dims | Notes |
|-------|---------------------|--------------------------------|
| A | 39.75"W x 88.625"H | Obstruction on back graphic |
| B | 39.75"W x 88.625"H | Bridge |
| C | 39.75"W x 88.625"H | |
| D | 39.75"W x 88.625"H | Obstruction on front graphic |
| E | 39.75"W x 88.625"H | |
| F | 78.125"W x 88.625"H | |
| G | 39.75"W x 88.625"H | Front graphic = blackout panel |
| H | 39.75"W x 88.625"H | Front graphic = blackout panel |
| I | 39.75"W x 88.625"H | |
| J | 39.75"W x 88.625"H | Back graphic = blackout panel |
| K | 39.75"W x 88.625"H | Back graphic = blackout panel |

SEGO CONFIGURATION F

SEGO MODULAR LIGHTBOX DISPLAY
PRODUCT CODE:SEGO-F-20x10G

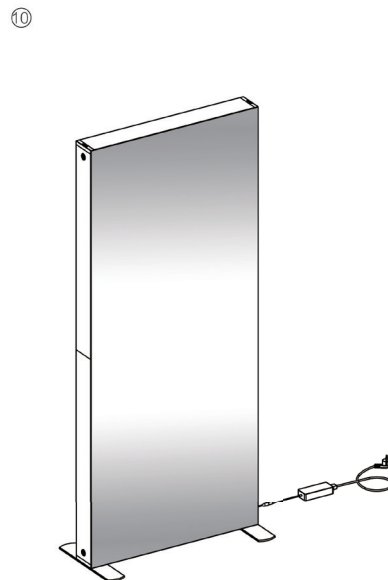
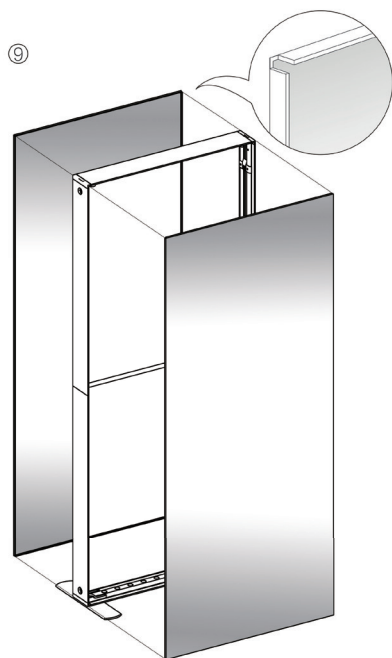
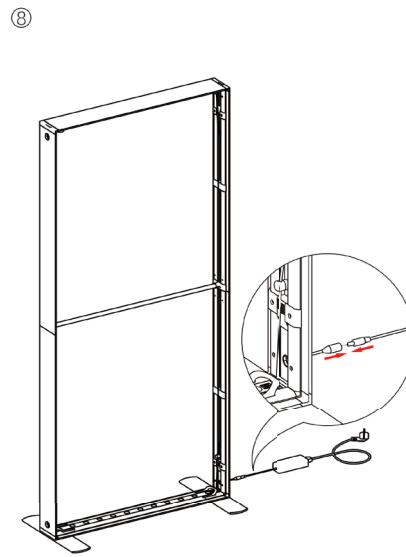
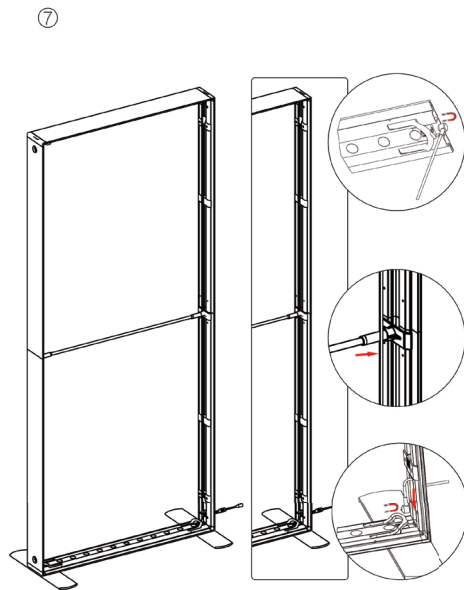
SET UP INSTRUCTIONS SEGO 100X225 FRAME ASSEMBLY



SEGO CONFIGURATION F

SEGO MODULAR LIGHTBOX DISPLAY

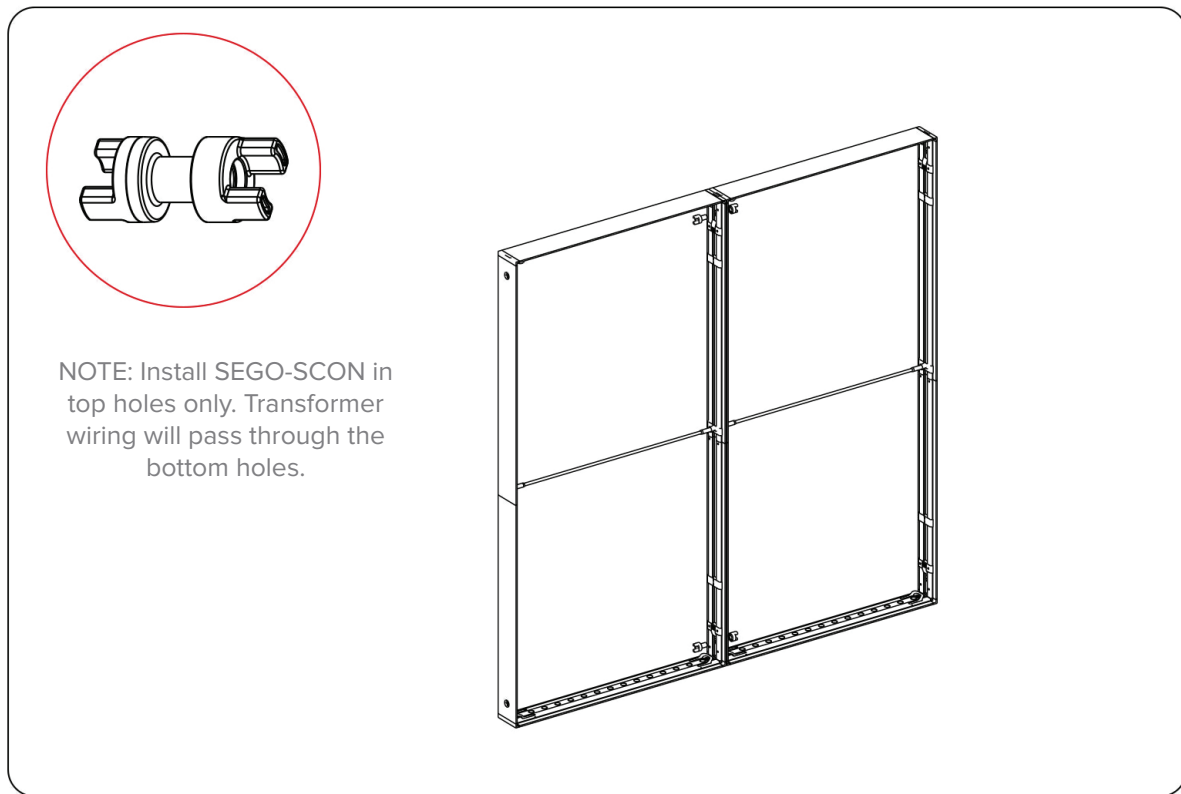
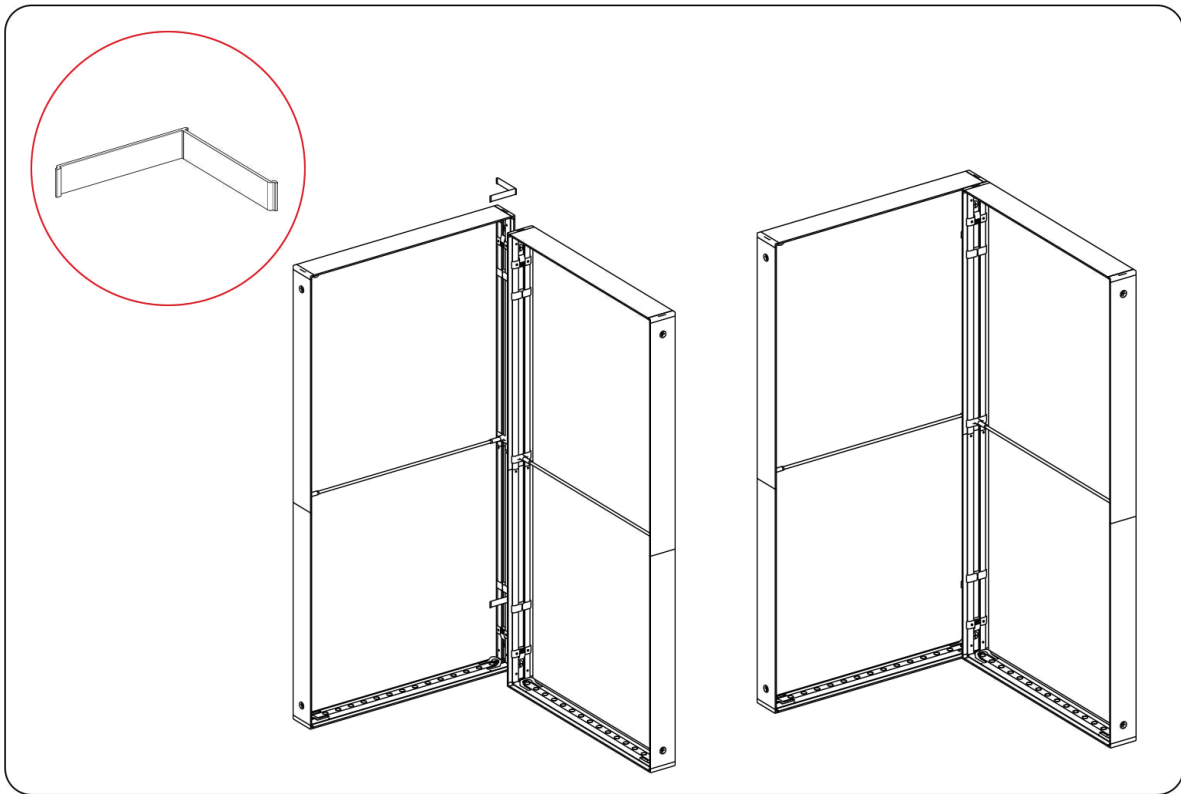
PRODUCT CODE:SEGO-F-20x10G



SEGO CONFIGURATION F

SEGO MODULAR LIGHTBOX DISPLAY
PRODUCT CODE:SEGO-F-20x10G

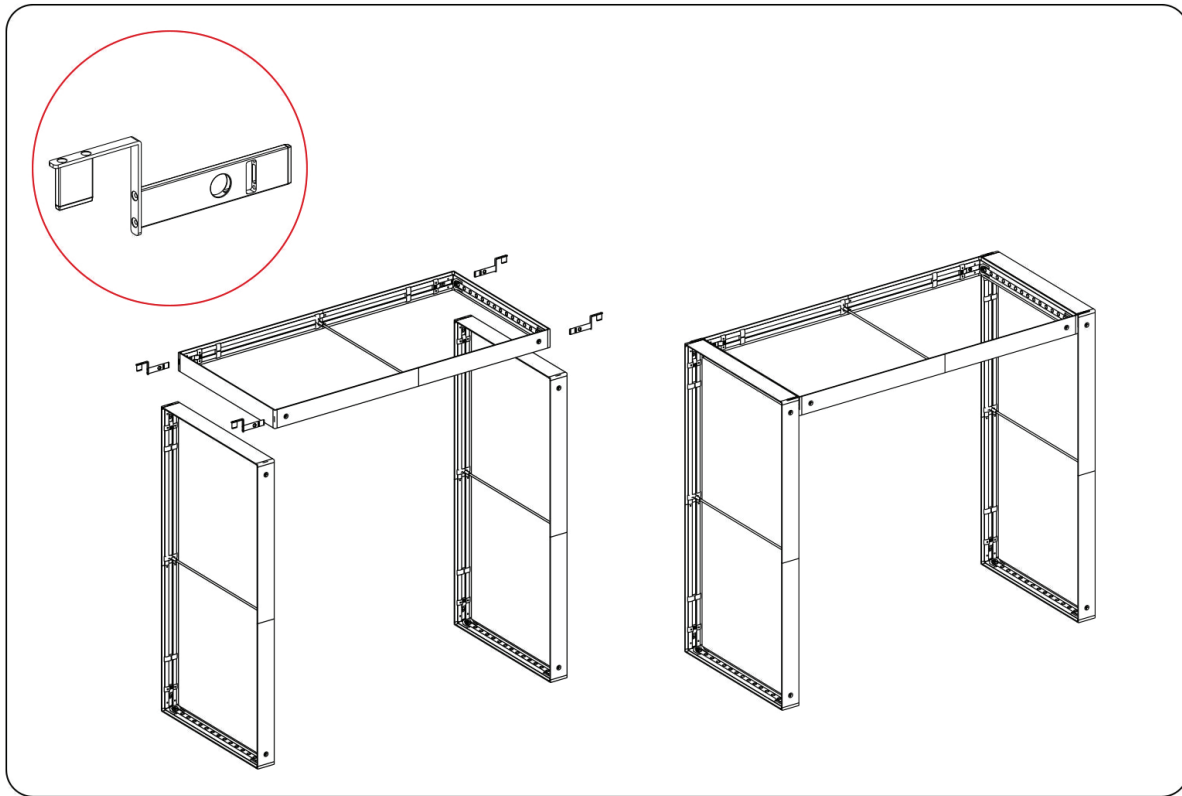
FRAME CONNECTION



SEGO CONFIGURATION F

SEGO MODULAR LIGHTBOX DISPLAY

PRODUCT CODE:SEGO-F-20x10G



SEGO CONFIGURATION F

SEGO MODULAR LIGHTBOX DISPLAY
PRODUCT CODE:SEGO-F-20x10G

TRANSFORMER WIRING CONNECTION

