

# G-LCD Series: Instructions for Use

Version 082809



It is very important to center the LCD/Plasma display in the case. This provides the greatest protection during transport.



If shipping via common carrier, case must be upright and securely strapped to pallet with casters removed. Truck freight only.

## Helpful Tip

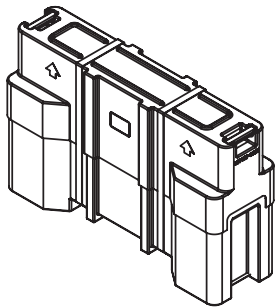
- On units equipped with (2) swivel casters: It is easiest to roll case by pushing from the end with swivel casters. This makes steering the case possible.

- The swivel casters feature a braking mechanism that will lock the wheels. The brake is activated and deactivated by depressing a lever with your foot.

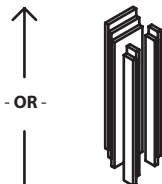
## 1 Unpack case-

You should have:

 **G-LCD Case**  
(Lid, Base, End Supports)




 **Foam Kit (14pcs)**  
(With adhesive backing)



- OR -

 **Universal Foam Blocks (x2)**  
(Conformable/repositionable)

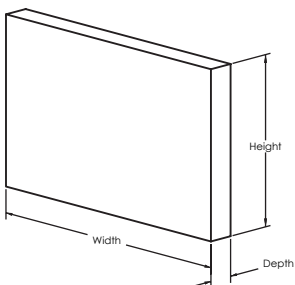


 **Caster Kit (4pcs)**  
(Assembly instructions in box)



## 2 Measure your screen-

Please note: Width | Height | Depth



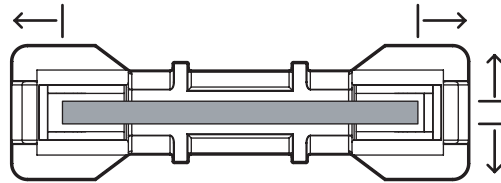
## 3 Confirm fit-

Using table below:

| Model      | W             | H     | D           |
|------------|---------------|-------|-------------|
| G-LCD-4042 | 37.5" - 41.5" | < 30" | 2.5" - 5.5" |
| G-LCD-4647 | 41.5" - 45.5" | < 30" | 2.5" - 5.5" |
| G-LCD-5052 | 48" - 52"     | < 32" | 2.5" - 5.5" |
| G-LCD-3747 | 36" - 45.5"   | < 30" | 2.5" - 5.5" |

## 4 Position display in case-

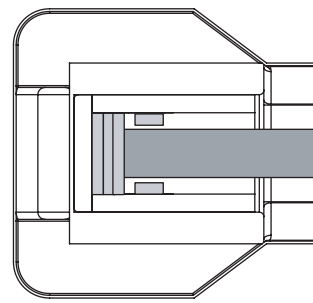
Center left to right, front to back:



## 5 Position foam to secure display-

5a) Foam Kit:

- 1) Keep protective label on adhesive backing
- 2) With screen centered in case, position foam as needed around ends. Screen size will determine foam quantity and placement (see example below).
- 3) With foam placement determined, remove foam and screen from case.
- 4) Assemble foam by removing labels and applying pressure along full length of foam blocks.
- 5) Adhere foam blocks to pre-installed foam in end supports.
- 6) Replace screen in case and check for secure fit.



5b) Universal Foam:

- 1) Position foam by wrapping the universal foam block around the edge of the screen.
- 2) Foam will compress and conform to the shape of the screen.
- 3) Press foam down into case end supports, so top of universal foam block is even with preinstalled foam on end support.
- 4) The compressed foam will hold screen in position, while preventing front to back movement during transport.
- 5) Universal foam block can be repositioned for use with different screen sizes.

