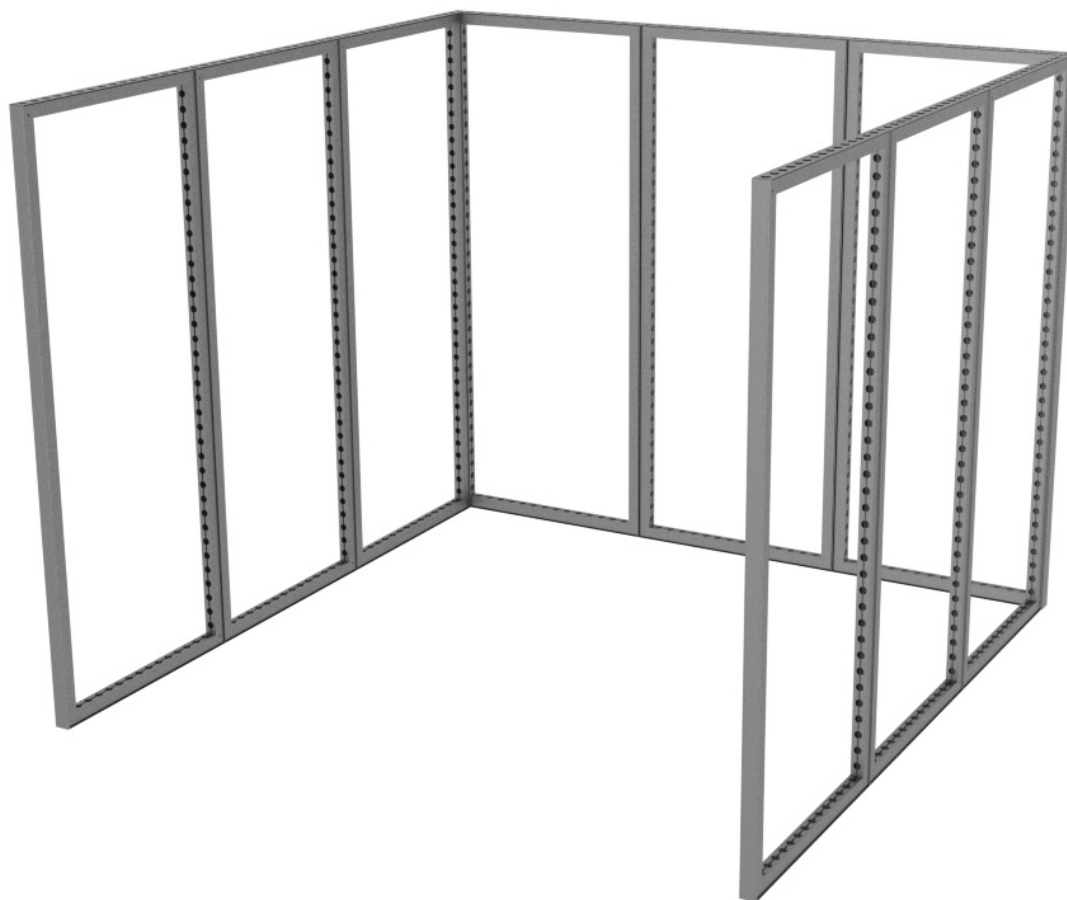
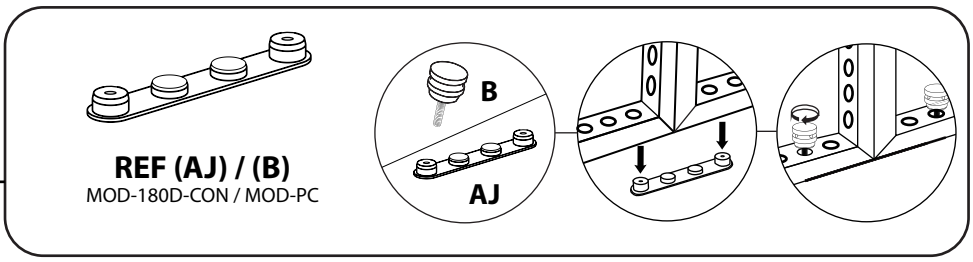
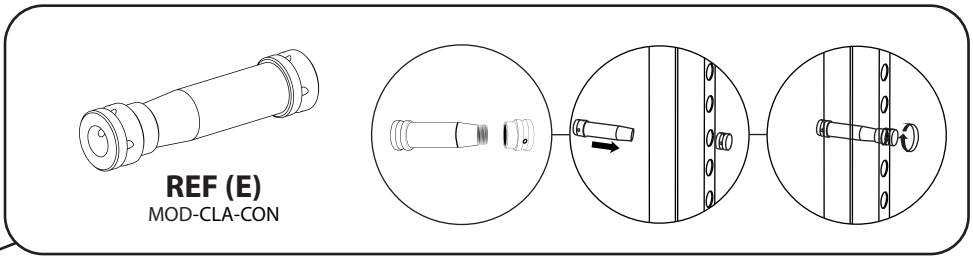
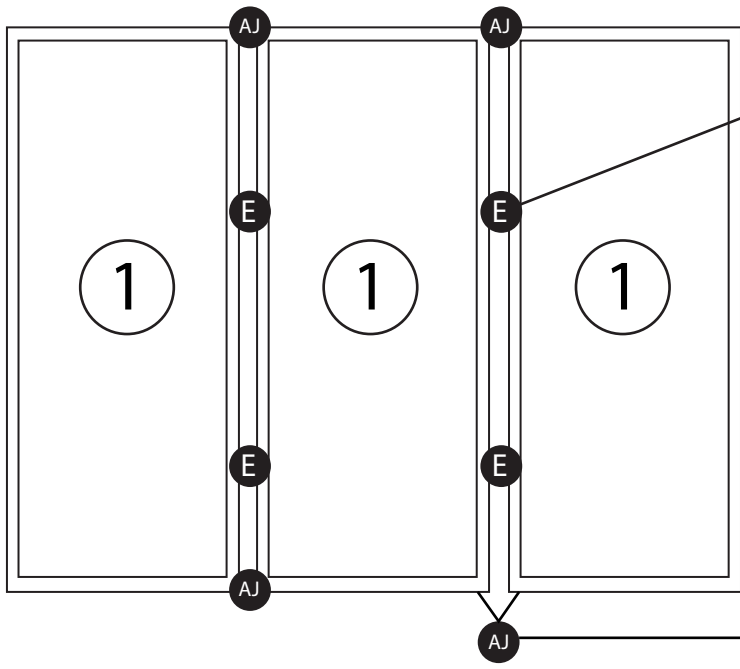


MODCO 19 - 10X10



MODCO 19 - 10X10

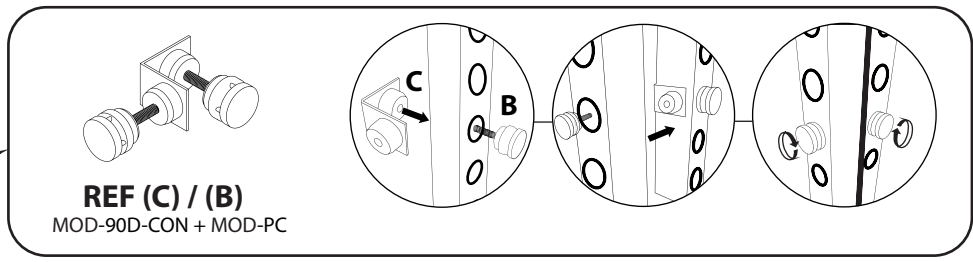
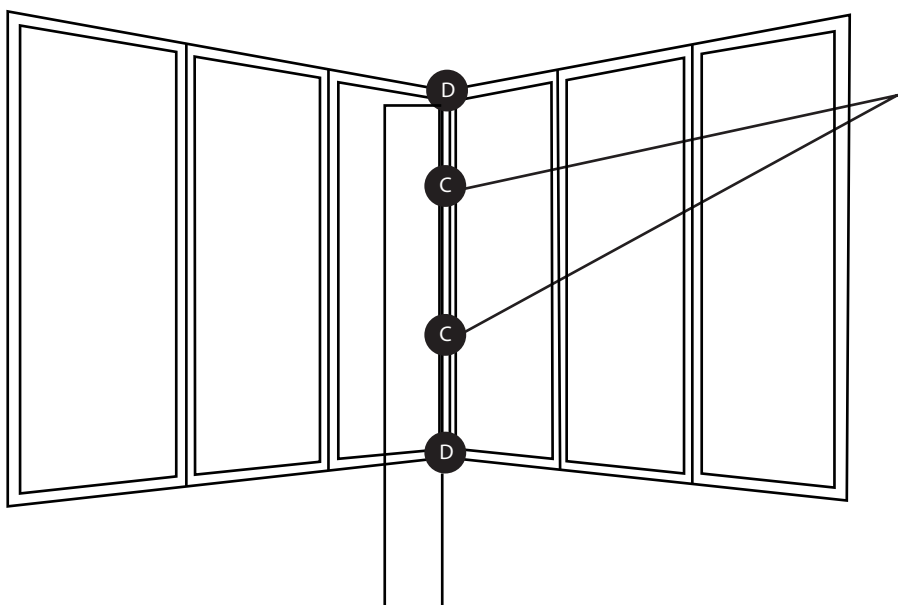
- Use REF column to reference parts. Repeat this step until you have a total of 3 walls.



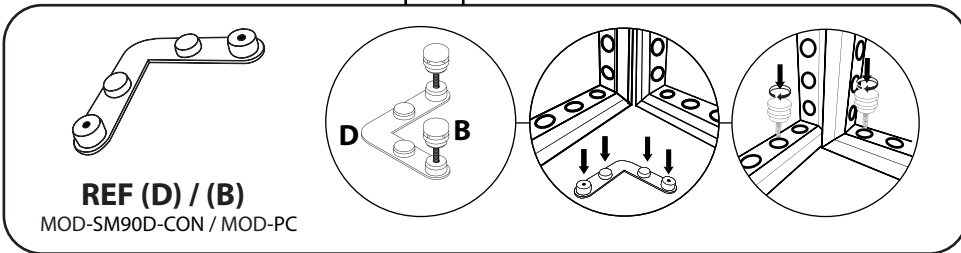
REF	QTY	PART NO.	DESCRIPTION
1	9	MOD-FRM-992x2418	Straight Frame, Corner Screw Connect 992mm x 2418mm
B	40	MOD-PC	Pin Connector
C	4	MOD-90D-CON	90° Connector
D	4	MOD-SM90D-CON	90° Connector
E	12	MOD-CLA-CON	Clamp Connector
AJ	12	MOD-180D-CON	180 Degree Connector

MODCO 19 - 10X10

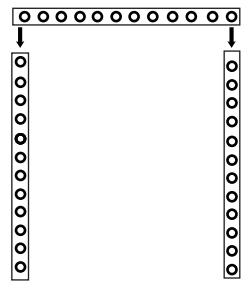
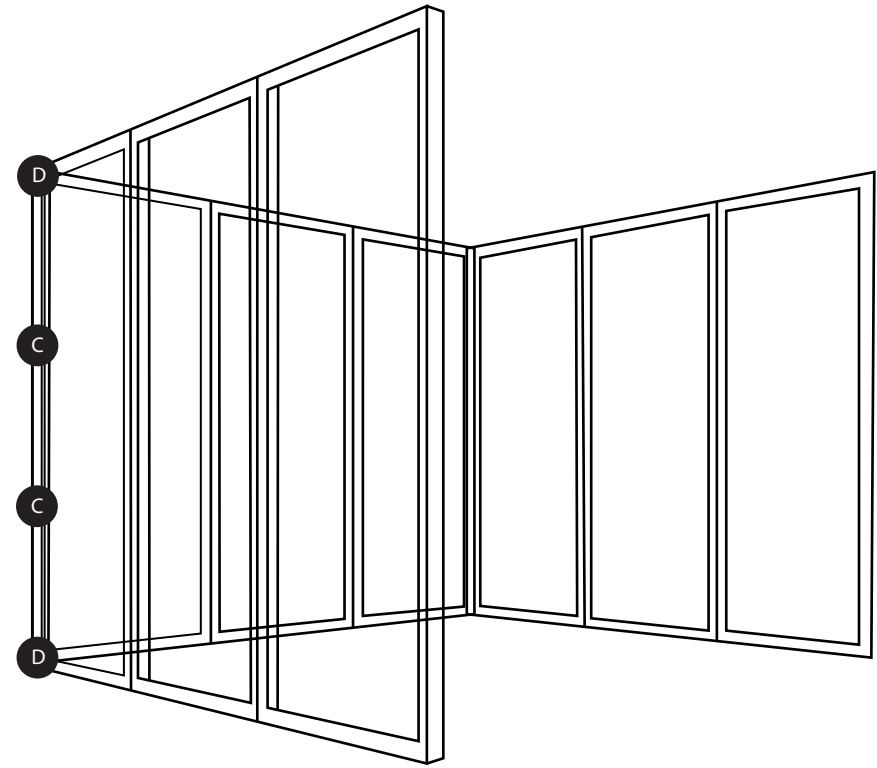
- Use REF column to reference parts. Connect each wall to make a 90° corner. Repeat for opposite side.



REF (C) / (B)
MOD-90D-CON + MOD-PC



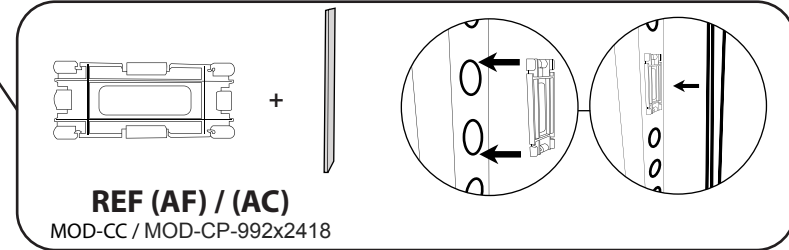
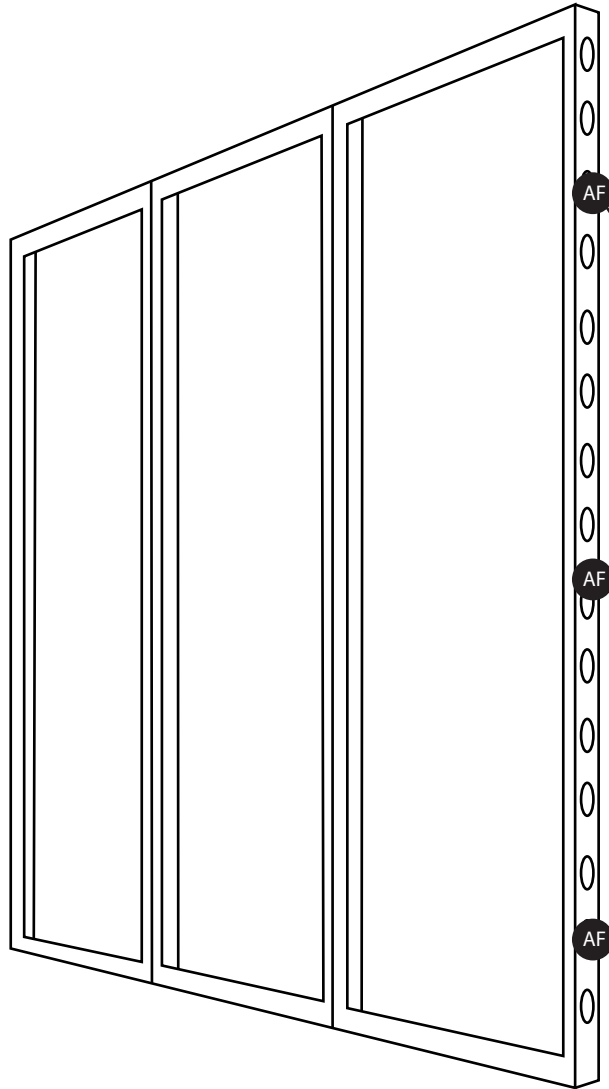
REF (D) / (B)
MOD-SM90D-CON / MOD-PC



TOP VIEW OF ROOM

MODCO 19 - 10X10

- Use REF column to reference parts. Attach cover profile to each exposed side (4 sides total).



COVER PROFILES & ACCESSORIES			
REF	QTY	PART NO.	DESCRIPTION
AC	4	MOD-CP-992x2418	Cover Profile for Frame 992x2418. Flat Model. Anodized
AF	12	MOD-CC	Clip Connector Cover Connects Cover Profile
AL	36	MOD-FP	Modco Frame Protector

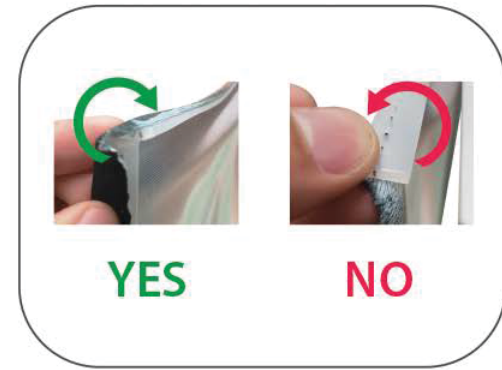
GRAPHIC INSTALL



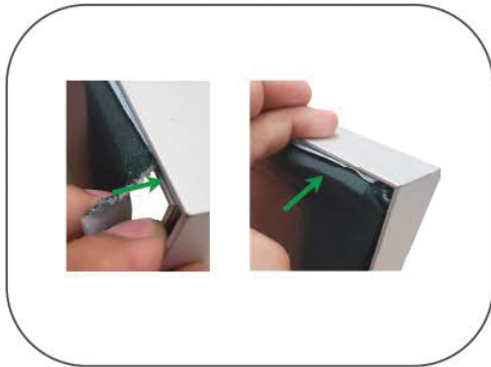
Place graphic over the front of the frame.



Begin inserting SEG beading at each corner.



Insert the silicone beading with the fabric folded over. The silicone beading should not be exposed.



Using your fingers, push both fabric and silicone beading completely into the extrusions channel.



Continue to push in the remaining silicone beading on each side.



Check the perimeter of the frame for any excess beading that hasn't been pushed in. Graphic should be taut.