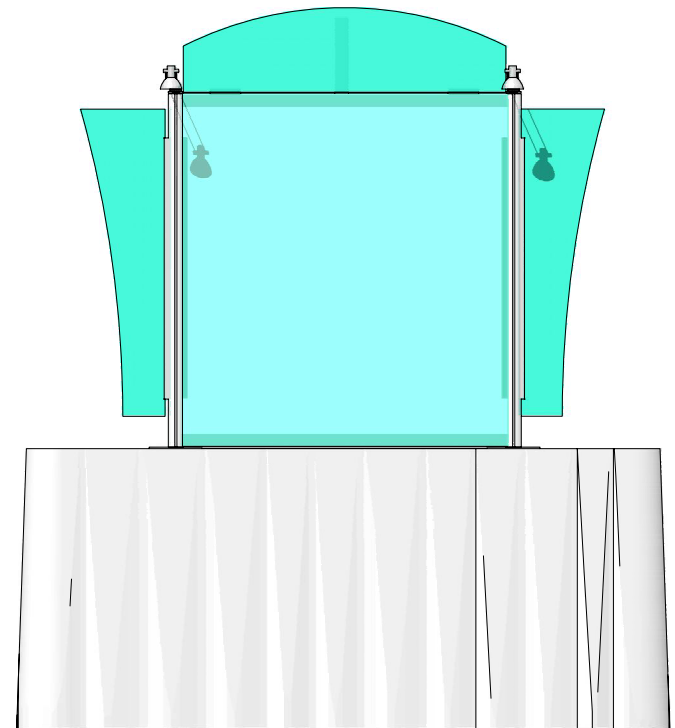
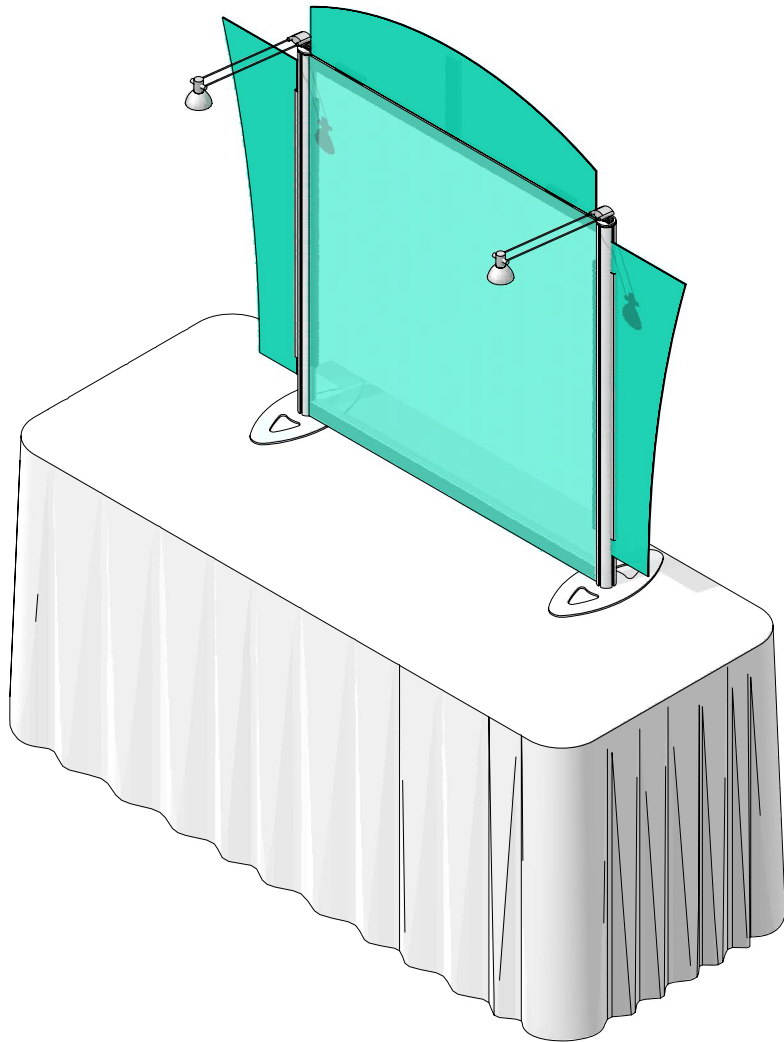
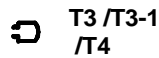
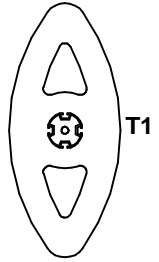
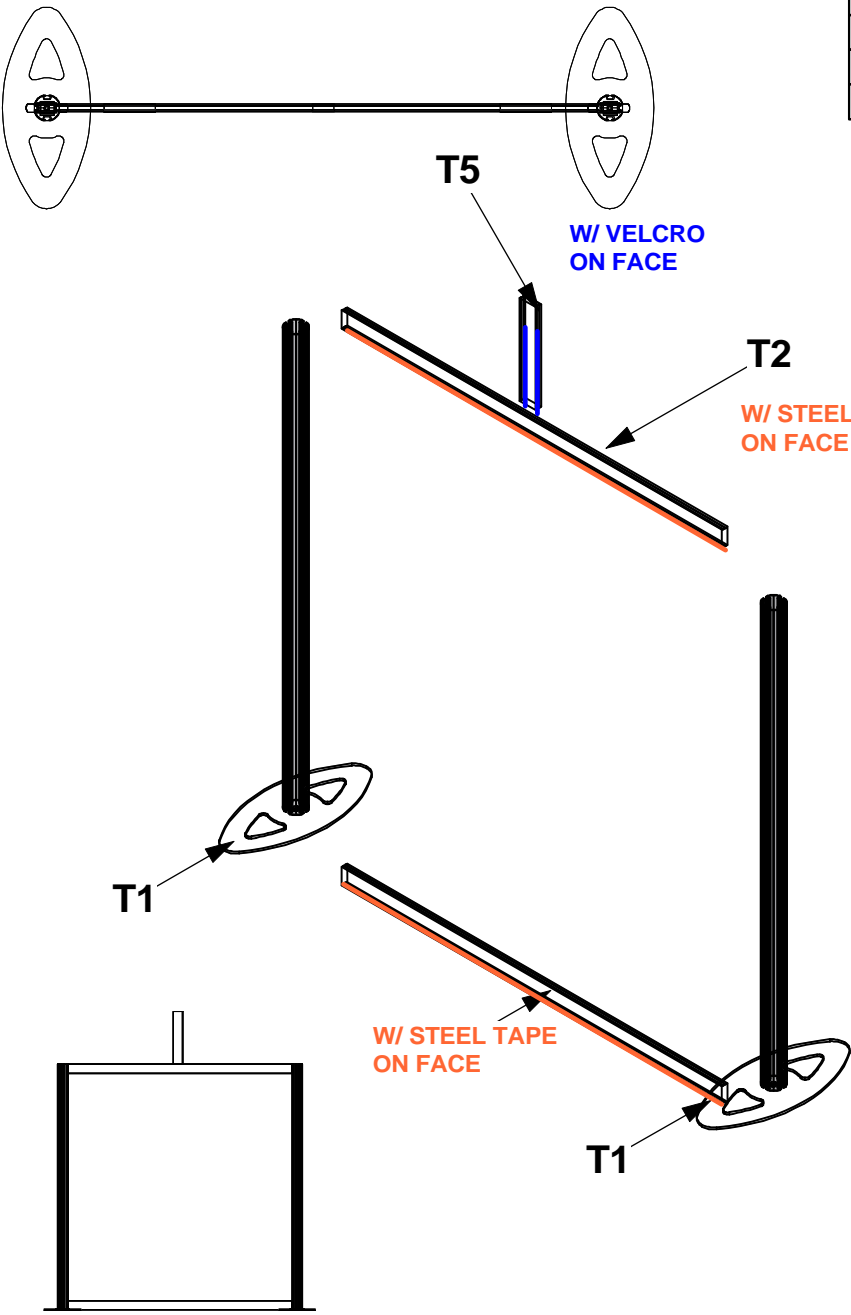


LINEAR CC

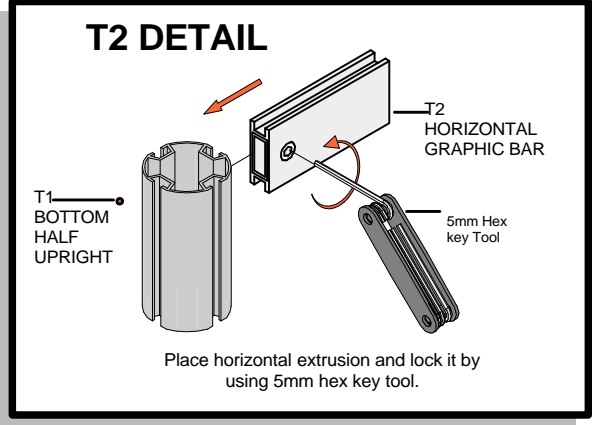
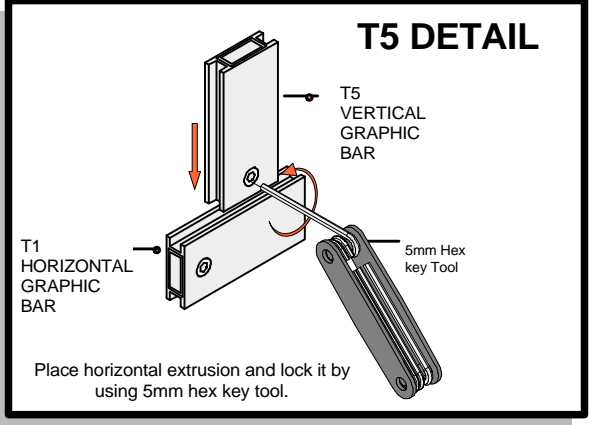


Code	#	Description
T2	2	HORIZONTAL GRAPHIC BAR
T1	2	BOTTOM HALF UPRIGHT
T5	1	VERTICAL GRAPHIC BAR

1. Redesign of this exhibit without approval by manufacture may result in dangerous and unsafe structures. Manufacture disclaims any responsibility for redesigned exhibits it does not approve in writing.

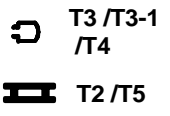
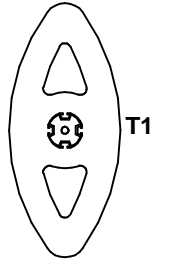
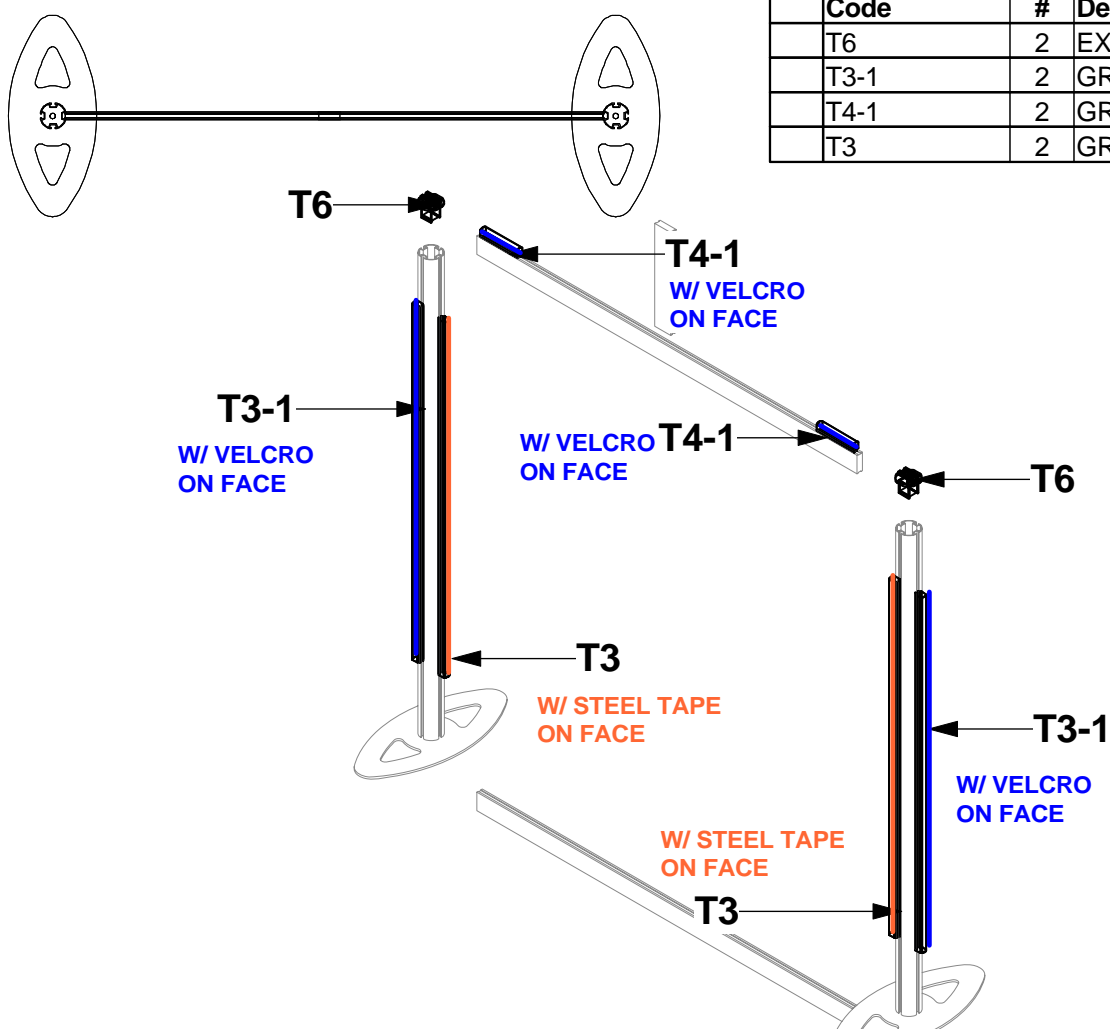


LINEAR CC

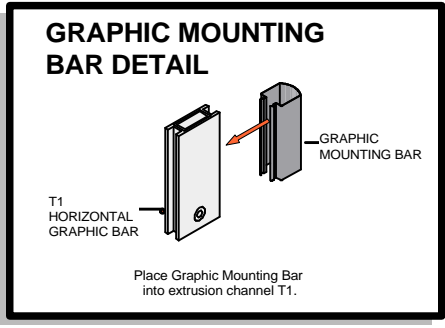
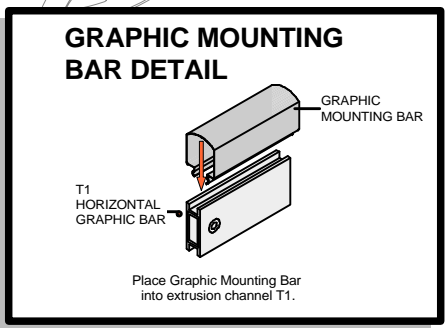
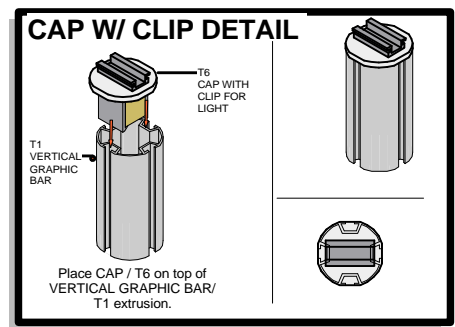


1. Redesign of this exhibit without approval by manufacture may result in dangerous and unsafe structures. Manufacture disclaims any responsibility for redesigned exhibits it does not approve in writing.

Code	#	Description
T6	2	EXTRUSION CAP WITH CLIP
T3-1	2	GRAPHICS MOUNTING BAR W/ VELCRO
T4-1	2	GRAPHICS MOUNTING BAR W/ VELCRO
T3	2	GRAPHICS MOUNTING BAR STEEL TAPE

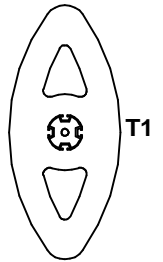
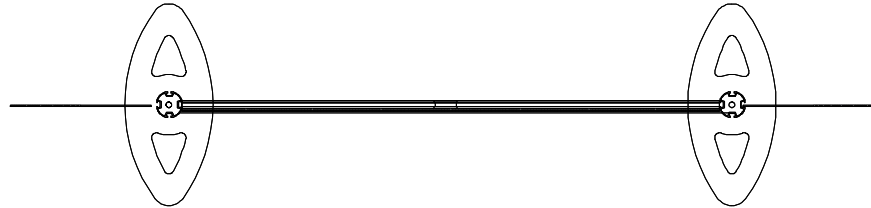
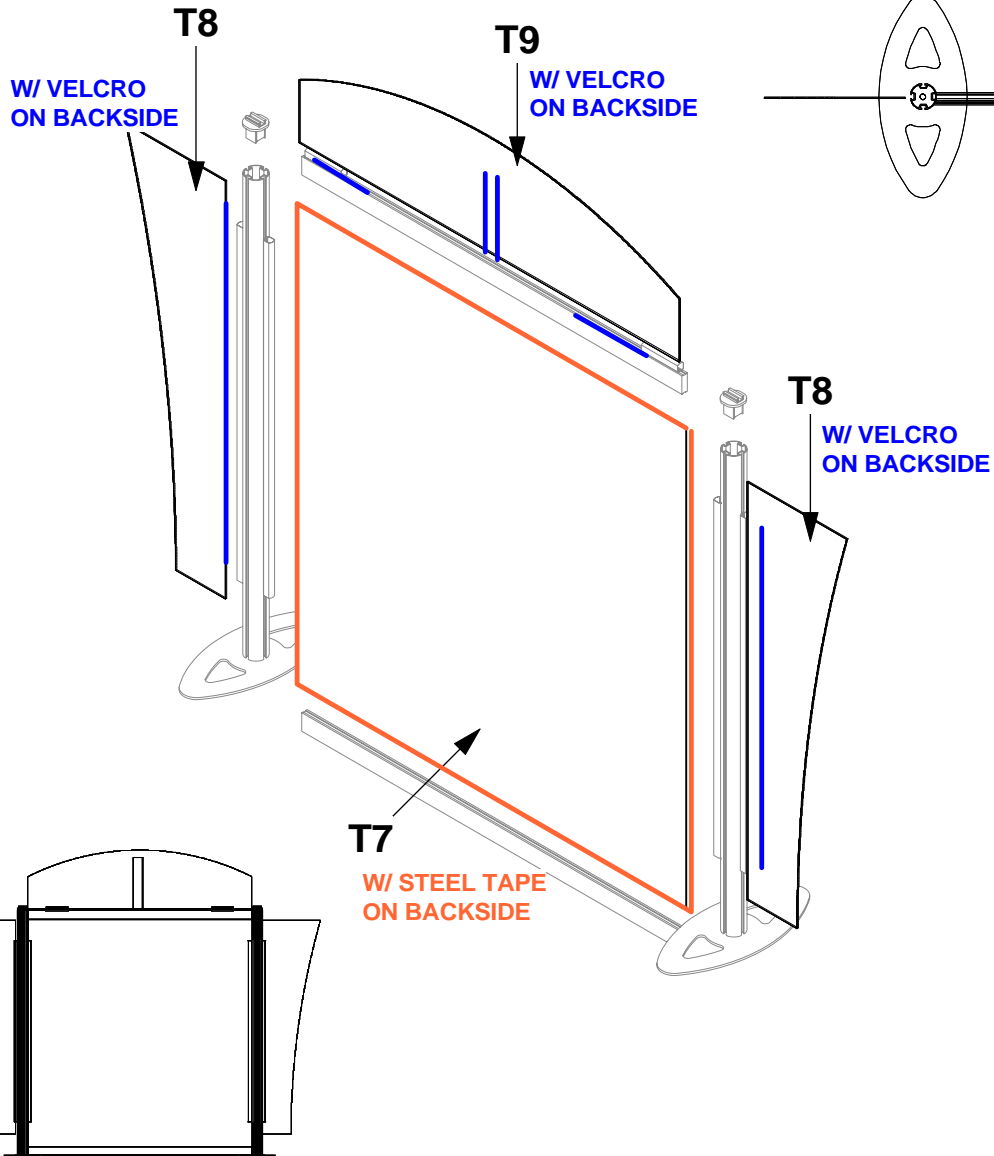


LINEAR CC



Code	#	Description
T9	1	46" X 12" DSG W/ MAGNETS
T7	1	47" X 43" DSG W/ MAGNETS
T8	2	13" X 43" DSG W/ MAGNETS

1. Redesign of this exhibit without approval by manufacture may result in dangerous and unsafe structures. Manufacture disclaims any responsibility for redesigned exhibits it does not approve in writing.



T3 / T3-1 / T4

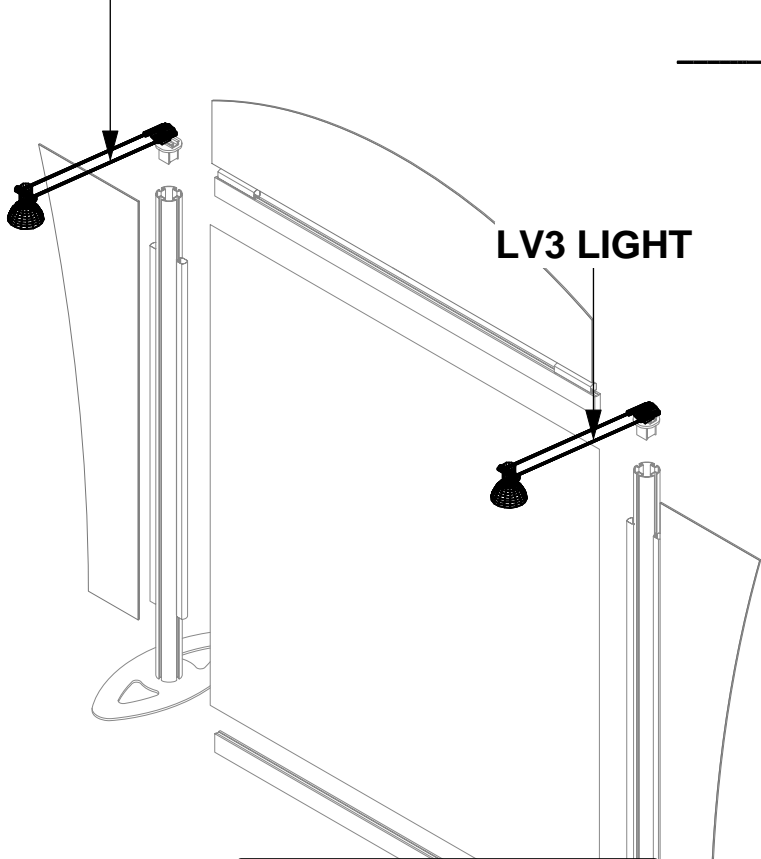
T2 / T5

LINEAR CC

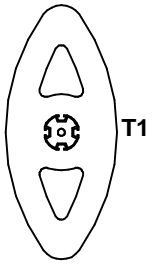
Code	#	Description
LV3 LIGHT	2	GREY SKINNY LIGHT WITH OSRAM TITAN 50W LAMP (WITH POWER PACK)

1. Redesign of this exhibit without approval by manufacture may result in dangerous and unsafe structures. Manufacture disclaims any responsibility for redesigned exhibits it does not approve in writing.

LV3 LIGHT



LV3 LIGHT

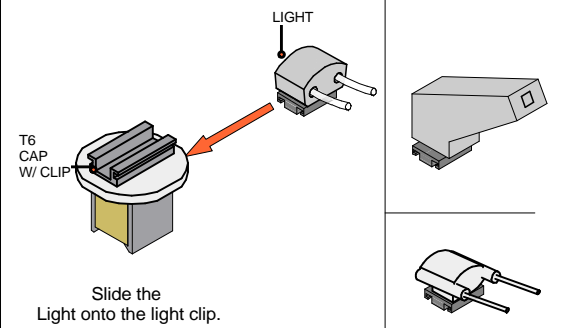


T1

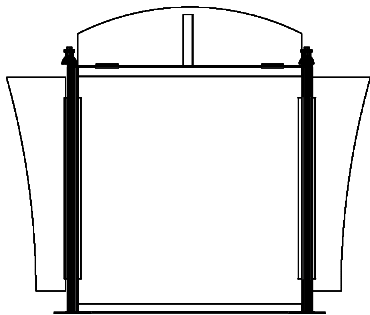
T3 /T3-1 /T4

T2 /T5

LIGHT DETAIL



LINEAR CC



L10 Light



LV1 Light



LV3

