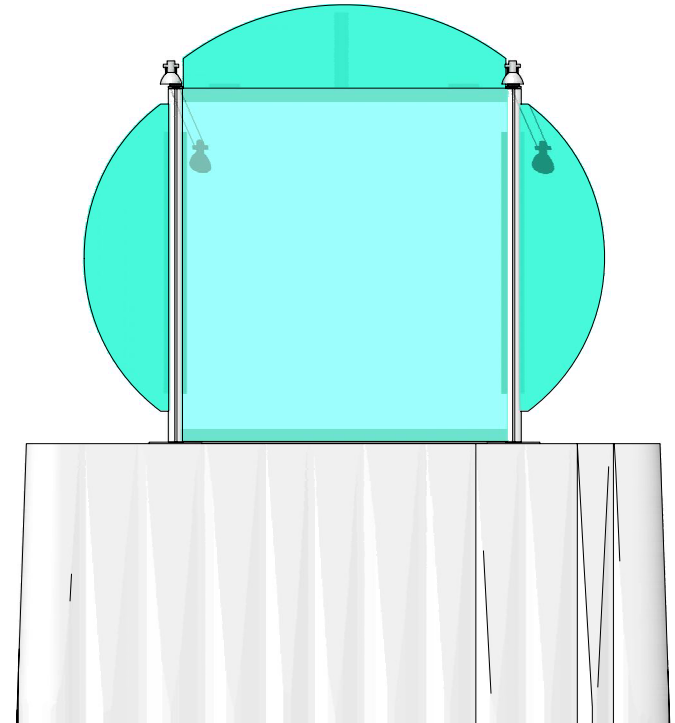
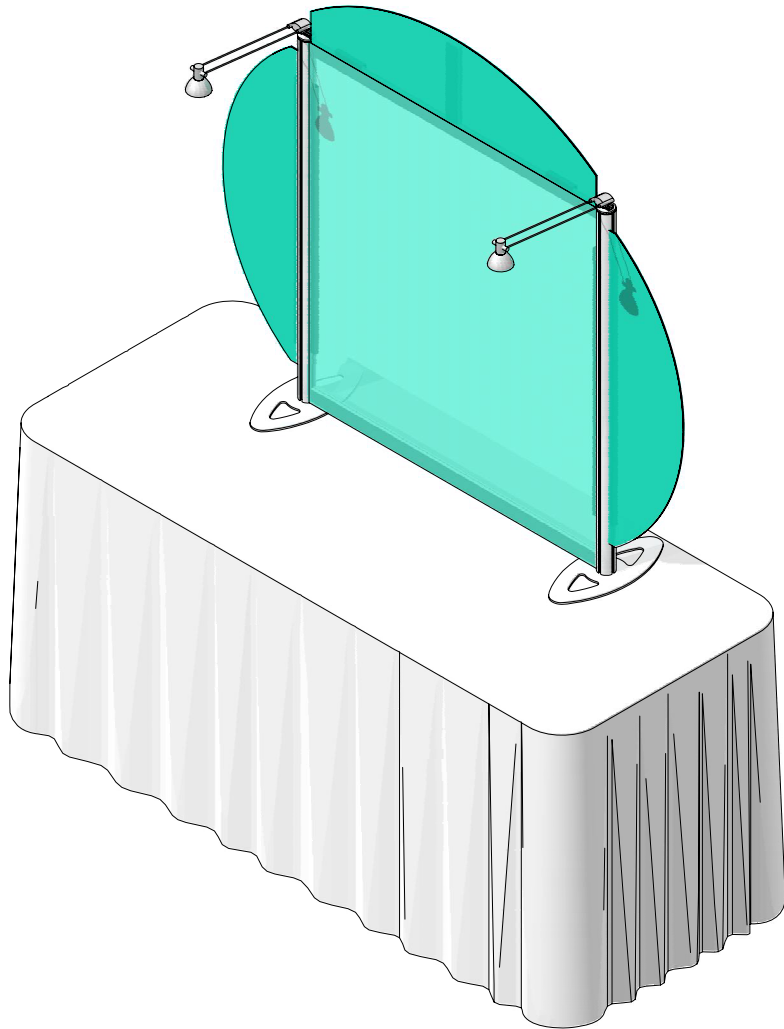
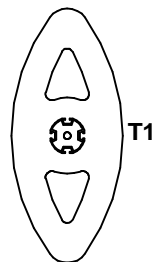
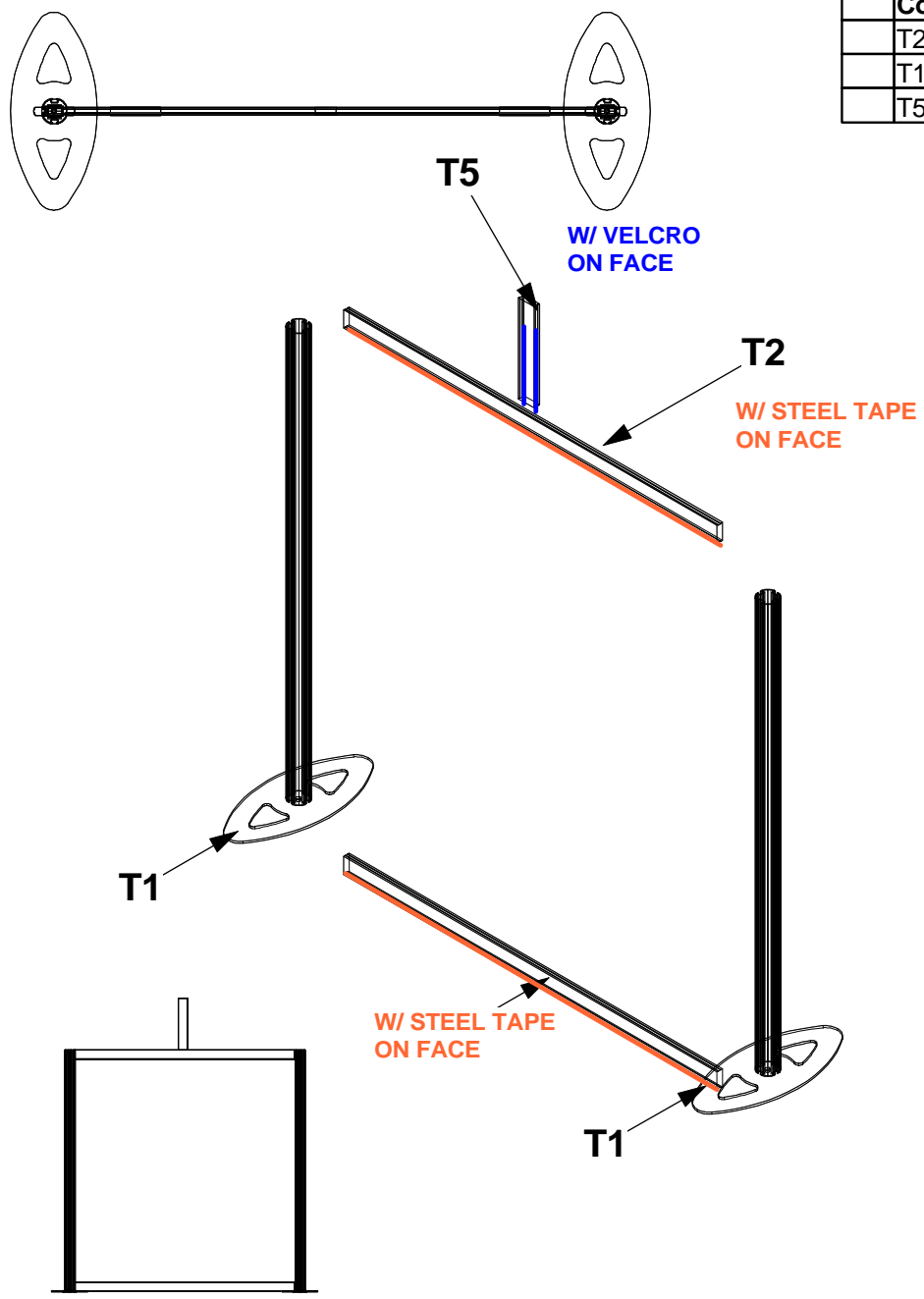


LINEAR AA

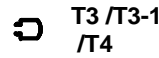


Code	#	Description
T2	2	HORIZONTAL GRAPHIC BAR
T1	2	BOTTOM HALF UPRIGHT
T5	1	VERTICAL GRAPHIC BAR

1. Redesign of this exhibit without approval by manufacture may result in dangerous and unsafe structures. The manufacture disclaims any responsibility for redesigned exhibits it does not approve in writing.



T1

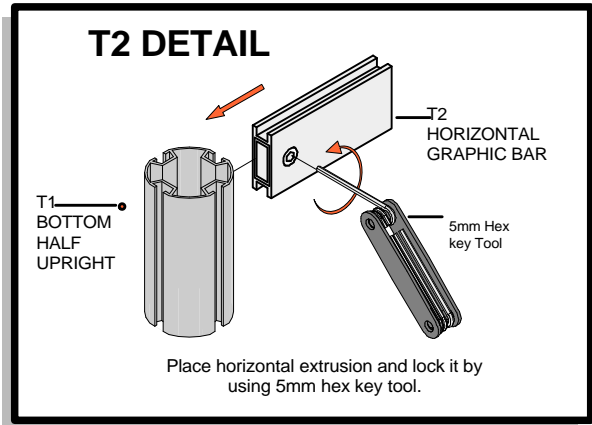
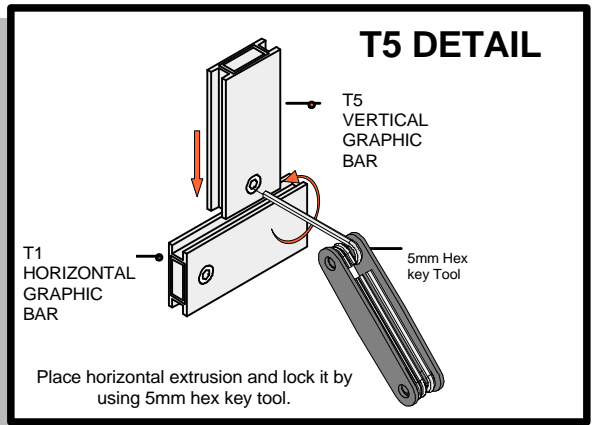


T3 /T3-1 /T4



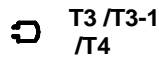
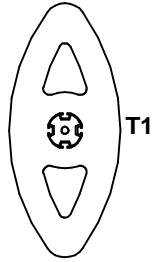
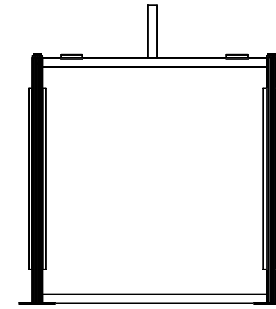
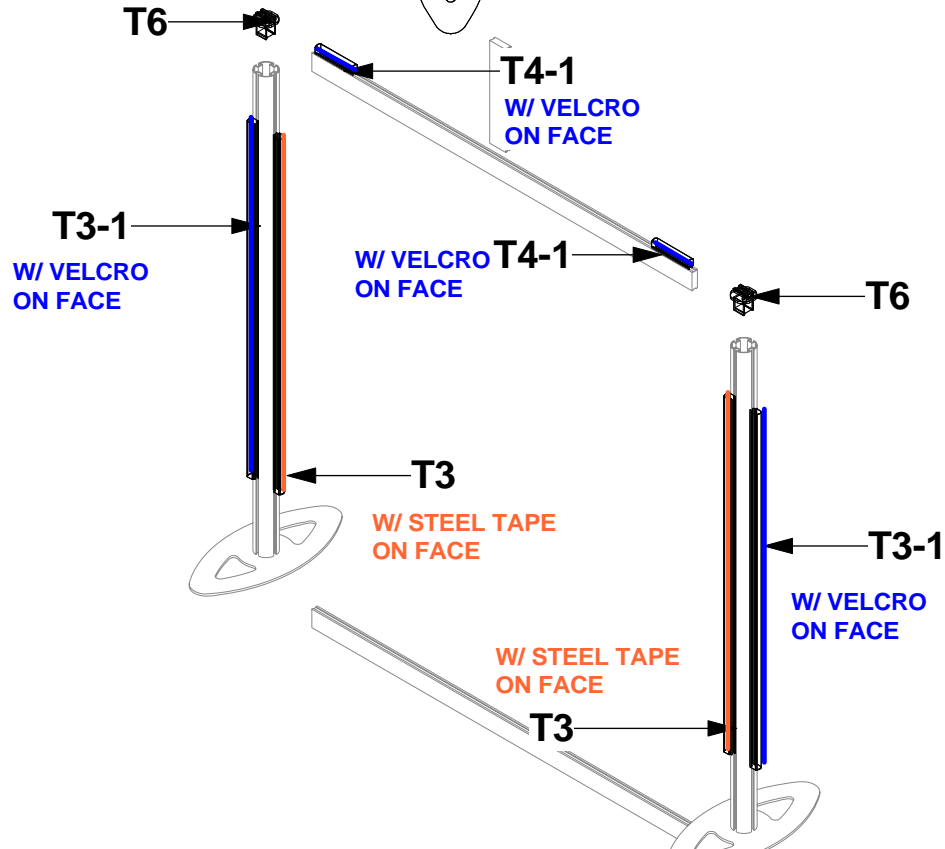
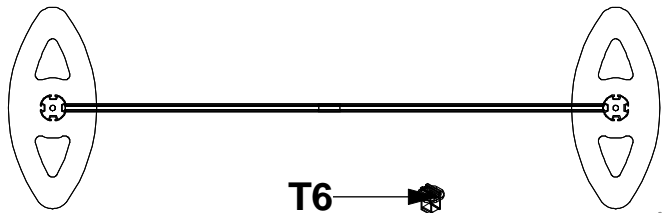
T2 /T5

LINEAR AA

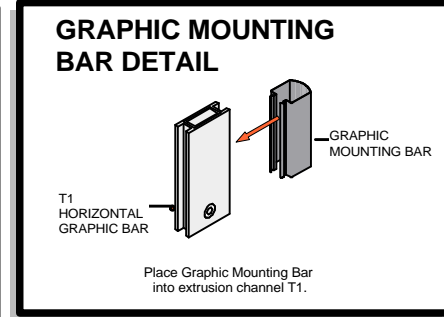
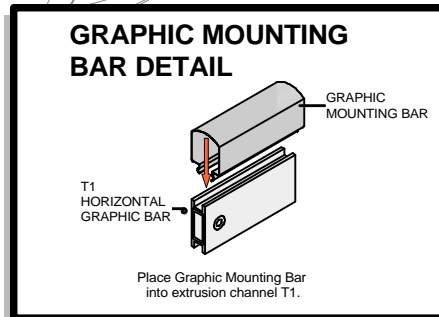
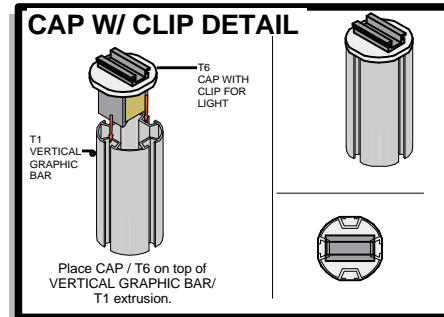


Code	#	Description
T6	2	EXTRUSION CAP WITH CLIP
T3-1	2	GRAPHICS MOUNTING BAR W/ VELCRO
T4-1	2	GRAPHICS MOUNTING BAR W/ VELCRO
T3	2	GRAPHICS MOUNTING BAR STEEL TAPE

1. Redesign of this exhibit without approval by manufacture may result in dangerous and unsafe structures. The manufacture disclaims any responsibility for redesigned exhibits it does not approve in writing.

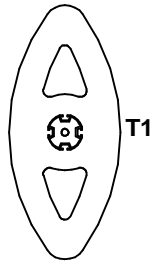
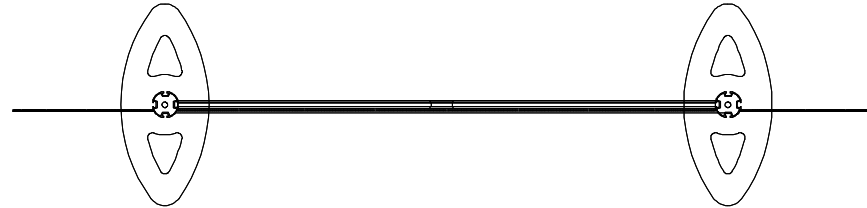
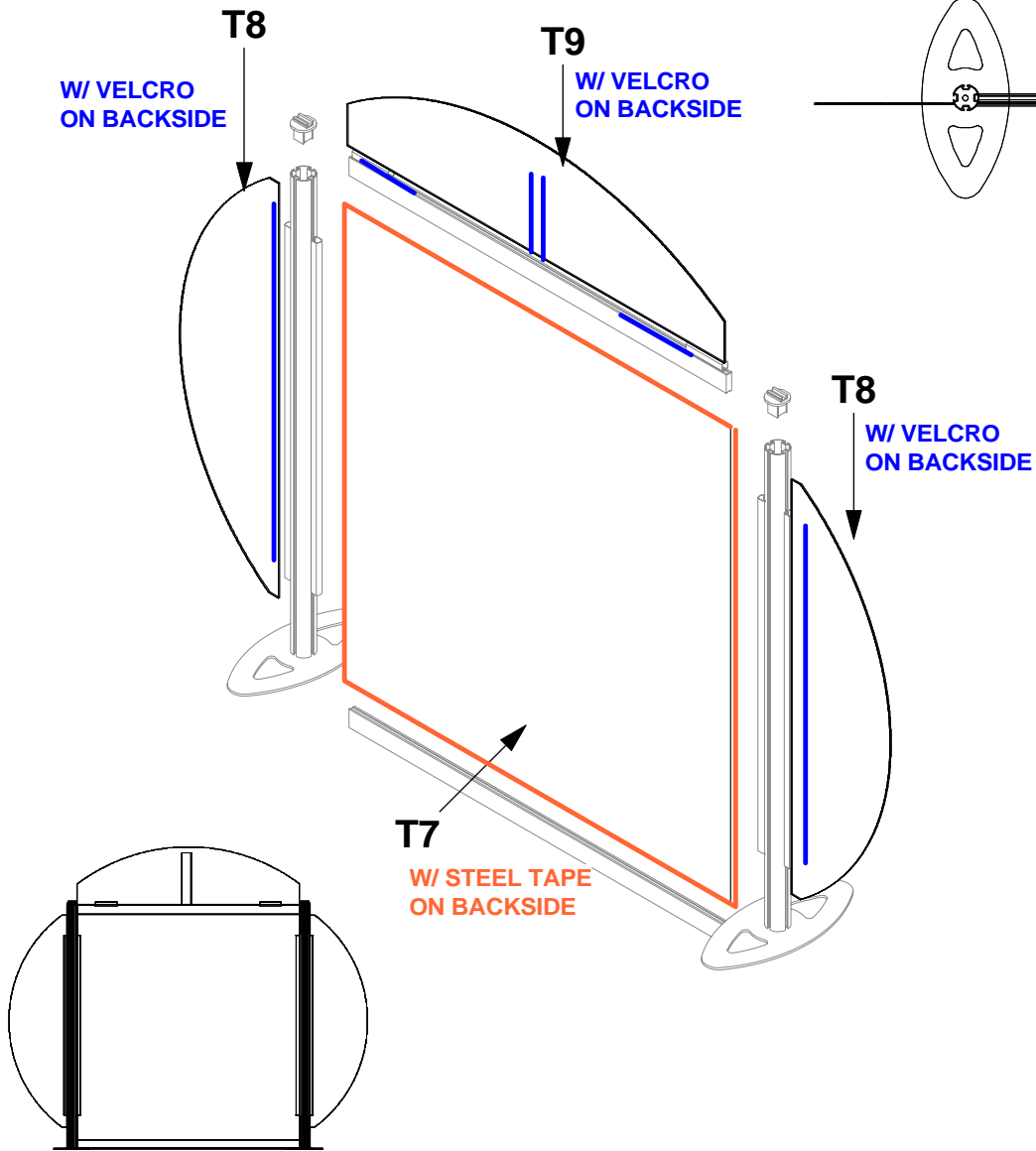


LINEAR AA



1. Redesign of this exhibit without approval by manufacture may result in dangerous and unsafe structures. The manufacture disclaims any responsibility for redesigned exhibits it does not approve in writing.

Code	#	Description
T9	1	46" X 12" DSG W/ MAGNETS
T7	1	47" X 43" DSG W/ MAGNETS
T8	2	13" X 43" DSG W/ MAGNETS



T3 /T3-1 /T4

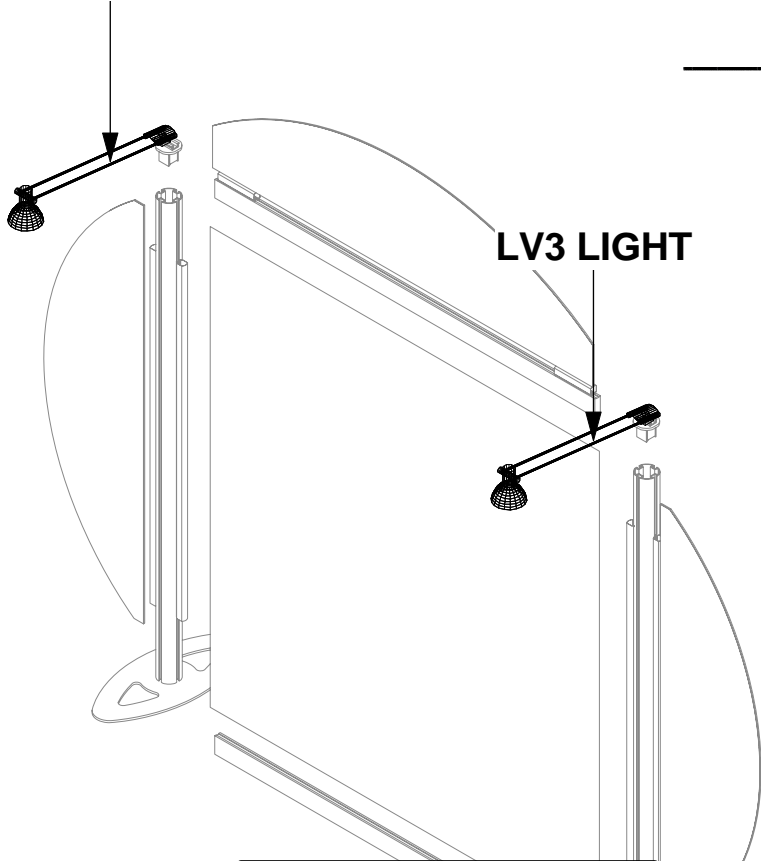
T2 /T5

LINEAR AA

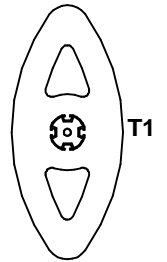
Code	#	Description
LV3 LIGHT	2	GREY SKINNY LIGHT WITH OSRAM TITAN 50W LAMP (WITH POWER PACK)

1. Redesign of this exhibit without approval by manufacture may result in dangerous and unsafe structures. The manufacture disclaims any responsibility for redesigned exhibits it does not approve in writing.

LV3 LIGHT



LV3 LIGHT



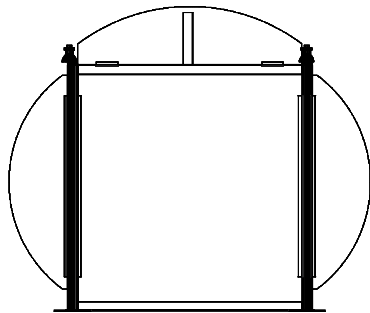
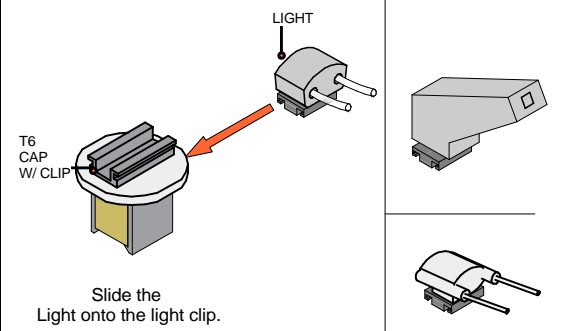
T1

T3 /T3-1 /T4

T2 /T5

LINEAR AA

LIGHT DETAIL



L10 Light



LV1 Light



LV3

