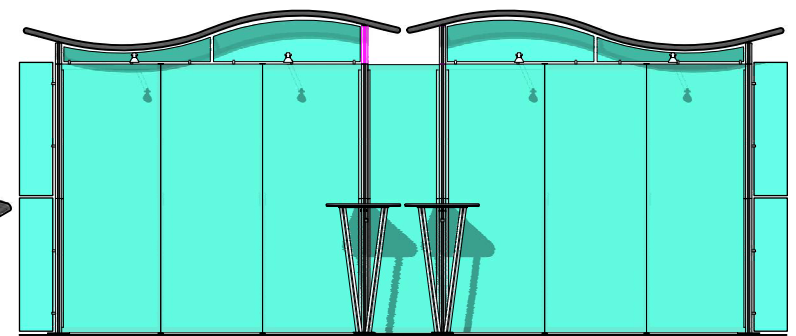
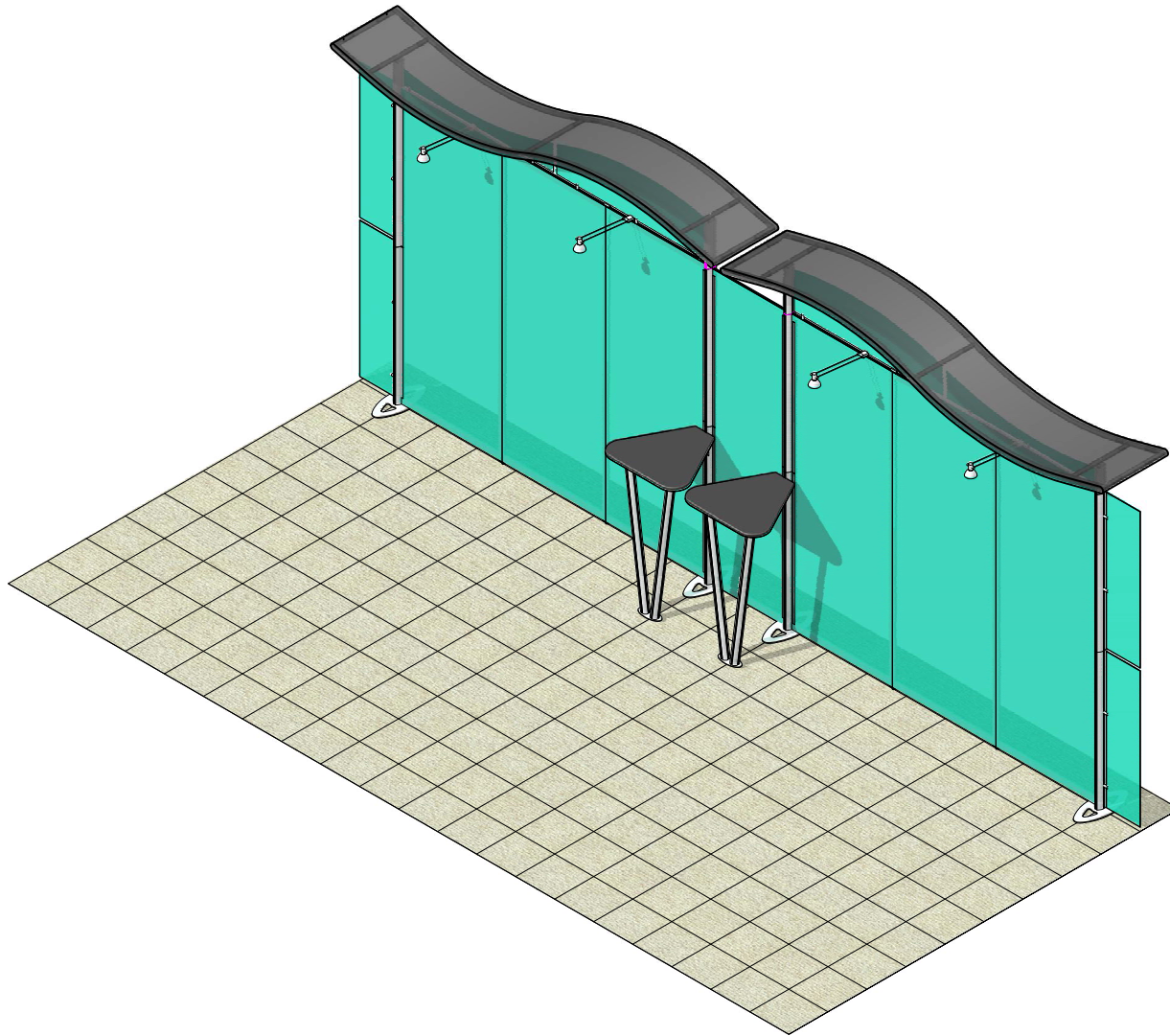
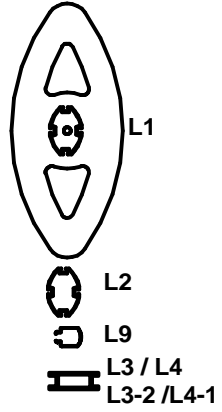


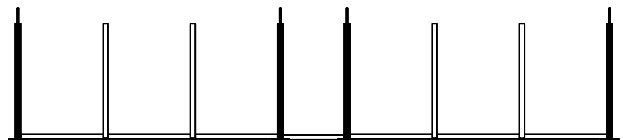
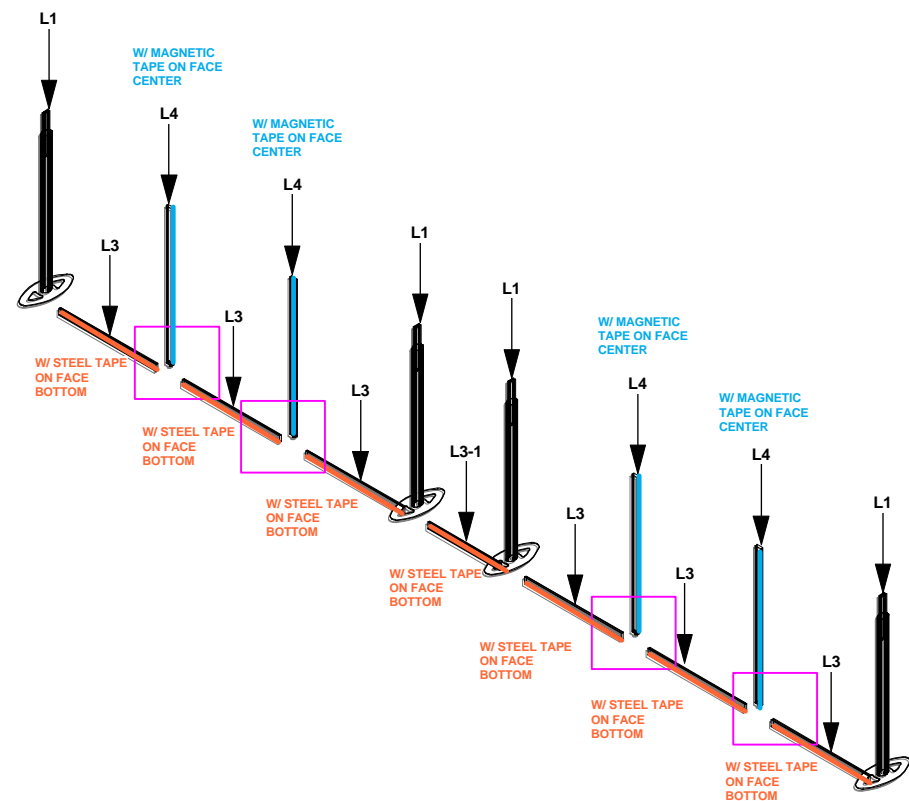
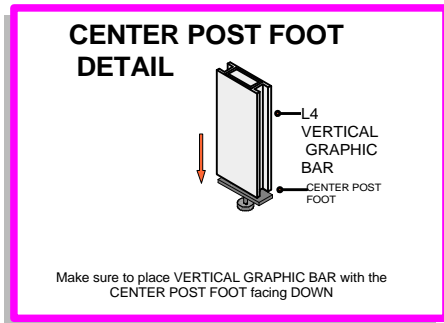
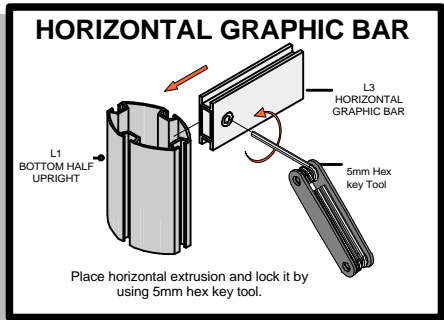
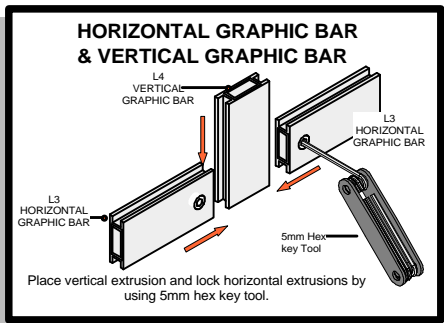
# LINEAR 28



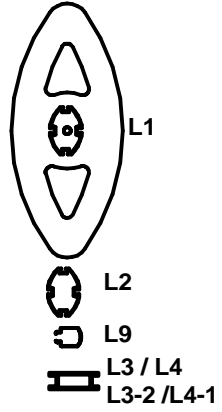
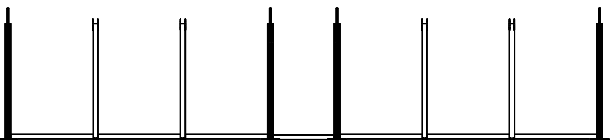
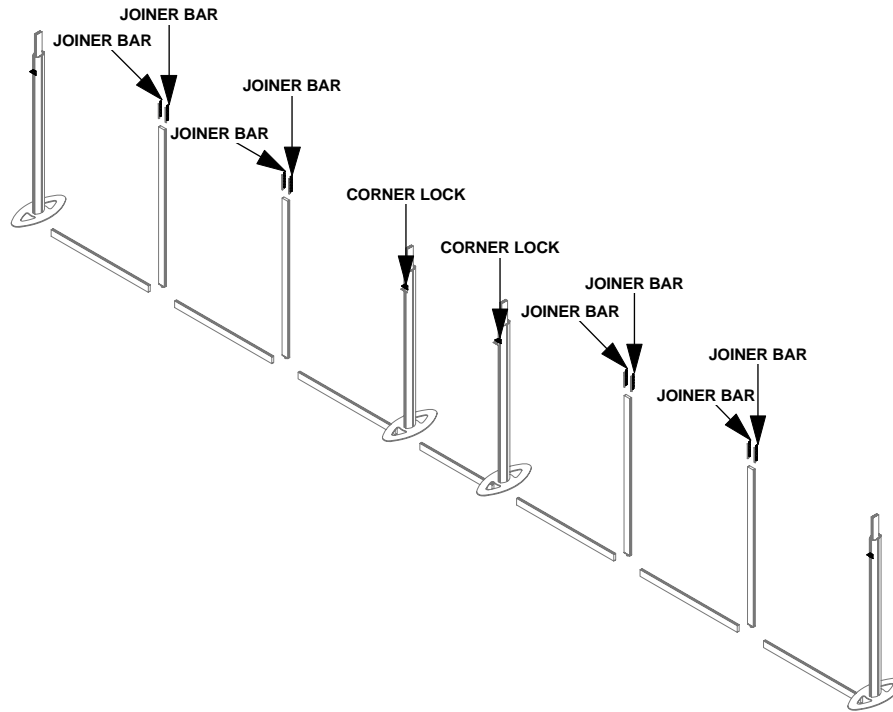
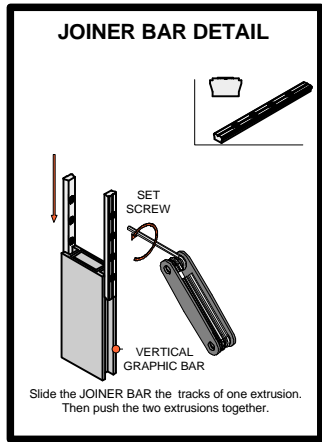
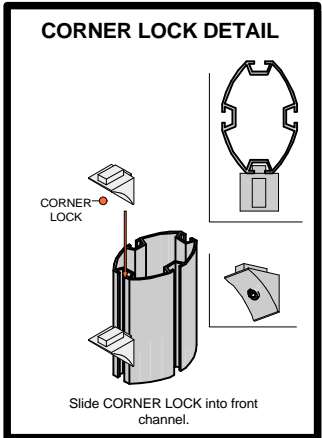
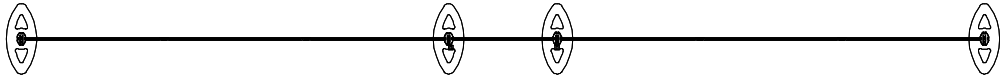
Code	#	Description
L3	6	HORIZONTAL GRAPHIC BAR
L4	4	VERTICAL GRAPHIC BAR WITH CE
L1	4	BOTTOM HALF UPRIGHT
L3-1	1	HORIZONTAL GRAPHIC BAR



**LINEAR 28**

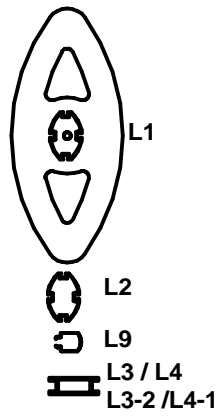
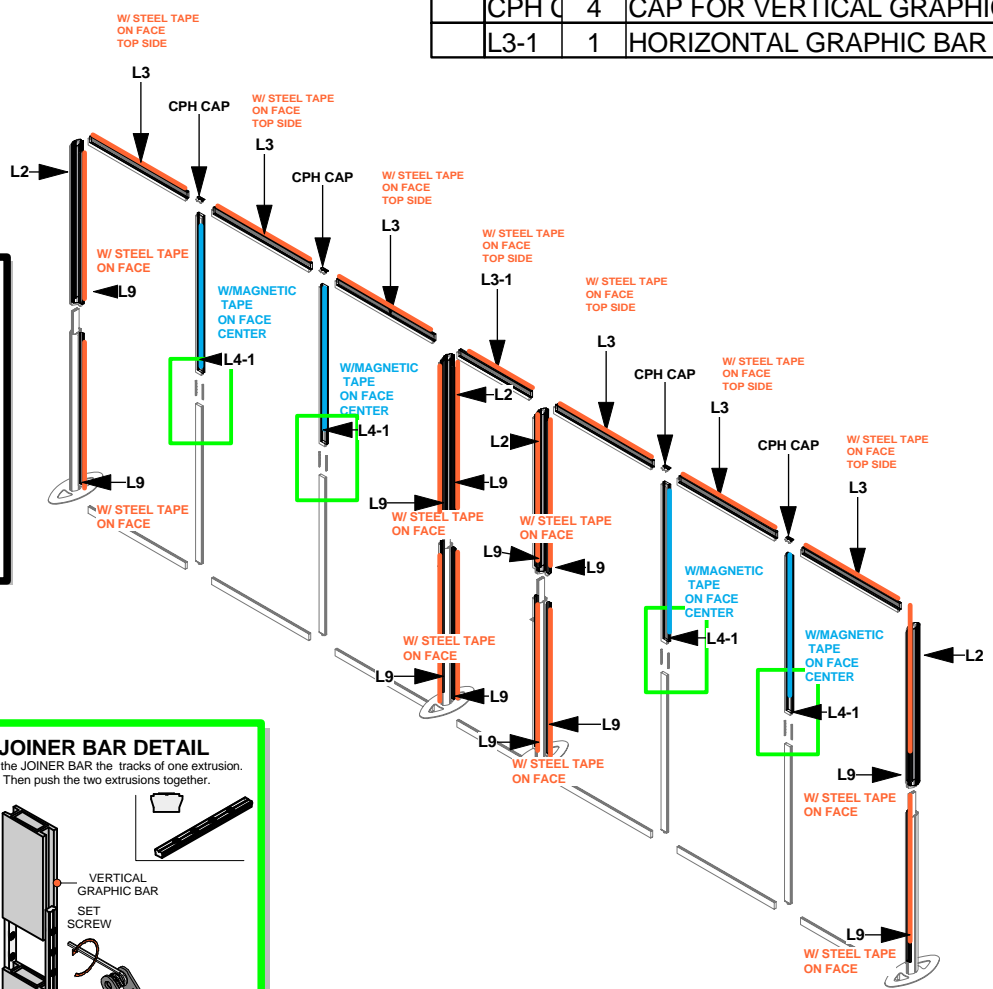
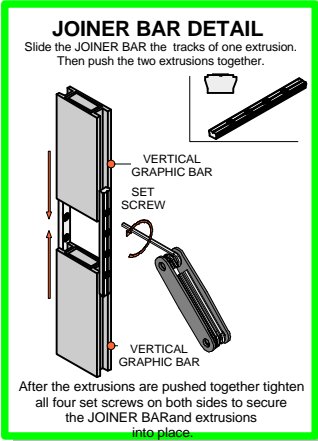
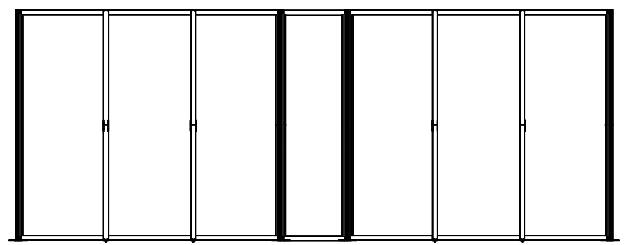
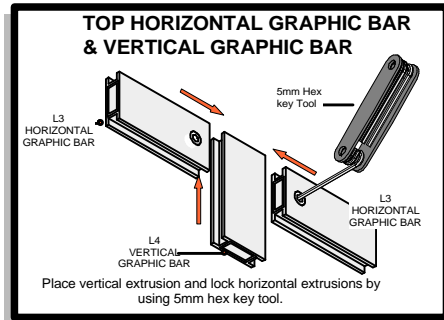
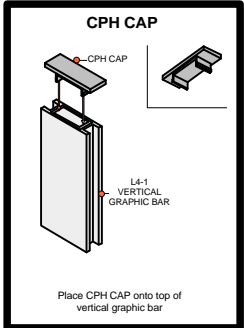
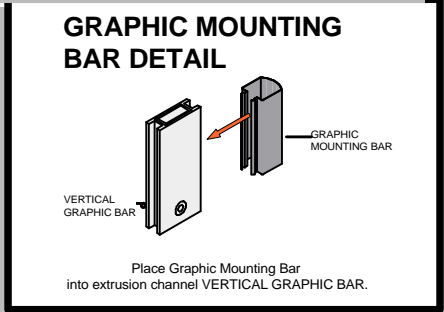
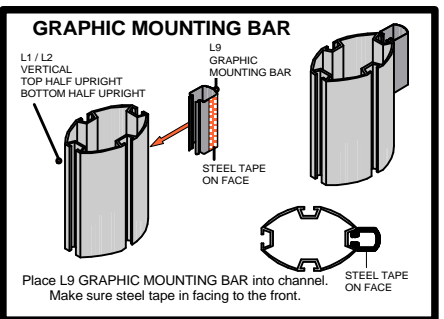


Code	#	Description
JOINER BAR	8	JOINER BAR
CORNER LOCK	2	CORNER LOCK



**LINEAR 28**

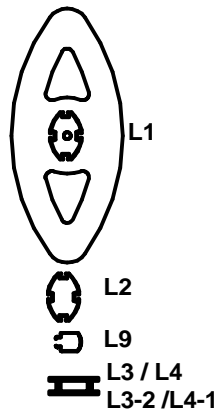
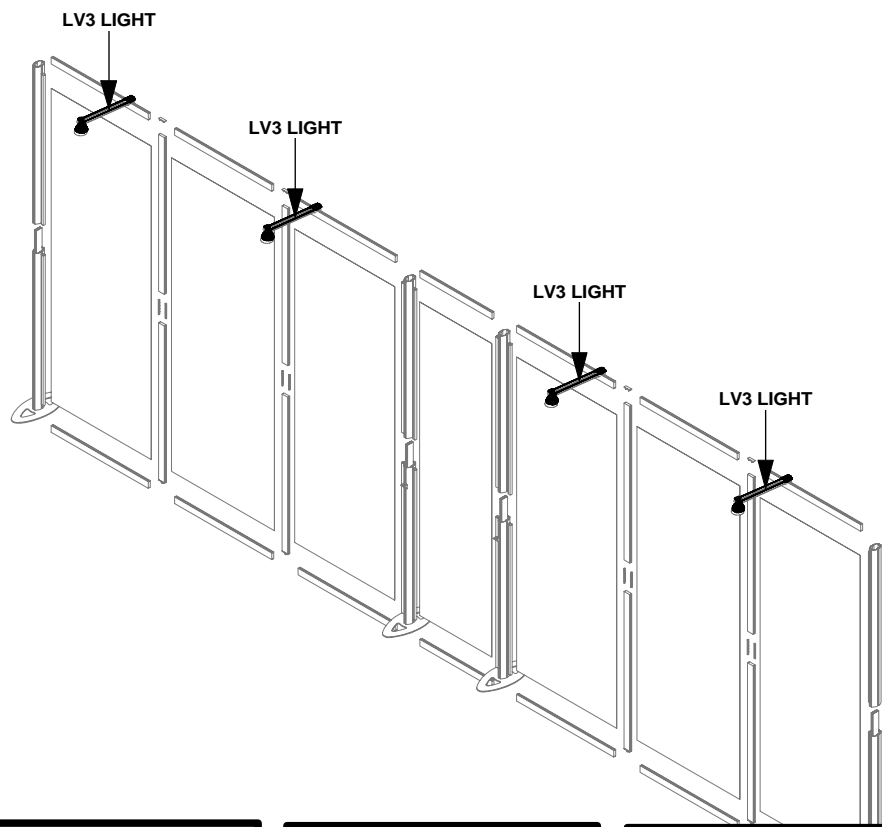
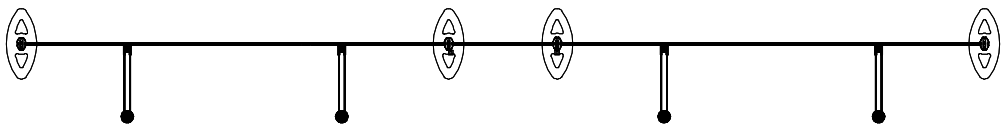
Code	#	Description
L2	4	TOP HALF UPRIGHT
L3	6	HORIZONTAL GRAPHIC BAR
L4-1	4	VERTICAL GRAPHIC BAR
L9	12	GRAPHICS MOUNTING BAR
CPH C	4	CAP FOR VERTICAL GRAPHIC BAR
L3-1	1	HORIZONTAL GRAPHIC BAR



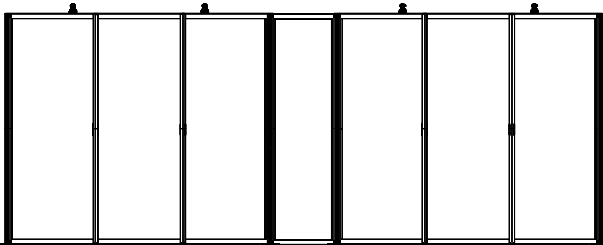
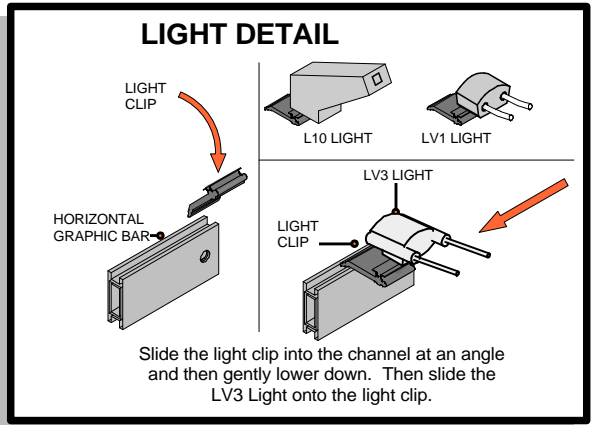
**LINEAR 28**

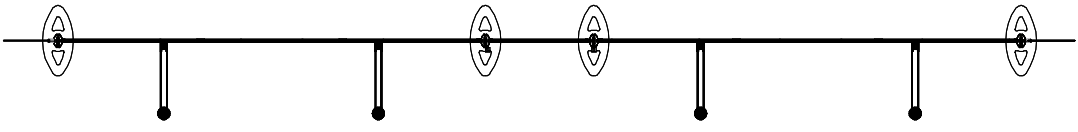


Code	#	Description
LV3 LIGHT	4	GREY SKINNY LIGHT WITH OSRAM TITAN 50W LA

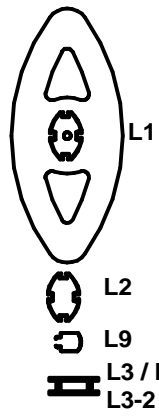
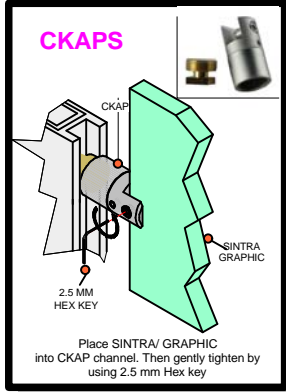
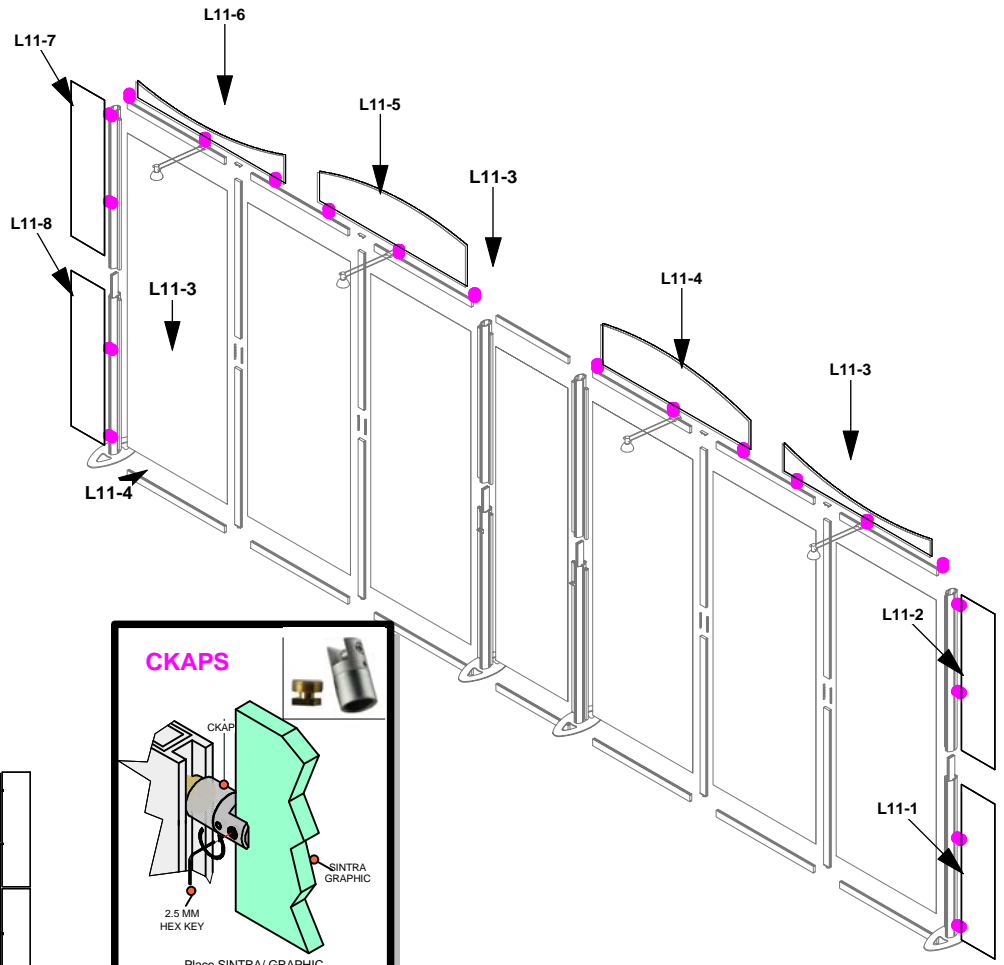
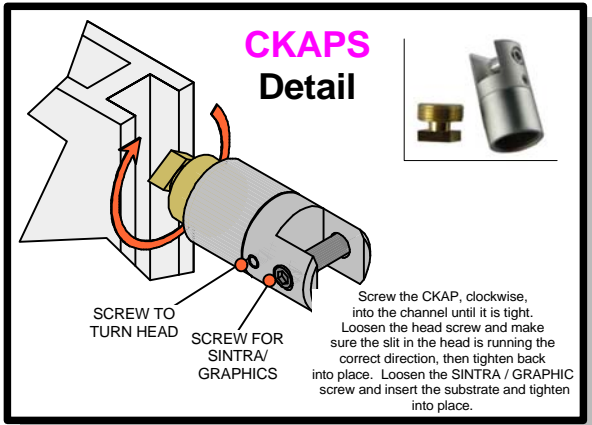


**LINEAR 28**

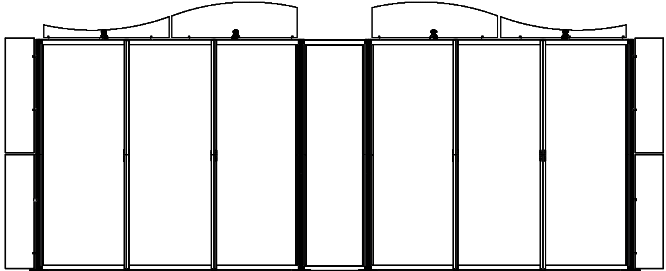


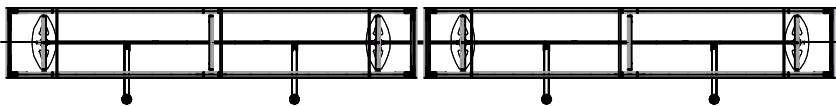


Code	#	Description
CKAPS	20	STANDOFFS
L11-4	2	GRAPHICS
L11-3	2	GRAPHICS
L11-7	1	GRAPHIC
L11-2	1	GRAPHIC
L11-1	1	GRAPHIC
L11-8	1	GRAPHIC



**LINEAR 28**



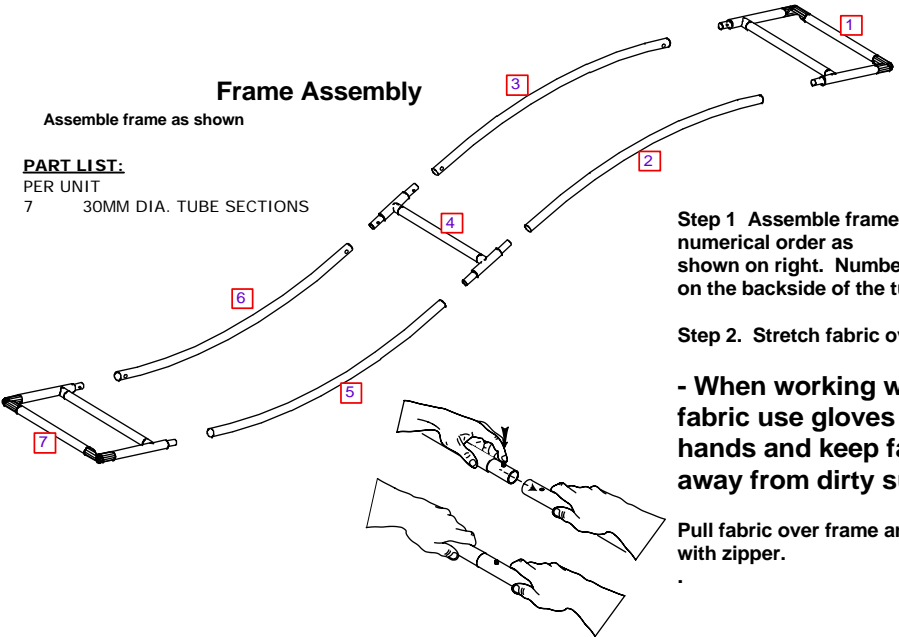


Code	#	Description
L13	2	LONG CANOPY CONNECTOR
L12	2	SHORT CANOPY CONNECTOR
WAVE CANOPY	2	WAVE CANOPY
CANOPY SCREW	4	CANOPY SCREW
CANOPY WASHER	4	CANOPY WASHER

**Frame Assembly**

Assemble frame as shown

**PART LIST:**  
PER UNIT  
7 30MM DIA. TUBE SECTIONS

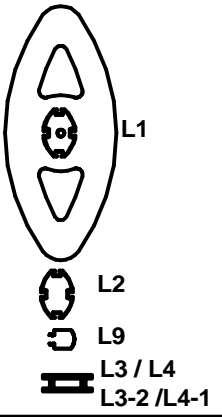
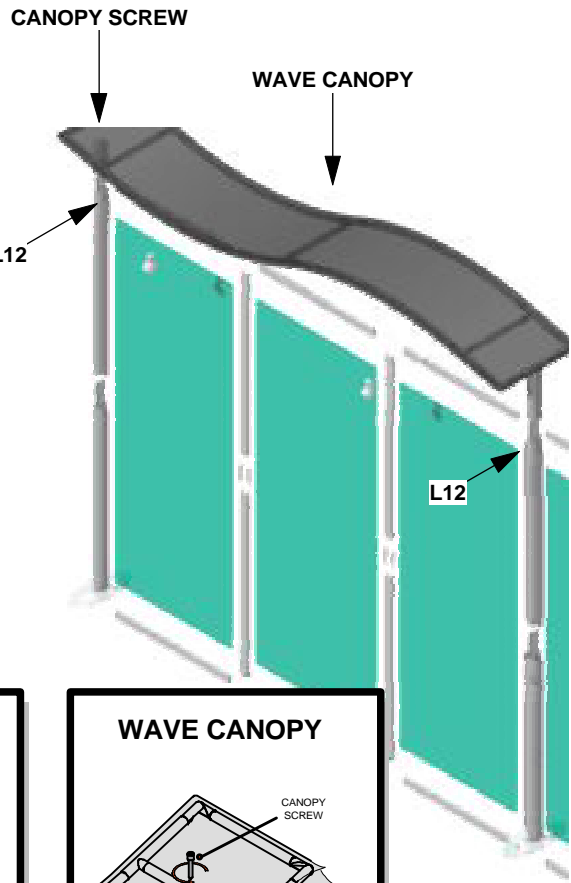


**Step 1** Assemble frame in numerical order as shown on right. Numbers will be on the backside of the tube.

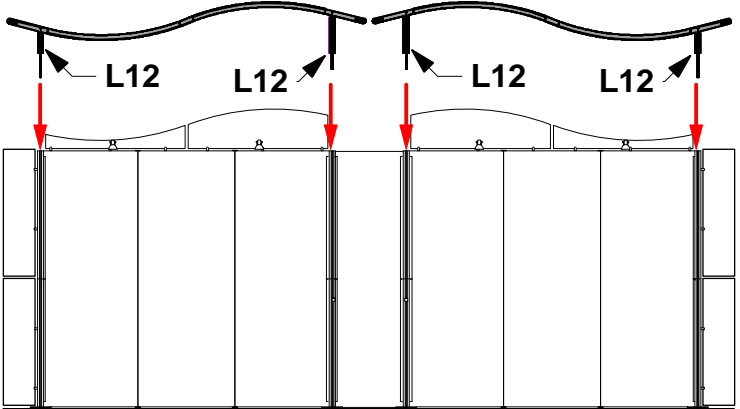
**Step 2.** Stretch fabric over frame.

- When working with fabric use gloves or clean hands and keep fabric away from dirty surfaces.

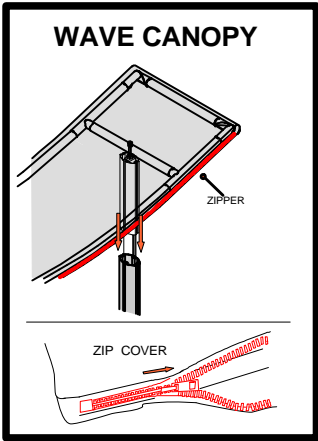
Pull fabric over frame and secure with zipper.



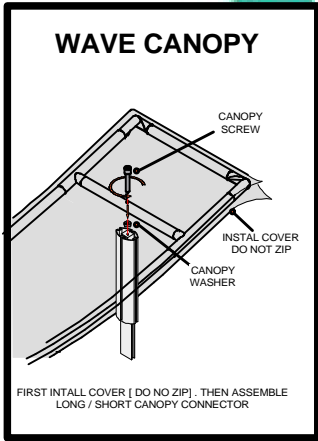
**LINEAR 28**



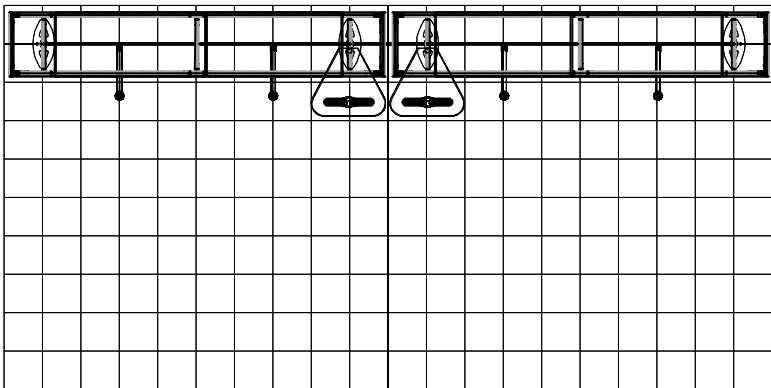
**STEP # 3**



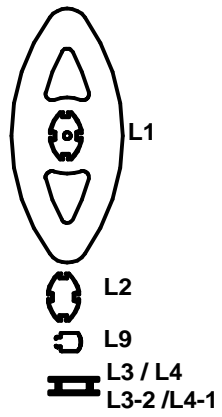
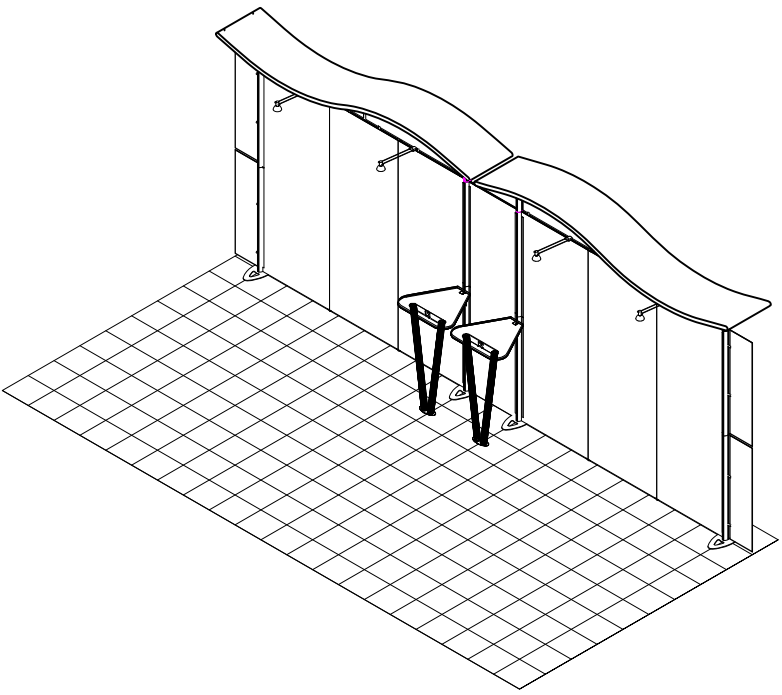
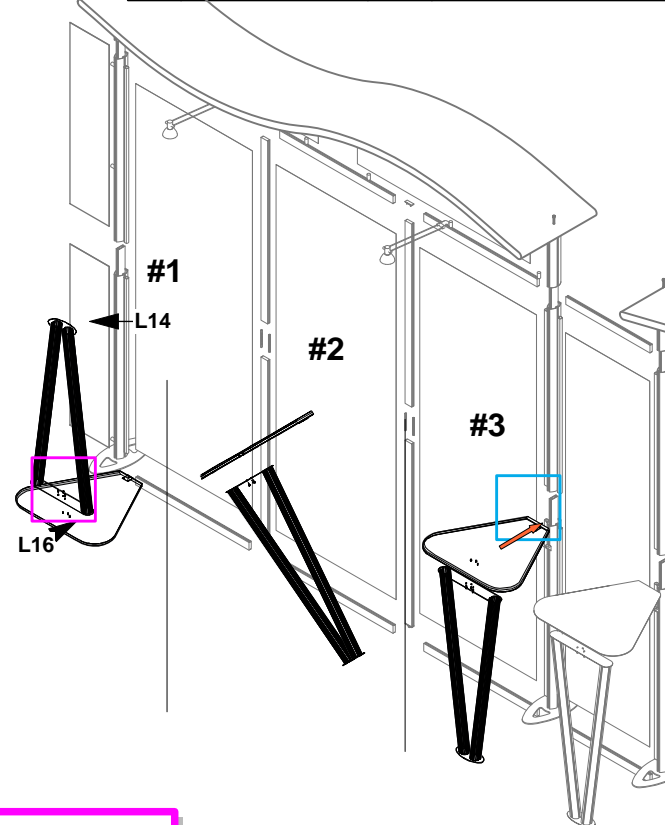
**STEP # 2**



**STEP # 1**



Code	#	Description
L13	2	TABLE TOP V-LEG
L14	2	V-LEG TABLE



**LINEAR 28**

