

CASITA BREEZE INFLATABLE TENTS

The Casita Breeze Inflatable Tent offers a spacious and visually impactful solution for your event needs, whether indoors or outdoors. Measuring 4m x 4m (13.1ft x 13.1ft), this durable tent features an inflatable bladder frame and a removable graphic cover, allowing for easy customization with stunning dye sublimated graphics. Set-up is quick and efficient, inflating in just minutes using an electric air pump. Enhance your tent with optional backwalls and awnings for added functionality and style. Choose from full backwalls, backwalls with windows, or ones with zippers for convenient access. All backwalls are available with single or double-sided graphics to suit your branding needs. The optional awning, which also includes an inflatable bladder frame and support rods, ensures stability and can even connect two tents side by side with a connecting awning. All accessories are easy to install, attaching securely to the tent top via pre-finished zippers. Each graphic package comes with a wheeled travel bag and a rope and stake kit for convenient transport and secure installation.



OVERVIEW



- Inflatable tent frame with dye sublimated fabric graphic cover
- Available in 4m x 4m/13.1 ft x 13.1ft
- Tent and awning frames are made from Thermoplastic Polyurethane (TPU) material
- Tent frames and awnings have valves for inflation
 - Tent frames have a valve on each leg
 - Inflates in minutes via 800W electric air pump
 - Once frame is inflated the pump can be removed
 - Electric pump is included with graphic package and hardware only orders
- Tent graphic cover is removable and attaches to the tent frame with zippers and velcro strips at the base of the legs
- Graphic cover is pre-installed on frame prior to shipping on graphic package orders
- Tent frame is only available in black
- Available as Graphic Package, Graphic Only, and Hardware Only
- Backwall options are available
- Awning options are available
- Optional sand bags are available
- Graphic Package and Hardware Only options include Ropes & stake kits
- For indoor and outdoor use

TENT FRAME ANATOMY

Zipper Connection
Each opening of the tent frame is finished with zippers to attach awnings and backwalls

Backwall Grommets
Used for direct stake attachment

Awning Frame
Inflatable frame for awning entrance to help maintain its shape. There are additional support rods on the underside of the awning to keep the awning taut. Support rods slide into pole pockets won underside of the awning.

Overflow Valves
Located at the top of each tent leg to prevent frame from being over inflated.

Support Rods
Support rods slide into pole pockets on bottom side of awning. Rods & pole pockets are color coded for easy identification/installation

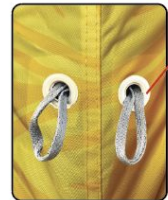
Inflation Valves
Located on each tent leg. Inflatable pump hose inserts here to inflate tent structure. Awning frame has 1 valve on each side.



800W Electric Pump

Requires (qty 1) 110V outlet to power
Includes hose + attachments to inflate tent frame

**For outdoor inflation of the frame where a power outlet is unavailable, we recommend utilizing a portable power generator to power the electric air pump. Alternatively, a power inverter for vehicle 12V outlets is also an effective solution.*



Upper Leg Loops
Ropes & Stakes tether to loops

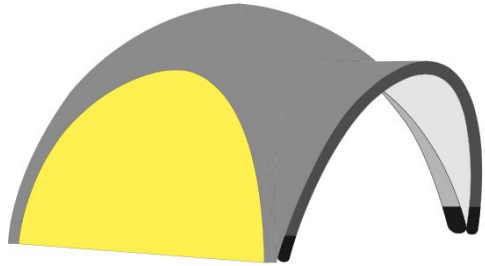


Leg Graphic Grommets
Located on bottom of tent leg graphic for direct stake attachment

Lower Straps
For attaching optional sand bags



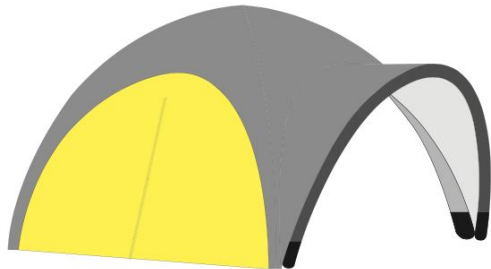
BACKWALLS



Backwall Full
Fully printed backwall



Backwall w/Window
Fully printed backwall
with TPU plastic window up top



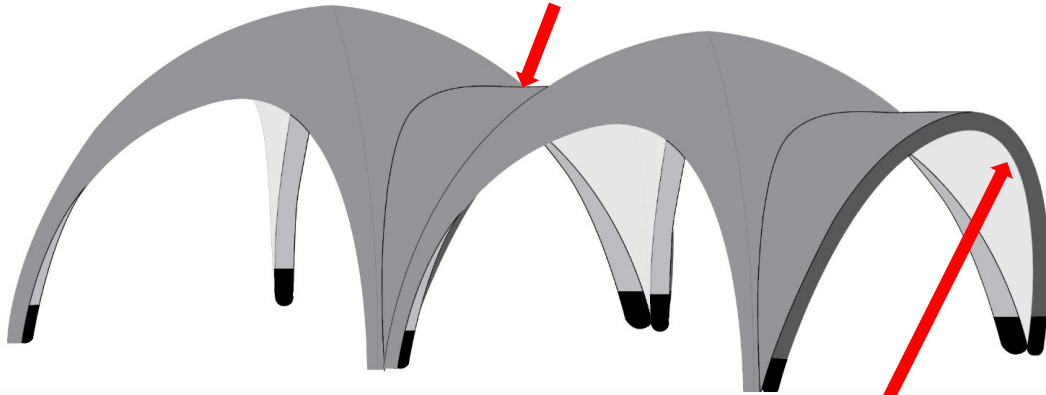
Backwall w/Zipper
Fully printed back wall with
zipper down the middle

- There are 3 backwall options for Casita Breeze
 - Backwall Full
 - Backwall with Window
 - Backwall with Zipper
- Single and double sided graphic options available
- Backwalls attach to the tent top graphics with zippers around tent leg openings
 - Casita Breeze Tent graphics are pre finished with zippers so backwalls can be added at a later time
- Backwalls can be attached to all 4 sides of the Casita Breeze
- Printed on same material as the tent top graphic
- There are grommets along the bottom of the backwalls for direct stake attachment

AWNING

Awning Connection

Connects 2 same size inflatable tents
Does not require any additional inflatable hardware



Awning

Includes inflatable frame for awning entrance to help maintain its shape. There are additional support rods on the underside of the awning to keep the awning taut. Support rods slide into pole pockets on underside of the awning.

- There are 2 awning options for Casita Breeze
 - Awning
 - Awning Connection
- Awnings attach to the tent top graphics with zippers around tent leg openings
 - Casita Breeze Tent graphics are pre finished with zippers so awnings can be added at a later time
- Support rods are added to underside of awning to maintain awning shape
- Awnings can be attached to all 4 sides of the Casita Breeze
- Printed on same material as the tent top
- Awning frame is only available in black
- Awning frame has 2 air inflation valves (1 on each end)
-

ADDITIONAL IMAGES



With Optional Backwall



With Optional Awning



w/Optional Awning & Backwall



With Optional Backwall

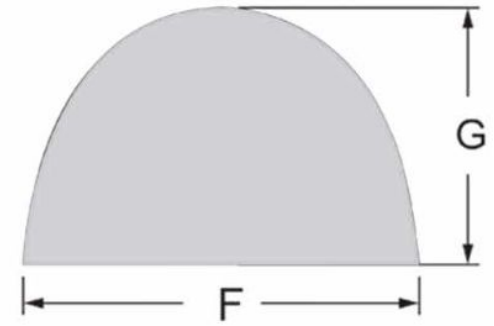
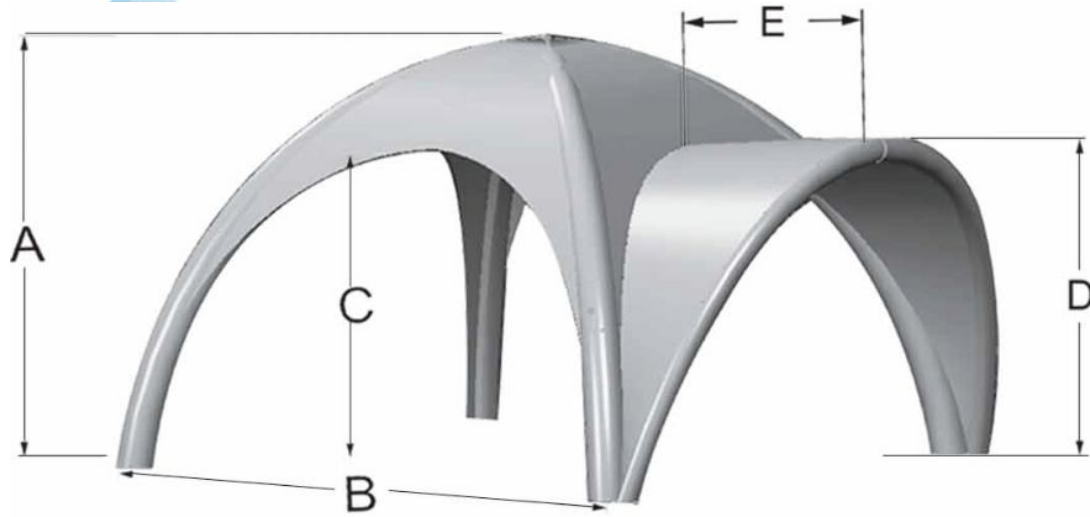


With Optional Awning



w/Optional Awning & Backwall

TENT DIMENSIONS



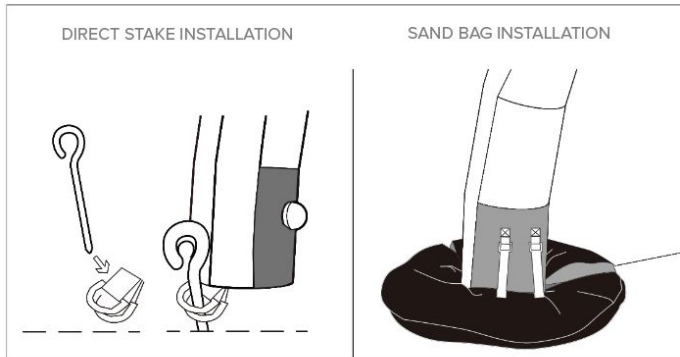
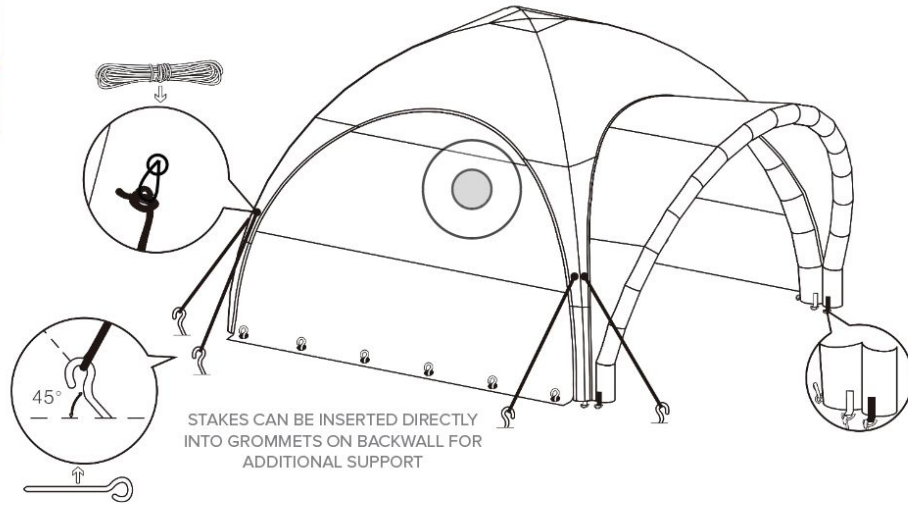
A	B	C	D	E	F	G
110.25"	157.5"	86.75"	93.75"	55.5"	148.5"	102"



TRAVEL BAG

- Travel Bag is included with Graphic Package and Hardware Only orders
- Inside Dimensions: 27" L x 15" W x 14.5" D
- Outside Dimensions: 32" L x 18" W x 16" D (Including Wheels)
- 4 wheels on the bottom
- 2 carry handles on sides
- 1 pull handle on back
- 1 large zipper pocket on front face of bag
- 1 small zipper pocket on left and right sides of bag between carry handles
- 1 small mesh pocket on inside of bag lid
- 2 straps in main compartment to secure contents during storage
- Travel bag will fit:
 - 1pc 4m x 4m Inflatable Tent Frame + Graphic
 - 1pc Electric Pump
 - 1pc Rope & Stake Kit
 - 1pc Backwall
 - 1pc Awning Graphic
 - 1pc Awning Frame
 - 1pc Awning Support Rode Kit

ROPES & STAKES



- Graphic Package & Hardware Only include a Rope & Stake Kit
- Rope & Stake Kit Includes:
 - (qty 8) Stakes
 - (qty 2) Rope Bundles
 - (qty 1) Drawstring Bag
- Stakes can be installed 2 ways (See image to left)
 - Directly into D rings at bottom of tent legs
 - Tethered to loops at mid point of tent leg
- Backwalls have grommets across the bottom for direct stake attachment
- Optional sandbags are available for additional weight
 - Sandbags strap to D rings at bottom of tent legs



Optional Sand Bags