

ASPEN SLIM BLACK FABRIC FRAME WALL MOUNTED

FRAME ASSEMBLY INSTRUCTIONS

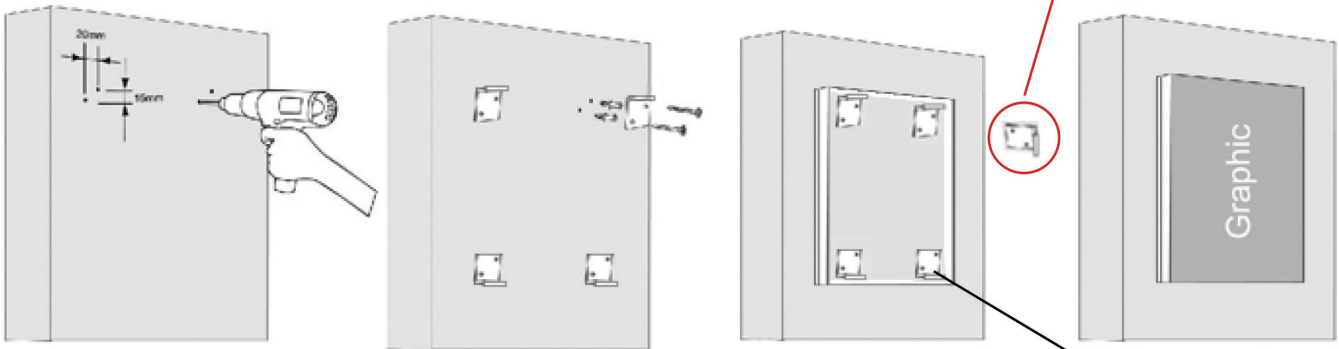


Corner Connector Installation

1. Align front lock plate with back pressure plate back to back
2. Slide the aligned pieces into the channel of the extrusion
3. Slide the adjacent extrusion onto the corner connector
4. Tighten screws with allen key
5. Repeat process for all sides

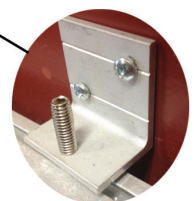


You can use the bracket along the vertical or horizontal section located on the inside of the frame.



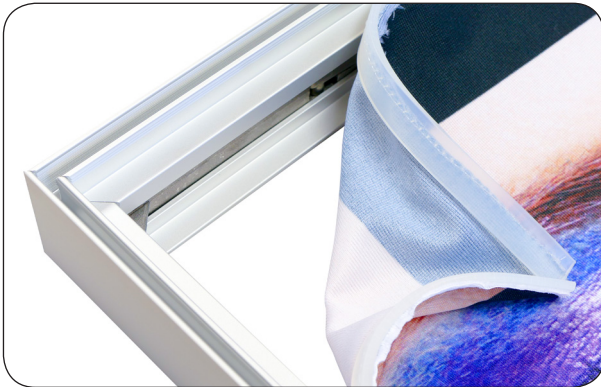
Wall Mount Installation

1. Screw 4 wall mounts to wall close enough for the threaded screw to be able to apply pressure to the frame
2. Use an allen key and tighten each screw apply pressure along each side of the frame
3. Install graphic

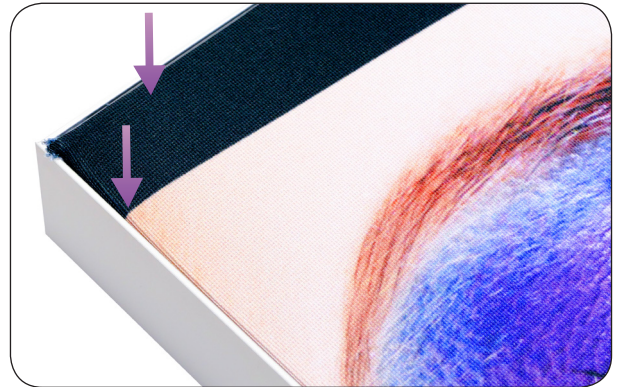


ASPEN SLIM BLACK FABRIC FRAME WALL MOUNTED

GRAPHIC INSTALLATION INSTRUCTIONS



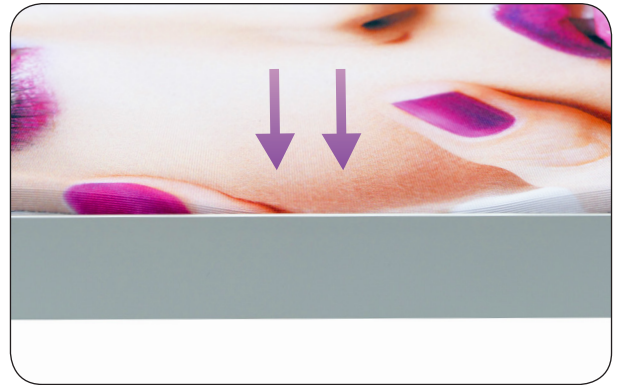
a. Locate the silicone edge beading, which is sewn onto the back of the perimeter of the graphic.



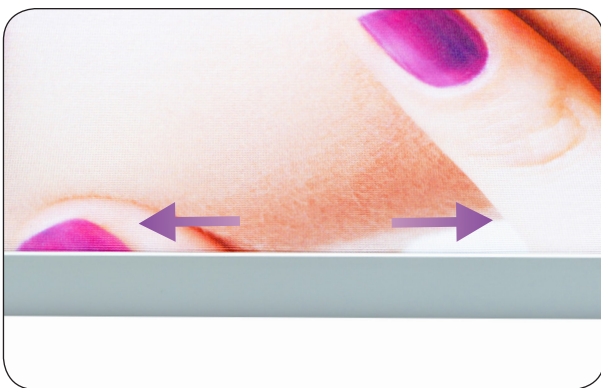
b. Insert the silicone edge beading into the silicone channel, starting at the corner.



c. At counter clockwise, continue to insert the silicone edge beading at each corner into the silicone channel.



d. Then push down from the middle.



e. Work your way toward the finished corners.



f. Repeat by installing the rest of the graphic counter clockwise. Complete graphic installation.