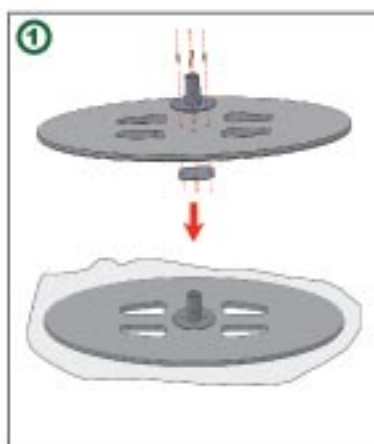


ACCESSORIES



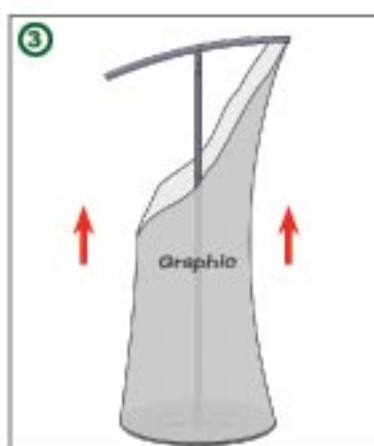
HOW TO INSTALL



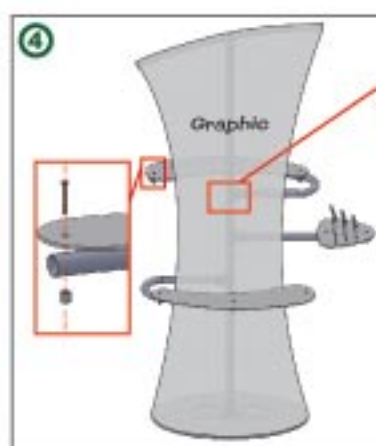
Put the base into the graphic



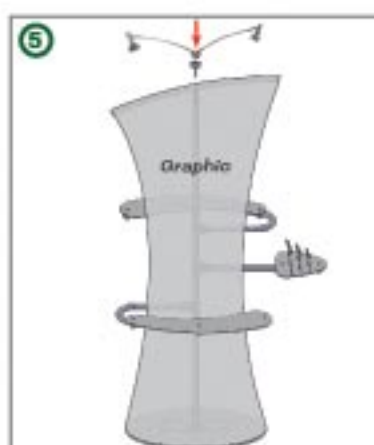
Connect the pipe of holder, then put it into the base



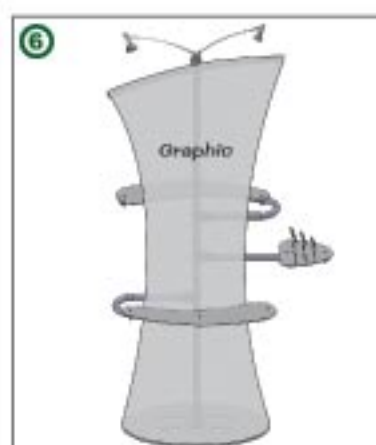
Assemble the graphic with the frame



Assemble the catalogue holder to the frame



Put the light on the top of the frame



Finish